

Sensor/Actuator cable - SAC-5P-MS/ 1,5-PUR/AD-2L SCO - 1435056

Please be informed that the data shown in this PDF Document is generated from our Online Catalog. Please find the complete data in the user's documentation. Our General Terms of Use for Downloads are valid (<http://download.phoenixcontact.com>)



Sensor/Actuator cable, 5-position, PUR halogen-free, Black RAL 9005, Plug straight M12 SPEEDCON, A-coded, on Valve connector AD (pressure switch), with 2 LEDs, Cable length: 1.5 m

Product Features

- ✓ Easy and safe: 100% electrically tested plug-in components
- ✓ Robust valve connector without protective circuit
- ✓ Save time, thanks to installation with SPEEDCON rapid interlock system
- ✓ Our standard: robust halogen-free PUR cable



Key commercial data

package_quantity	1
GTIN	4046356413428

Technical data

Dimensions

Length of cable	1.5 m
------------------------	-------

Ambient conditions

Ambient temperature (operation)	-25 °C ... 90 °C (Plug / socket)
Ambient temperature (operation)	-20 °C ... 85 °C (valve plug)
Degree of protection	IP65
Degree of protection	IP67

General

Rated current at 40°C	4 A
Rated voltage	24 V
Number of positions	5
Contact resistance	≤ 5 mΩ
Insulation resistance	≥ 100 MΩ
Coding	A - standard
Standards/regulations	M12 connector IEC 61076-2-101
Status display	2 LEDs

Sensor/Actuator cable - SAC-5P-MS/ 1,5-PUR/AD-2L SCO - 1435056

Technical data

General

Protective circuit/component	Unwired
Surge voltage category	II
Pollution degree	3
Insertion/withdrawal cycles	≥ 100 (M12 connector)
Torque	0.4 Nm (M12 connector)
Torque	0.6 Nm (Valve connector)

Material

Inflammability class according to UL 94	V0
Contact material	CuSn
Contact surface material	Ni/Au
Contact carrier material	TPU GF
Material of grip body	TPU
Valve plug contact material	CuSn
Valve plug contact surface material	Sn
Valve plug contact insert material	PA 6
Material housing valve plug	TPU
Material, knurls	Zinc die-cast, nickel-plated
Sealing material	TPU (Seal molded)

Cable

Cable type	PUR halogen-free black
Cable type (abbreviation)	PUR
Cable abbreviation	Li9Y11Y-HF
UL AWM style	20549
Conductor cross section	5x 0.5 mm ²
AWG signal line	20
Conductor structure signal line	28x 0.15 mm
Core diameter including insulation	1.5 mm ±0.05 mm (signal line)
Wire colors	Black 1, black 2, black 3, black 4, green/yellow
Overall twist	5 cores, twisted
External sheath, color	Black-gray RAL 7021
External cable diameter D	5.3 mm ±0.02 mm
Smallest bending radius, fixed installation	26.5 mm
Smallest bending radius, movable installation	53 mm
Number of bending cycles	15000000
Bending radius	50 mm
Traversing path	0.9 m
Traversing rate	5 m/s
Acceleration	30 m/s ²
Outer sheath, material	PUR

Sensor/Actuator cable - SAC-5P-MS/ 1,5-PUR/AD-2L SCO - 1435056

Technical data

Cable

Material conductor insulation	PP
Conductor material	Bare Cu litz wires
Insulation resistance	min. 20 MΩ*km
Conductor resistance	39 Ω/km (at 20 °C)
Nominal voltage, cable	300 V
Test voltage, cable	1200 V
Special properties	Flexible cable conduit capable
Special properties	Silicone-free
Special properties	Free of substances which would hinder coating with paint or varnish
Flame resistance	in accordance with DIN UL-Style 20549
Halogen-free	in accordance with DIN VDE 0472 part 815
Resistance to oil	in accordance with DIN EN 60811-2-1
Other resistance	Highly resistant to acids, alkaline solutions and solvents
Other resistance	hydrolysis and microbe resistant
Other resistance	Largely oil-resistant
Other resistance	partly UV-resistant in accordance with DIN EN ISO 4892-2-A
Ambient temperature (operation)	-40 °C ... 80 °C (cable, fixed installation)
Ambient temperature (operation)	-20 °C ... 80 °C (cable, flexible installation)

classifications

eCl@ss

eCl@ss 4.0	27060306
eCl@ss 4.1	27060306
eCl@ss 5.0	27061801
eCl@ss 5.1	27061801
eCl@ss 6.0	27061801
eCl@ss 7.0	27061801
eCl@ss 8.0	27061801

ETIM

ETIM 3.0	EC001855
ETIM 4.0	EC001855
ETIM 5.0	EC001855

UNSPSC

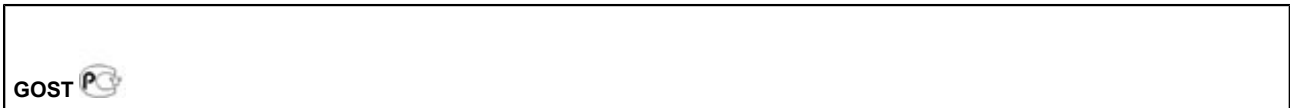
UNSPSC 6.01	31251501
UNSPSC 7.0901	31251501
UNSPSC 11	31251501
UNSPSC 12.01	31251501
UNSPSC 13.2	31251501

Sensor/Actuator cable - SAC-5P-MS/ 1,5-PUR/AD-2L SCO - 1435056

approvals

GOST /

Approval details



accessories

Mounting material

SAC-V-SCREW-M3-29 KNURL - 1403779



Screwdriver tools

SF-BIT-PH 1-70 - 1212582



TSD-M SAC-BIT ADAPTER - 1212600



SAC BIT M12-D15 - 1208432



Sensor/Actuator cable - SAC-5P-MS/ 1,5-PUR/AD-2L SCO - 1435056

accessories

Protective cap

PROT-M12 FS-PA-CHAIN - 1430873



Safety locking

SAC-M12-EXCLIP-M - 1558988



Conductor marking

PABA WH/15 - 1013151



PABA YE/15 - 1013698



Sensor/Actuator cable - SAC-5P-MS/ 1,5-PUR/AD-2L SCO - 1435056

accessories

PABA RD/15 - 1013944



Marker carrier cable

PATO 2/15 - 1013122



PATO 3/15 - 1013135



PATO 4/15 - 1013148



Marker pen

B-STIFT - 1051993



Sensor/Actuator cable - SAC-5P-MS/ 1,5-PUR/AD-2L SCO - 1435056

accessories

Torque tool

TSD 04 SAC - 1208429

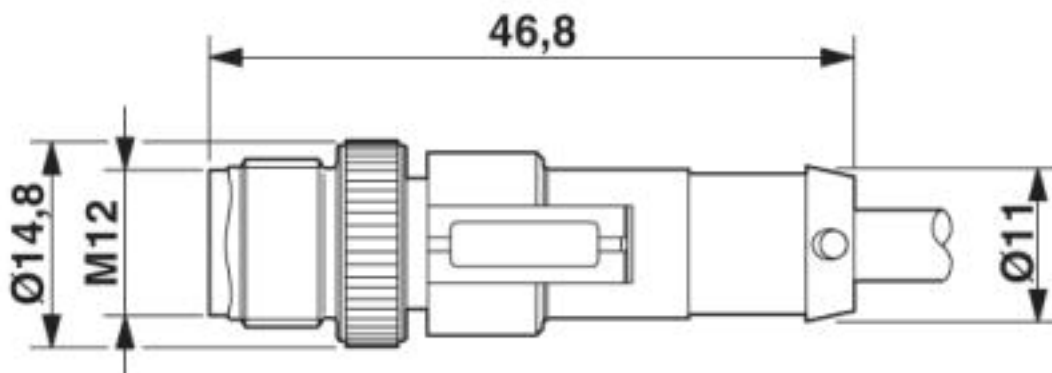


TSD-M 1,2NM - 1212224



Drawings

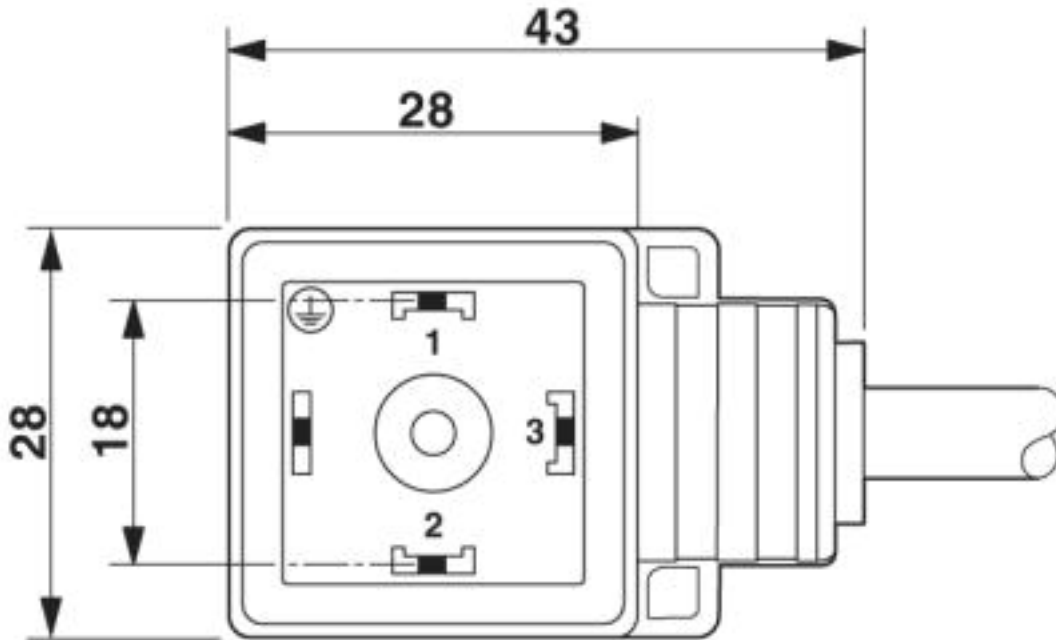
Dimensioned drawing



M12 SPEEDCON plug, straight

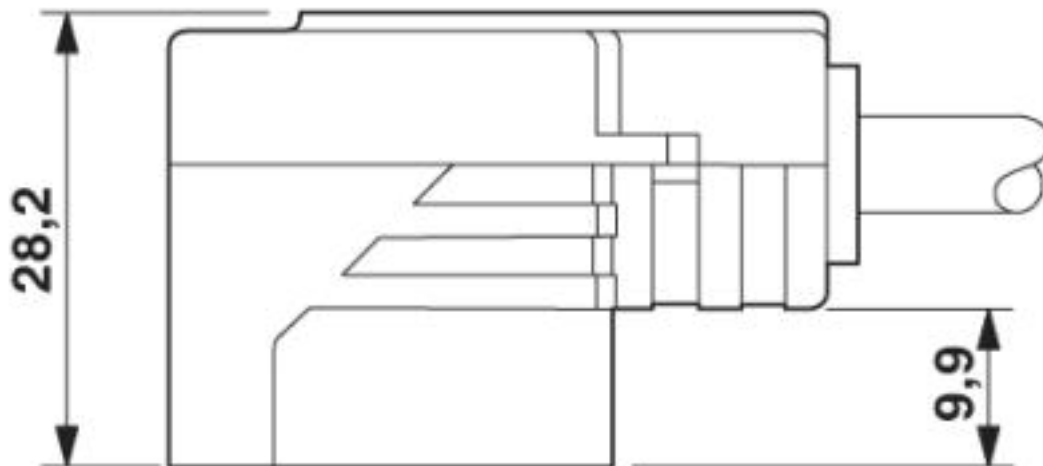
Sensor/Actuator cable - SAC-5P-MS/ 1,5-PUR/AD-2L SCO - 1435056

Dimensioned drawing



Valve connector, type AD

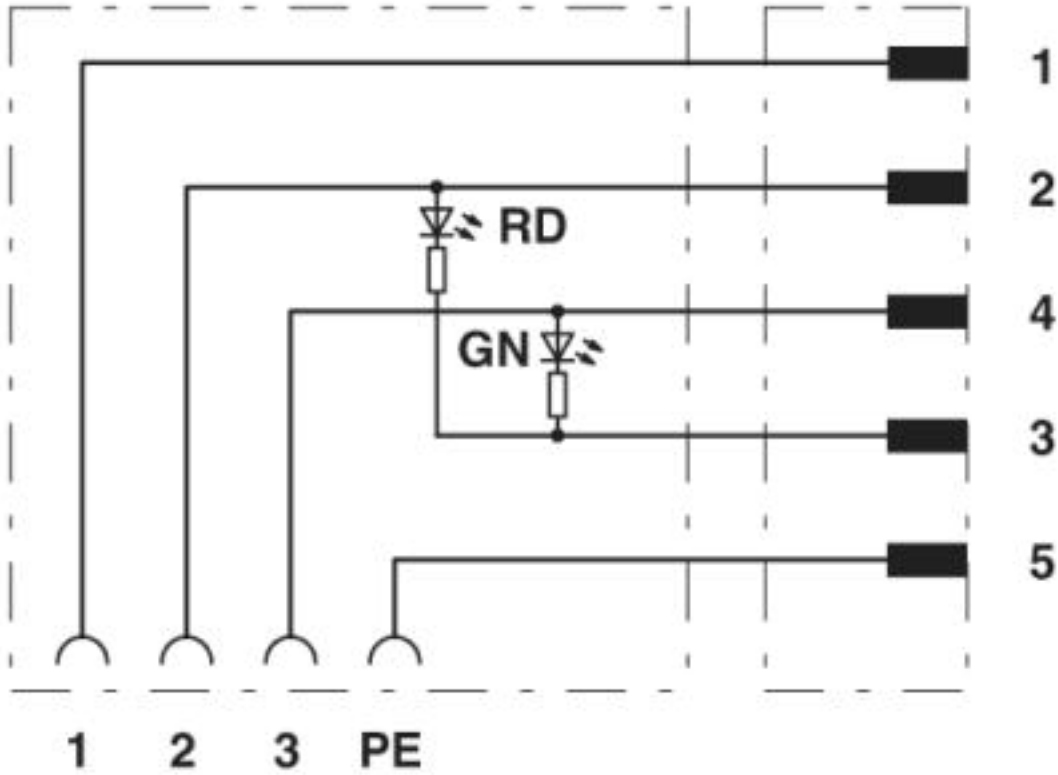
Dimensioned drawing



Valve connector, type AD, side view

Sensor/Actuator cable - SAC-5P-MS/ 1,5-PUR/AD-2L SCO - 1435056

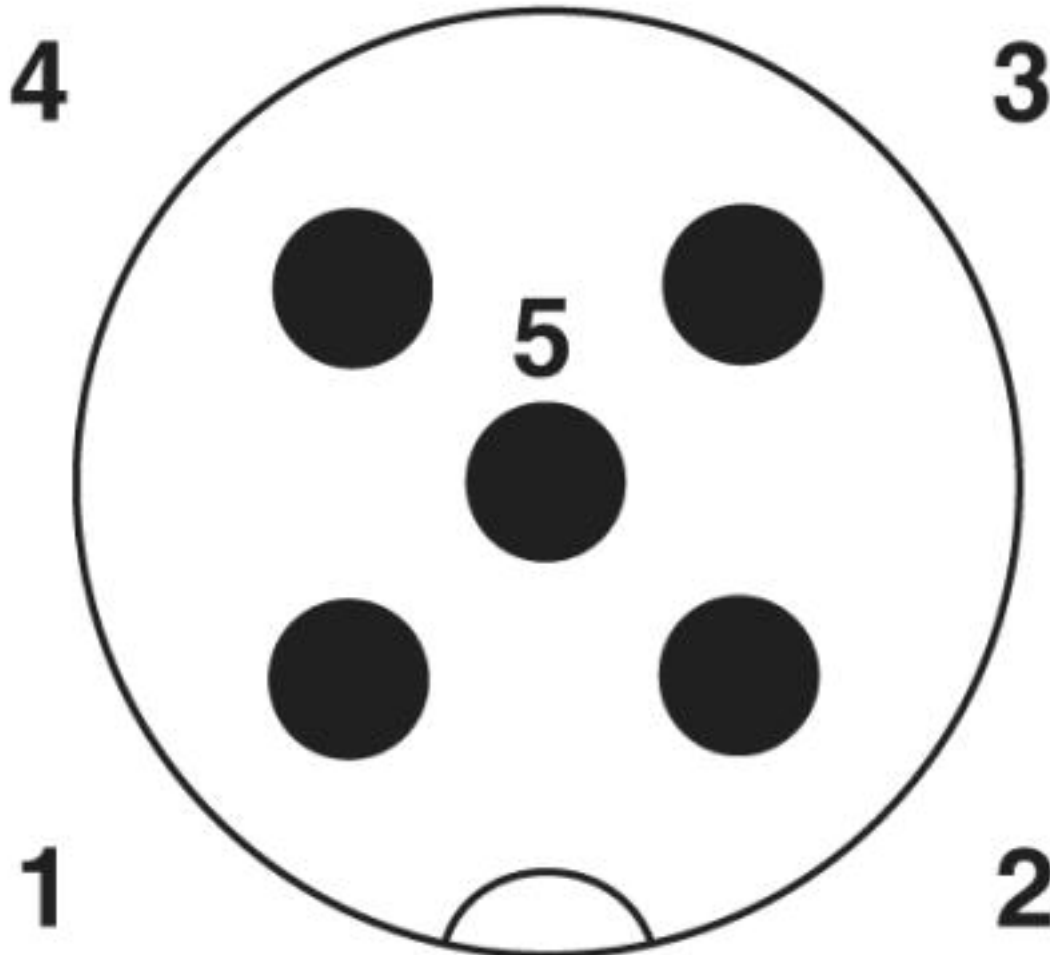
Circuit diagram



Contact assignment of M12 plug and valve connector

Sensor/Actuator cable - SAC-5P-MS/ 1,5-PUR/AD-2L SCO - 1435056

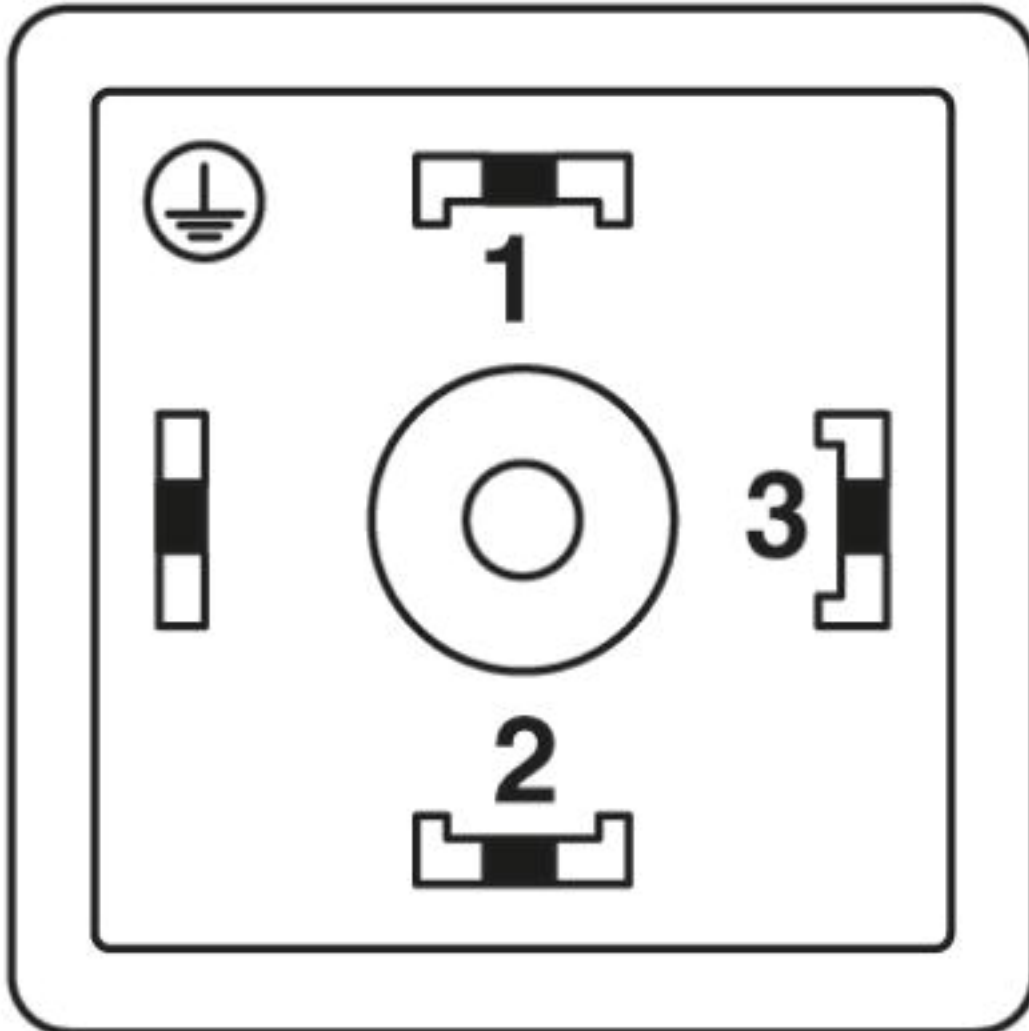
Schematic diagram



Pin assignment M12 male connector, 5-pos., A-coded, male side

Sensor/Actuator cable - SAC-5P-MS/ 1,5-PUR/AD-2L SCO - 1435056

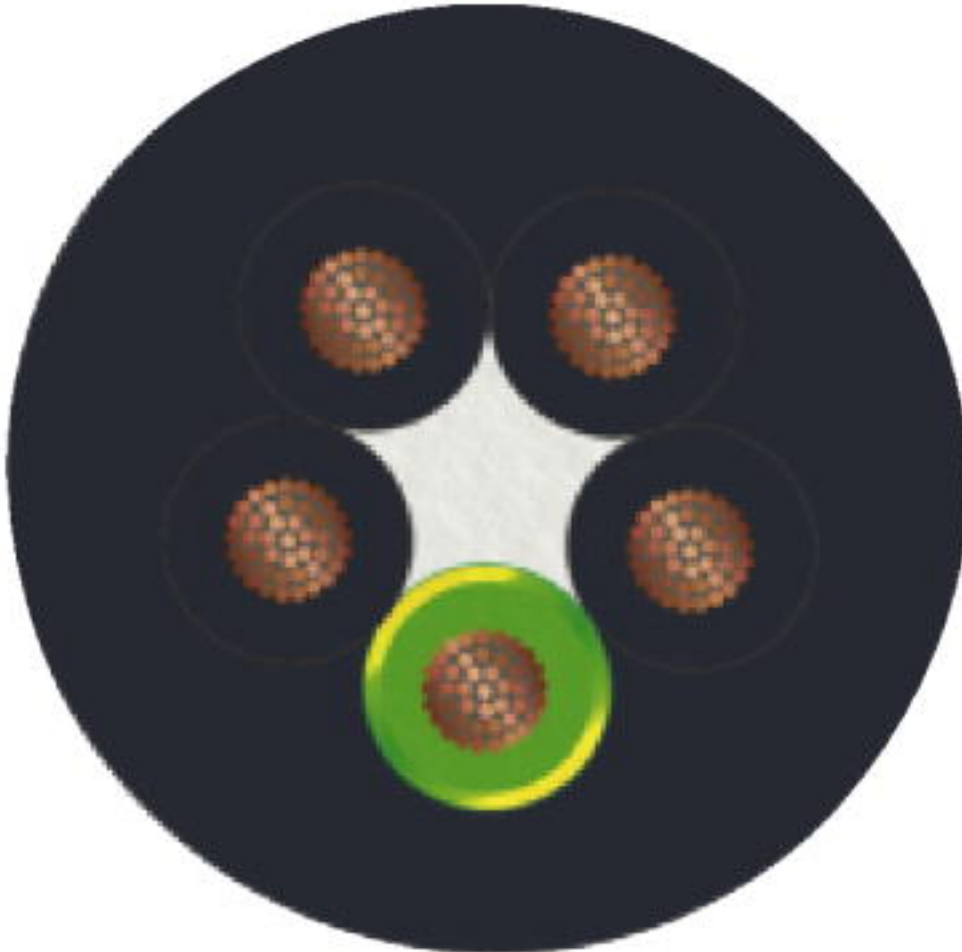
Schematic diagram



Valve plug connector pin assignment, type AD

Sensor/Actuator cable - SAC-5P-MS/ 1,5-PUR/AD-2L SCO - 1435056

Cable cross section



PUR halogen-free black [PUR]

© Phoenix Contact 2013 - all rights reserved
<http://www.phoenixcontact.com>