

# Connector - SACC-M12MR-12SOL-PG 9-M SH - 1404412

Please be informed that the data shown in this PDF Document is generated from our Online Catalog. Please find the complete data in the user's documentation. Our General Terms of Use for Downloads are valid (<http://download.phoenixcontact.com>)



Connector, Universal, 12-position, shielded, Plug angled M12, A-coded, Solder connection, Knurl material: Zinc die-cast, nickel-plated, Cable gland Pg9, External cable diameter 6 mm ... 8 mm

## Product Features

- Safe use in the field, thanks to a high degree of protection
- Flexible: connectors for on-site assembly
- Save space – with high-pos. connectors
- Reliable signal transmission - 360° shielding in environments with electromagnetic interference

## Key commercial data

package_quantity	1
GTIN	4046356693851

## Technical data

### Dimensions

External diameter	6 mm ... 8 mm
-------------------	---------------

### Ambient conditions

Ambient temperature (operation)	-40 °C ... 85 °C (Plug / socket)
Degree of protection	IP67

### General

Rated current at 40°C	1 A
Rated voltage	30 V
Number of positions	12
Contact resistance	≤ 3 mΩ
Insulation resistance	> 10 GΩ
Coding	A - standard
Standards/regulations	M12 connector IEC 61076-2-101
Signal type/category	Universal
Status display	No
Surge voltage category	II
Pollution degree	3
Connection method	Solder connection
Conductor cross section	0.08 mm <sup>2</sup> ... 0.25 mm <sup>2</sup>
AWG conductor cross section	30 ... 24

## Connector - SACC-M12MR-12SOL-PG 9-M SH - 1404412

### Technical data

#### General

<b>Insertion/withdrawal cycles</b>	≥ 100
<b>Torque</b>	0.4 Nm (M12 knurl)
<b>Assembly instructions</b>	The connector pin assignment can be rotated 90° to the cable outlet

#### Material

<b>Contact material</b>	CuSn
<b>Contact surface material</b>	Au
<b>Contact carrier material</b>	PA
<b>Material of grip body</b>	Zinc die-cast, nickel-plated
<b>Material, knurls</b>	Zinc die-cast, nickel-plated

### classifications

#### eCl@ss

<b>eCl@ss 4.0</b>	27140815
<b>eCl@ss 4.1</b>	27140815
<b>eCl@ss 5.0</b>	27143423
<b>eCl@ss 5.1</b>	27143423
<b>eCl@ss 6.0</b>	27279221
<b>eCl@ss 7.0</b>	27440104
<b>eCl@ss 8.0</b>	27440104

#### ETIM

<b>ETIM 3.0</b>	EC002062
<b>ETIM 4.0</b>	EC002062
<b>ETIM 5.0</b>	EC002062

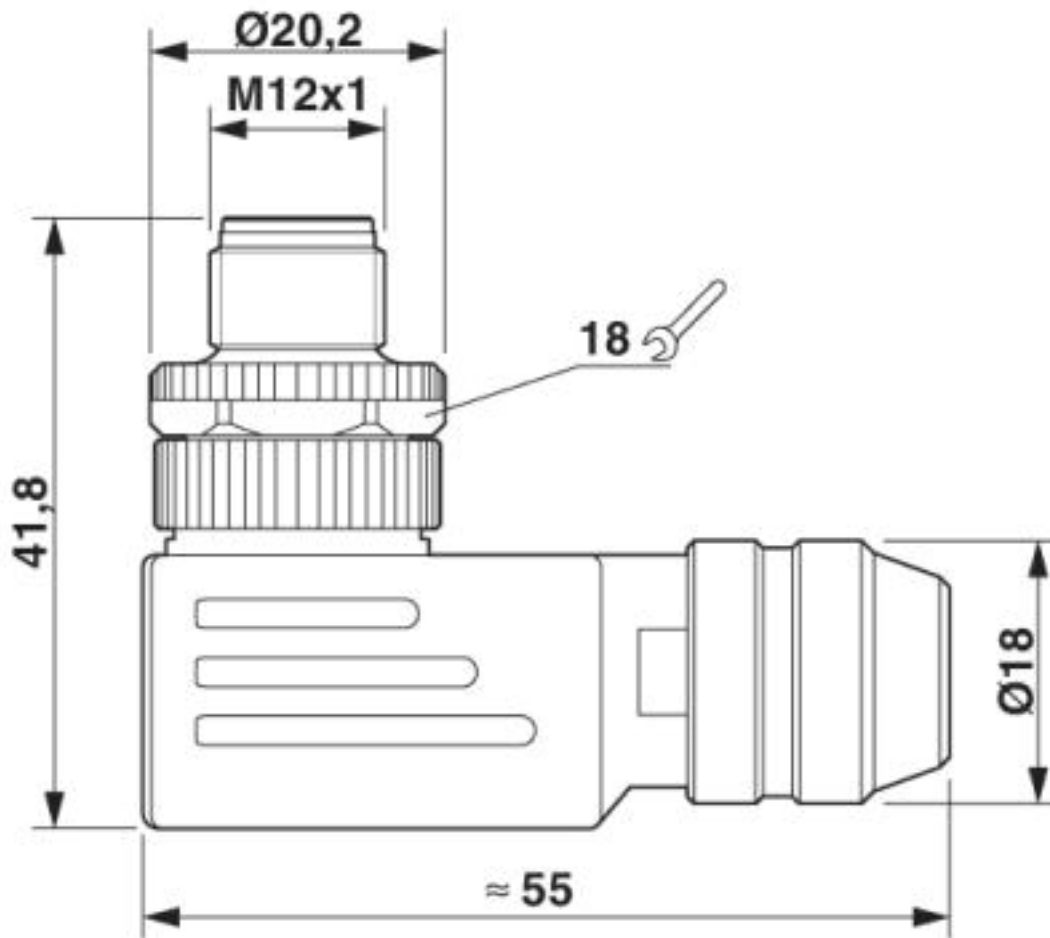
#### UNSPSC

<b>UNSPSC 6.01</b>	30211824
<b>UNSPSC 7.0901</b>	39121413
<b>UNSPSC 11</b>	39121413
<b>UNSPSC 12.01</b>	39121413
<b>UNSPSC 13.2</b>	39121413

### Drawings

# Connector - SACC-M12MR-12SOL-PG 9-M SH - 1404412

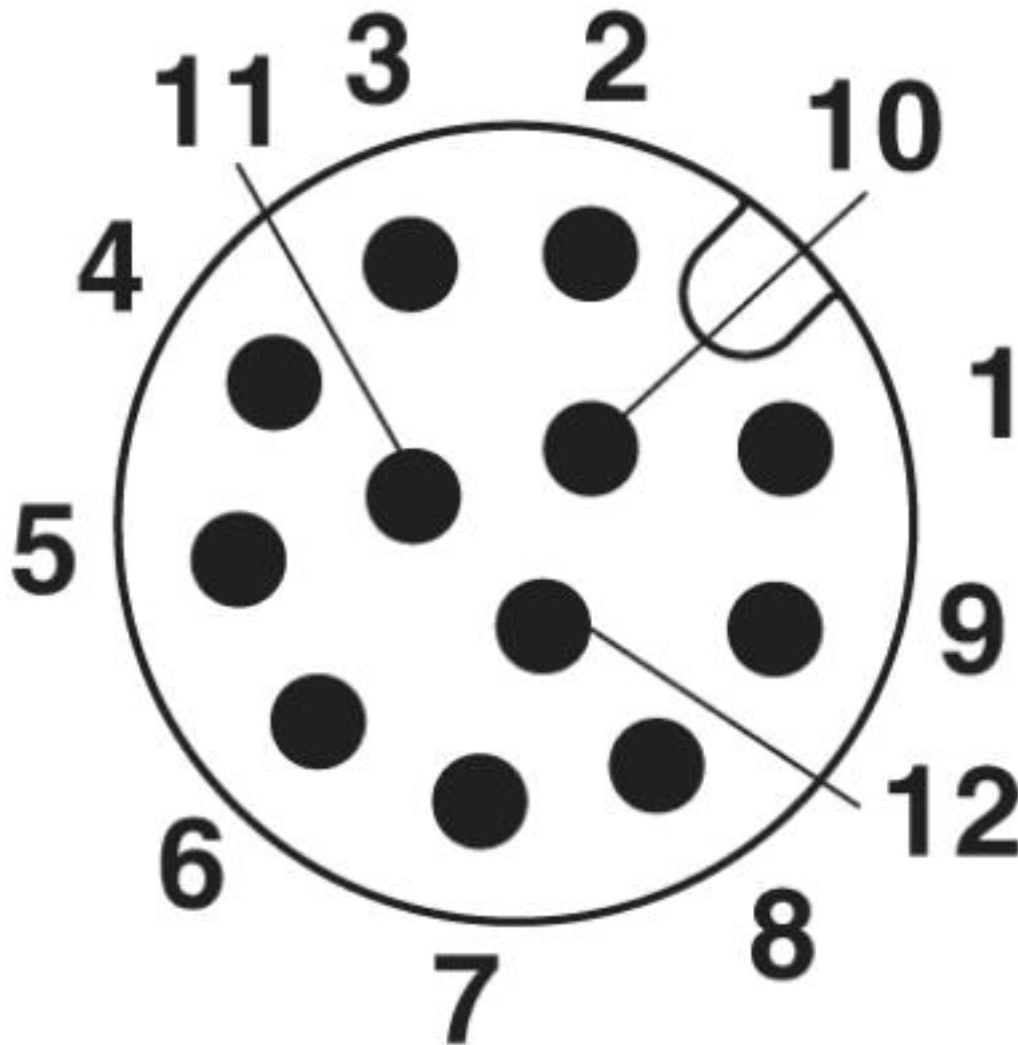
Dimensioned drawing



M12 x 1 male plug, angled, shielded

## Connector - SACC-M12MR-12SOL-PG 9-M SH - 1404412

Schematic diagram



Pin assignment of M12 male connector, 12-pos., A-coded, view of pin side

© Phoenix Contact 2013 - all rights reserved  
<http://www.phoenixcontact.com>