

# Panel feed-through - SACC-DSI-FS-5CON-PG 9/0,5 SCO - 1542729

Please be informed that the data shown in this PDF Document is generated from our Online Catalog. Please find the complete data in the user's documentation. Our General Terms of Use for Downloads are valid (<http://download.phoenixcontact.com>)



Sensor/actuator flush-type socket, 5-pos., M12 SPEEDCON, A-coded, rear/screw mounting with Pg9 thread, with 0.5 m TPE litz wire, 5 x 0.34 mm<sup>2</sup>



## Key commercial data

package_quantity	1
GTIN	4046356097734

## Technical data

### Dimensions

Length of cable	0.5 m
-----------------	-------

### Ambient conditions

Ambient temperature (operation)	-25 °C ... 85 °C (Plug / socket)
Degree of protection	IP67

### General

Rated current at 40°C	4 A
Rated voltage	60 V
Number of positions	5
Contact resistance	≤ 3 mΩ
Insulation resistance	≥ 100 MΩ
Coding	A - standard
Standards/regulations	M12 connector IEC 61076-2-101
Status display	No
Surge voltage category	III
Pollution degree	3
Connection method	Individual wires
Mounting type	Rear mounting Pg9 With flat nut

### Material

Inflammability class according to UL 94	V0
Contact material	CuZn

# Panel feed-through - SACC-DSI-FS-5CON-PG 9/0,5 SCO - 1542729

## Technical data

### Material

<b>Contact surface material</b>	Au
<b>Contact carrier material</b>	PA 66
<b>Material, knurls</b>	Zinc die-cast, nickel-plated
<b>Sealing material</b>	FKM

### Cable

<b>Cable type</b>	TPE litz wire
<b>Conductor cross section</b>	0.34 mm <sup>2</sup>
<b>AWG signal line</b>	22
<b>Conductor structure signal line</b>	7x 0.25 mm
<b>Core diameter including insulation</b>	1.2 mm ±0.07 mm
<b>Thickness, insulation</b>	0.21 mm
<b>Wire colors</b>	Black, brown, blue, white, gray
<b>Material conductor insulation</b>	TPE
<b>Conductor material</b>	Tin-plated Cu litz wires
<b>Insulation resistance</b>	≥ 20 MΩ*km
<b>Conductor resistance</b>	≤ 57.6 mΩ/m
<b>Nominal voltage, cable</b>	300 V
<b>Test voltage, cable</b>	2000 V AC
<b>Ambient temperature (operation)</b>	-25 °C ... 85 °C (cable, fixed installation)

## classifications

### eCl@ss

<b>eCl@ss 4.0</b>	27140815
<b>eCl@ss 4.1</b>	27140815
<b>eCl@ss 5.0</b>	27143423
<b>eCl@ss 5.1</b>	27143423
<b>eCl@ss 6.0</b>	27143423
<b>eCl@ss 7.0</b>	27449001
<b>eCl@ss 8.0</b>	27449001

### ETIM

<b>ETIM 2.0</b>	EC001297
<b>ETIM 3.0</b>	EC002061
<b>ETIM 4.0</b>	EC002062
<b>ETIM 5.0</b>	EC002062

### UNSPSC

<b>UNSPSC 6.01</b>	31261501
<b>UNSPSC 7.0901</b>	31261501
<b>UNSPSC 11</b>	31261501

# Panel feed-through - SACC-DSI-FS-5CON-PG 9/0,5 SCO - 1542729

## classifications

### UNSPSC

<b>UNSPSC 12.01</b>	31261501
<b>UNSPSC 13.2</b>	31261501

## approvals

UL Recognized / GOST / GOST /

### Approval details

<b>UL Recognized</b>	
Nominal voltage UN	60 V
Nominal current IN	4 A
mm <sup>2</sup> /AWG/kcmil	26-20

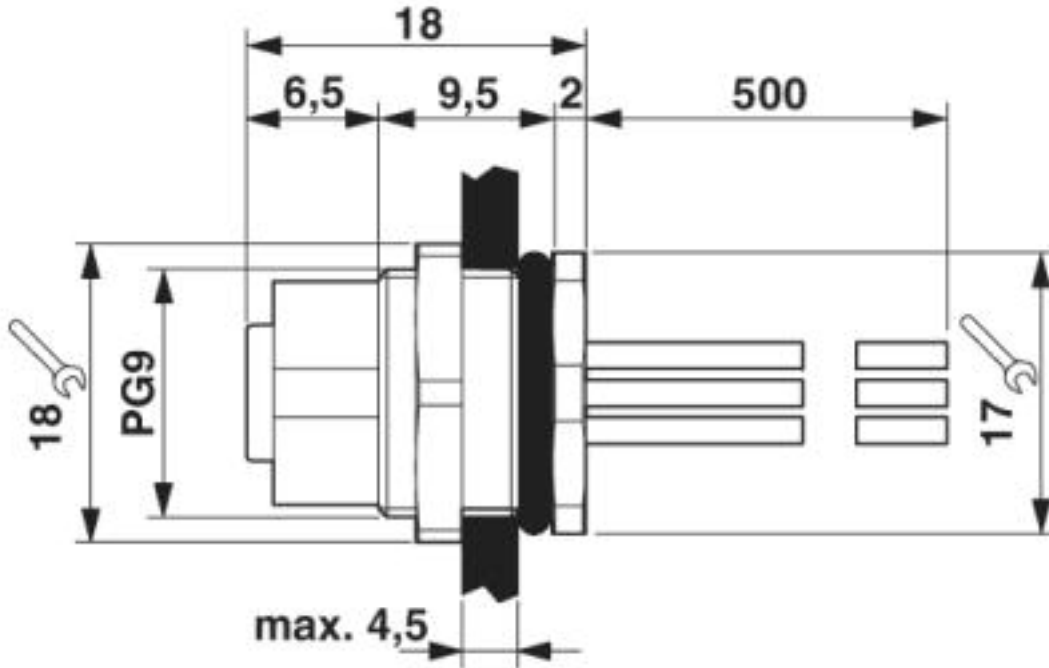
<b>GOST</b>
-------------

--

## Drawings

# Panel feed-through - SACC-DSI-FS-5CON-PG 9/0,5 SCO - 1542729

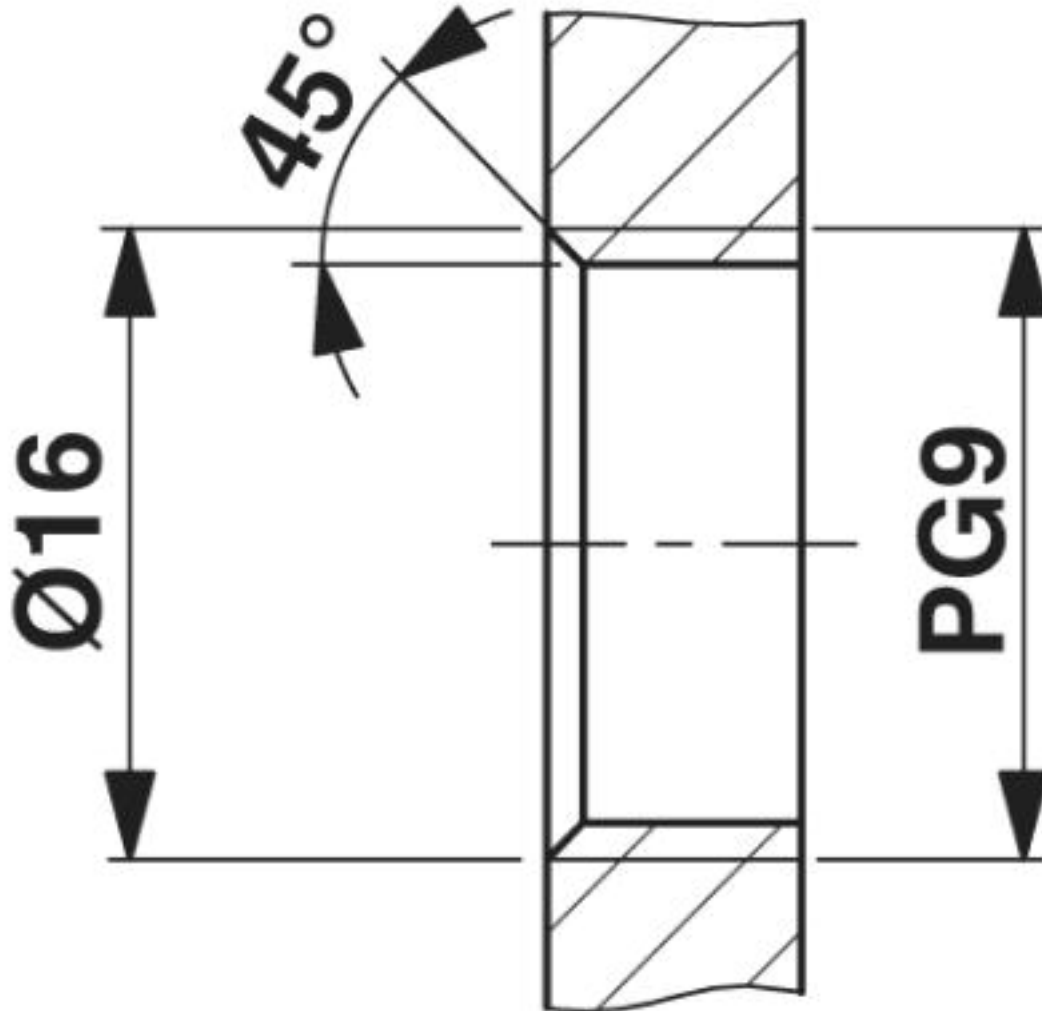
Dimensioned drawing



M12 flush-type connector

# Panel feed-through - SACC-DSI-FS-5CON-PG 9/0,5 SCO - 1542729

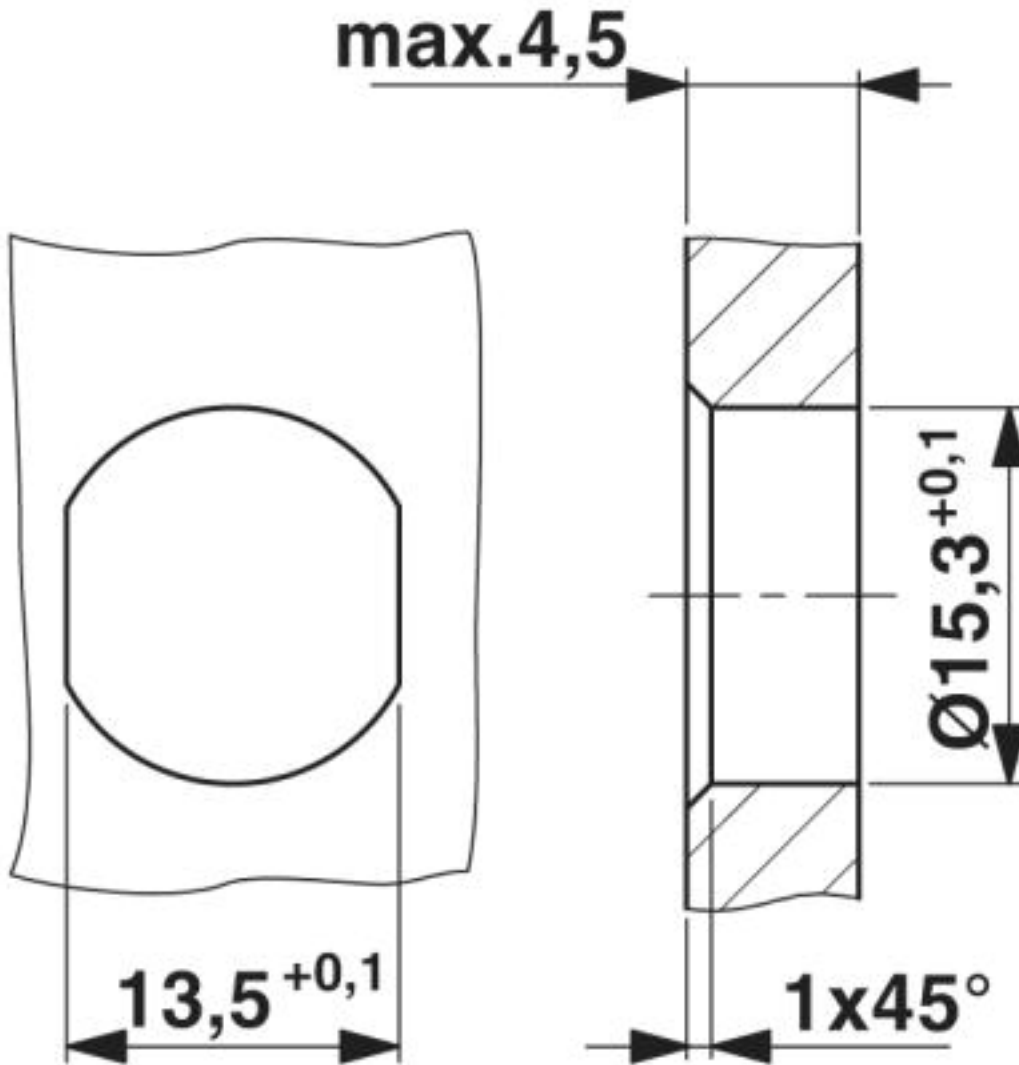
Dimensioned drawing



Housing cutout for Pg9 fastening thread, mounting panel with thread

# Panel feed-through - SACC-DSI-FS-5CON-PG 9/0,5 SCO - 1542729

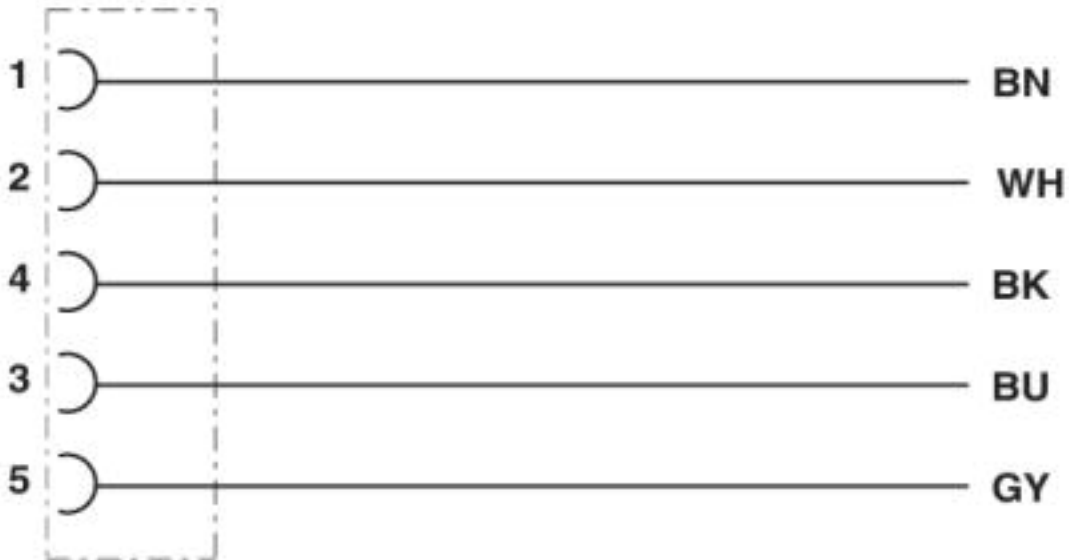
Dimensioned drawing



Housing cutout for Pg9 fastening thread, mounting panel with feed-through hole (alternatively with surface as protection against rotation)

# Panel feed-through - SACC-DSI-FS-5CON-PG 9/0,5 SCO - 1542729

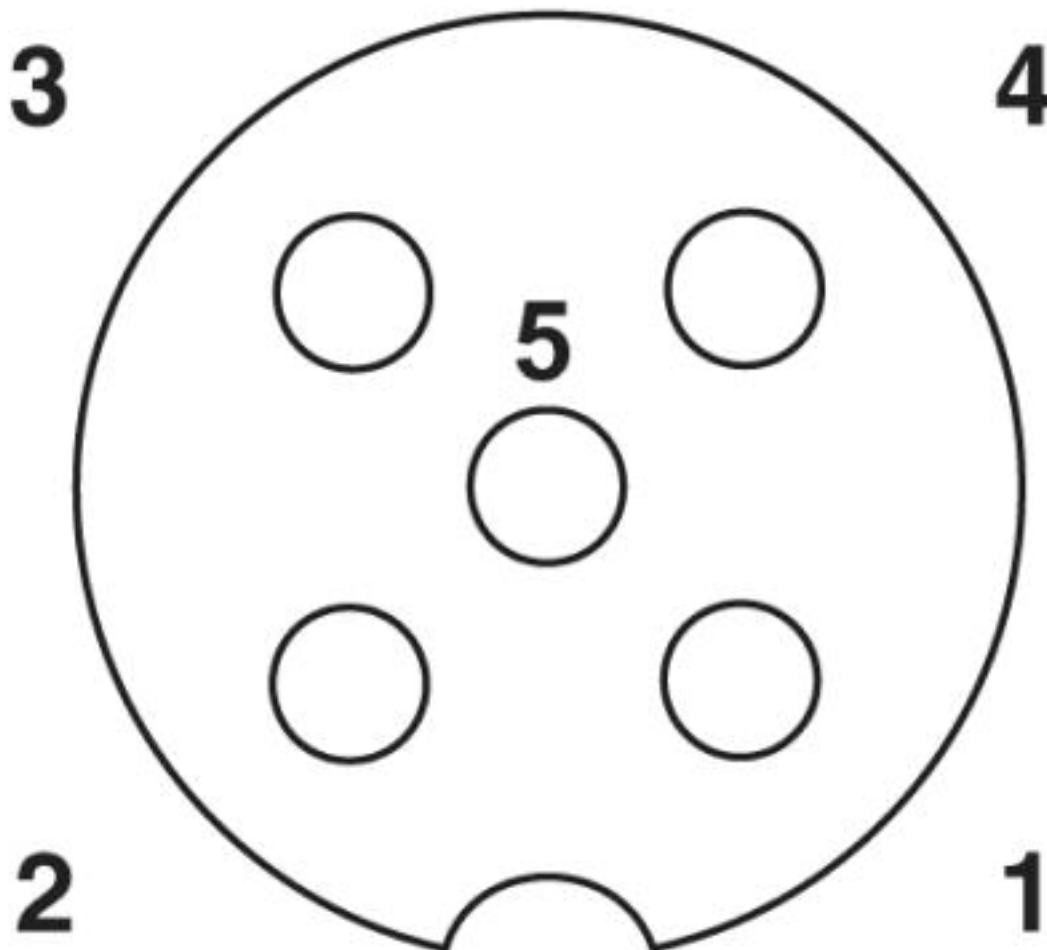
Circuit diagram



Contact assignment of the M12 socket

# Panel feed-through - SACC-DSI-FS-5CON-PG 9/0,5 SCO - 1542729

Schematic diagram



Pin assignment M12 socket, 5-pos., A-coded, socket side view

© Phoenix Contact 2013 - all rights reserved  
<http://www.phoenixcontact.com>