

Sensor/actuator connector - SACC-M 8FS-4QO-0,5-M - 1441079

Please be informed that the data shown in this PDF Document is generated from our Online Catalog. Please find the complete data in the user's documentation. Our General Terms of Use for Downloads are valid (<http://download.phoenixcontact.com>)



Sensor/actuator connector, 4-position, Socket straight M8, A-coded, Insulation displacement connection, Knurl material: Zinc die-cast, nickel-plated, External cable diameter 2.5 mm ... 5 mm

Product Features

- Safe use in the field, thanks to a high degree of protection
- Flexible: connectors for on-site assembly
- Insulation displacement connection: innovative and time-saving assembly without stripping the single wire

Key commercial data

package_quantity	1
GTIN	4046356515962

Technical data

Dimensions

External diameter	2.5 mm ... 5 mm ± 0.2 mm
Stripping length of the sheath	40 mm

Ambient conditions

Ambient temperature (operation)	-25 °C ... 80 °C (Plug / socket)
Degree of protection	IP65
Degree of protection	IP67

General

Rated current at 40°C	4 A
Rated voltage	30 V
Number of positions	4
Contact resistance	≤ 5 mΩ
Insulation resistance	≥ 100 MΩ
Coding	A - standard
Standards/regulations	M8 connector IEC 61076-2-104
Status display	No
Surge voltage category	II
Pollution degree	3
Connection method	Insulation displacement connection
Conductor cross section	0.25 mm ² ... 0.5 mm ²
AWG conductor cross section	24 ... 20

Sensor/actuator connector - SACC-M 8FS-4QO-0,5-M - 1441079

Technical data

General

Wire diameter including insulation	0.75 mm ... 1.5 mm ±0.05 mm
Frequency of connections between conductors of the same cross section	10
Wire insulation material	PVC/PE/PP
Structure of individual litz in acc. with VDE 0295 / smallest wire diameter	Class 2-6
Insertion/withdrawal cycles	≥ 100
Torque	0.6 Nm (Pressure nut)
Torque	0.2 Nm (M8 knurl)

Material

Inflammability class according to UL 94	HB
Contact material	CuSn
Contact surface material	Ni/Au
Contact carrier material	TPU GF
Material of grip body	PA 6
Material, knurls	Zinc die-cast, nickel-plated
Sealing material	NBR

classifications

eCl@ss

eCl@ss 4.0	27140815
eCl@ss 4.1	27140815
eCl@ss 5.0	27143423
eCl@ss 5.1	27143423
eCl@ss 6.0	27279221
eCl@ss 7.0	27440104
eCl@ss 8.0	27440104

ETIM

ETIM 2.0	EC001121
ETIM 3.0	EC002062
ETIM 4.0	EC002062
ETIM 5.0	EC002062

UNSPSC

UNSPSC 6.01	30211824
UNSPSC 7.0901	39121413
UNSPSC 11	39121413
UNSPSC 12.01	39121413
UNSPSC 13.2	39121413

Sensor/actuator connector - SACC-M 8FS-4QO-0,5-M - 1441079

approvals

UL Recognized / cUL Recognized / GOST / cULus Recognized /

Approval details

UL Recognized	
Nominal voltage UN	29 V
Nominal current IN	4 A
mm ² /AWG/kcmil	24-20

cUL Recognized	
Nominal voltage UN	29 V
Nominal current IN	4 A
mm ² /AWG/kcmil	24-20

GOST

cULus Recognized

accessories

Torque tool

TSD 02 SAC - 1208487



Sensor/actuator connector - SACC-M 8FS-4QO-0,5-M - 1441079

accessories

TSD-M 1,2NM - 1212224



Screwdriver tools

SAC BIT M8-D10 - 1208461



TSD-M SAC-BIT ADAPTER - 1212600



Protective cap

PROT-M 8 MS-PA-CHAIN - 1430860



Cable by the meter

SAC-4P-100,0-PUR/0,25 - 1501692



Sensor/actuator connector - SACC-M 8FS-4QO-0,5-M - 1441079

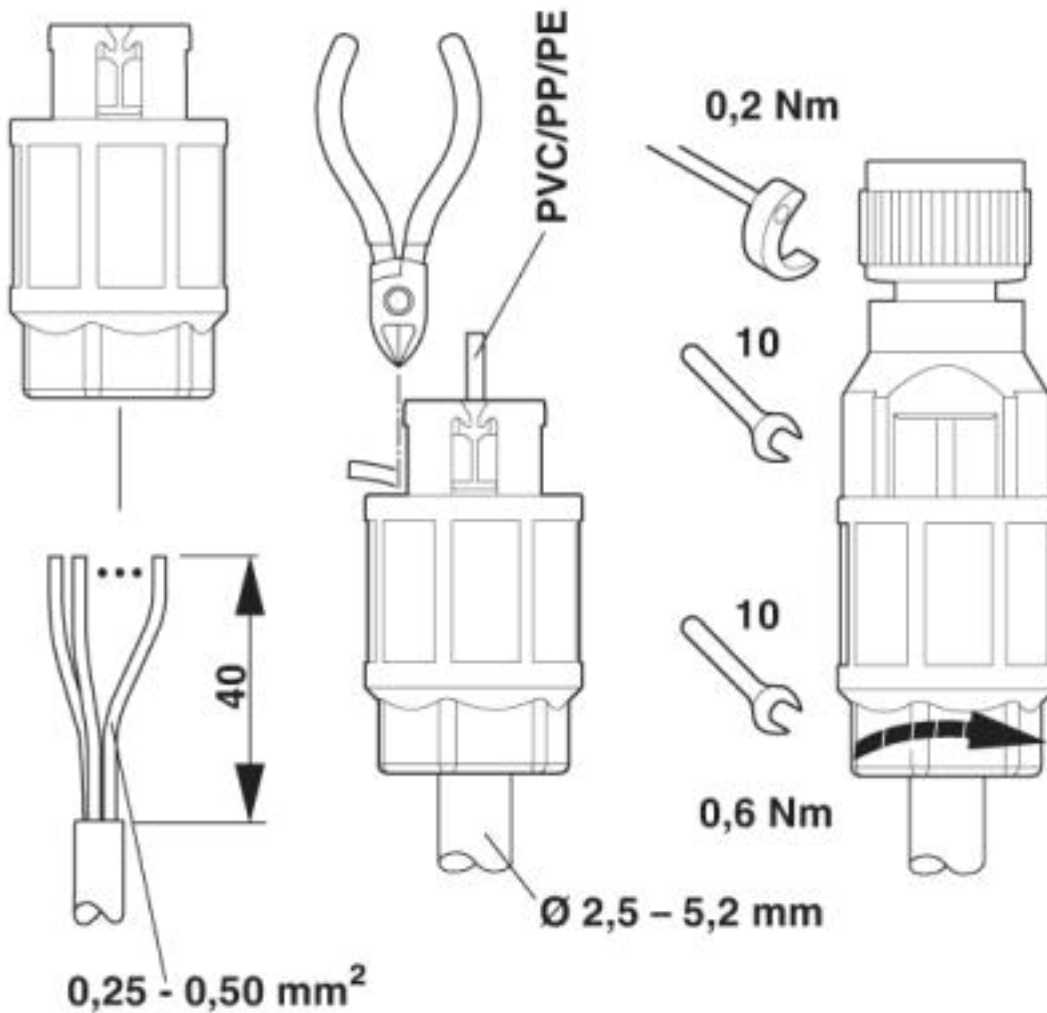
accessories

SAC-4P-100,0-PUR/0,34 - 1501663



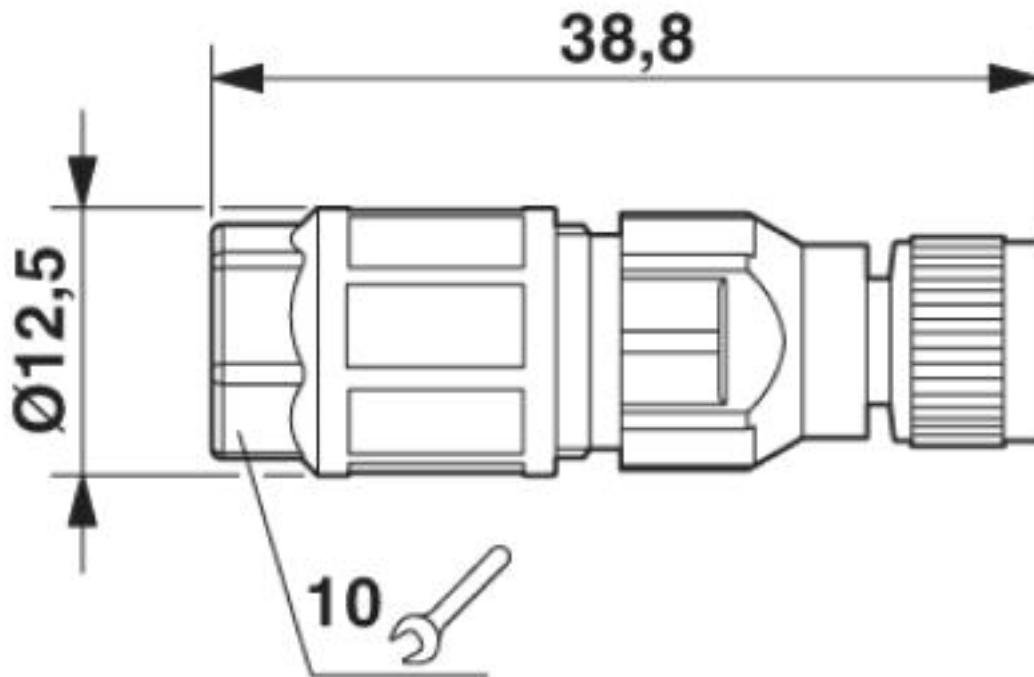
Drawings

Functional drawing



Sensor/actuator connector - SACC-M 8FS-4QO-0,5-M - 1441079

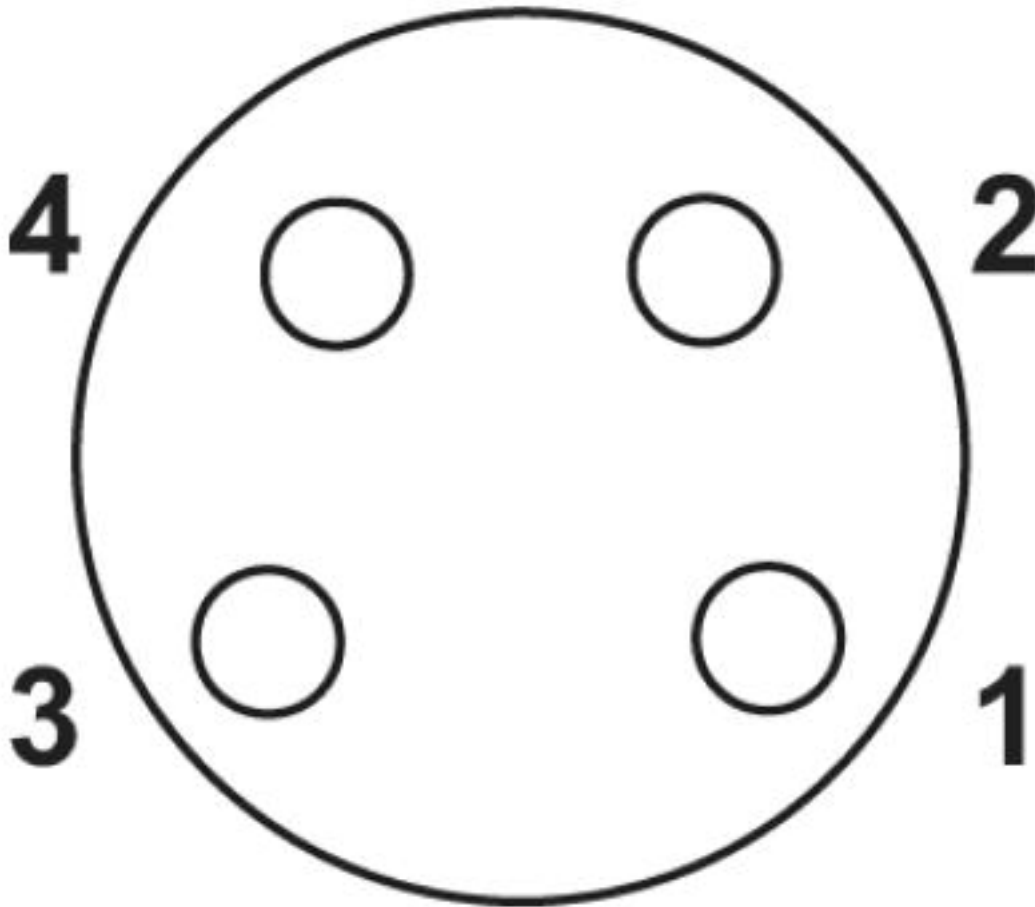
Dimensioned drawing



Socket M8 x 1, straight

Sensor/actuator connector - SACC-M 8FS-4QO-0,5-M - 1441079

Schematic diagram



Pin assignment of M8 socket, 4-pos., view of pin side

© Phoenix Contact 2013 - all rights reserved
<http://www.phoenixcontact.com>