

# Ring cable lug - C-RC 10/M6 DIN - 3240090

Please be informed that the data shown in this PDF Document is generated from our Online Catalog. Please find the complete data in the user's documentation. Our General Terms of Use for Downloads are valid (<http://download.phoenixcontact.com>)



Ring cable lug, non-insulated, 10 mm<sup>2</sup>, M6

## Product Features

- The CRIMPFOX-RC... tools from our CRIMPFOX range of crimping pliers are available for optimum crimping
- The hard-soldered press zone enables maximum conductor pull-out values to be achieved
- The ring cable lugs without plastic sleeve are made from high-quality tin-plated electrolytic copper for maximum protection against corrosion

## Key commercial data

<b>package_quantity</b>	100
<b>GTIN</b>	4046356453073

## Technical data

### Dimensions

<b>Length (b)</b>	23 mm
<b>Width (a)</b>	11 mm
<b>Length of insulation sleeve (c)</b>	8 mm
<b>Inner dimension of the insulating collar (d)</b>	4.5 mm
<b>Distance between the center and the insulation sleeve (e)</b>	9 mm
<b>Inner diameter (f)</b>	6.5 mm
<b>Material thickness (g)</b>	1.1 mm

### Ambient conditions

<b>Ambient temperature (operation)</b>	110 °C
--	--------

### General

<b>Color</b>	silver
<b>Stripping length</b>	11 mm
<b>Material</b>	Copper

## classifications

### eCl@ss

<b>eCl@ss 4.0</b>	27060701
<b>eCl@ss 4.1</b>	27060701

# Ring cable lug - C-RC 10/M6 DIN - 3240090

## classifications

### eCl@ss

<b>eCl@ss 5.0</b>	27400201
<b>eCl@ss 5.1</b>	27400201
<b>eCl@ss 6.0</b>	27400201
<b>eCl@ss 7.0</b>	27400201
<b>eCl@ss 8.0</b>	27400201

### ETIM

<b>ETIM 2.0</b>	EC000005
<b>ETIM 3.0</b>	EC000005
<b>ETIM 4.0</b>	EC001052
<b>ETIM 5.0</b>	EC001052

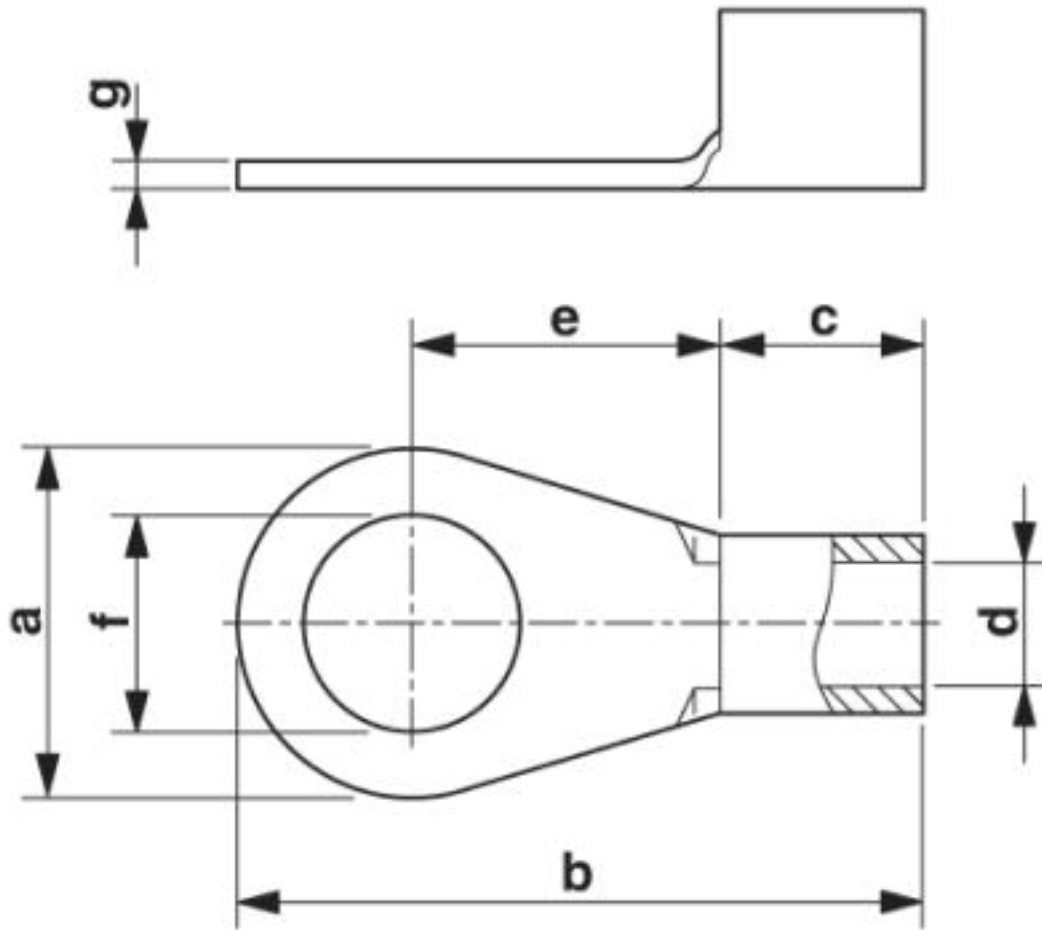
### UNSPSC

<b>UNSPSC 6.01</b>	30211923
<b>UNSPSC 7.0901</b>	27121703
<b>UNSPSC 11</b>	27121703
<b>UNSPSC 12.01</b>	27121703
<b>UNSPSC 13.2</b>	27121703

## Drawings

# Ring cable lug - C-RC 10/M6 DIN - 3240090

Dimensioned drawing



© Phoenix Contact 2013 - all rights reserved  
<http://www.phoenixcontact.com>