

# Terminal adapter - HC-D 64-A-UT-PEL-M - 1584282

Please be informed that the data shown in this PDF Document is generated from our Online Catalog. Please find the complete data in the user's documentation. Our General Terms of Use for Downloads are valid (<http://download.phoenixcontact.com>)



HEAVYCON terminal adapter male insert, D64 series, 64-pos., right protective conductor connection for the left side of the control cabinet, screw connection

## Key commercial data

package_quantity	1
GTIN	4046356142359

## Technical data

### Dimensions

Drill hole distance, horizontal	104 mm
Height	132.6 mm

### Ambient conditions

Ambient temperature (operation)	-40 °C ... 125 °C
---------------------------------	-------------------

### Electrical characteristics

Note	For HEAVYCON-ADVANCE mounting flange and HEAVYCON panel mounting base of B24 type
Number of positions	64
Connection in acc. with standard	IEC / EN
Rated voltage (III/3)	250 V
Rated surge voltage	4 kV
Rated current	10 A

### Mechanical characteristics

Design	B24
Connection method	Screw connection
Tightening torque	0.5 Nm ... 0.8 Nm
Stripping length of the individual wire	10 mm
Conductor cross section	0.2 mm <sup>2</sup> ... 2.5 mm <sup>2</sup>
Connection cross section AWG	22 ... 12

### General

Contact material	Copper alloy
Contact surface material	Ag
Contact carrier material	PA

# Terminal adapter - HC-D 64-A-UT-PEL-M - 1584282

## Technical data

### General

<b>Pollution degree</b>	3
<b>Surge voltage category</b>	III
<b>Inflammability class according to UL 94</b>	V0
<b>Connection in acc. with standard</b>	IEC / EN
<b>Assembly instructions</b>	Connectors may be operated only when there is no load/voltage.
<b>Installation instructions</b>	Not for HC-B 24-AMQ-EMV housings

## classifications

### eCl@ss

<b>eCl@ss 4.0</b>	27140816
<b>eCl@ss 4.1</b>	27140816
<b>eCl@ss 5.0</b>	27143424
<b>eCl@ss 5.1</b>	27143424
<b>eCl@ss 6.0</b>	27143424
<b>eCl@ss 7.0</b>	27440205
<b>eCl@ss 8.0</b>	27440205

### ETIM

<b>ETIM 3.0</b>	EC000438
<b>ETIM 4.0</b>	EC000438
<b>ETIM 5.0</b>	EC000438

### UNSPSC

<b>UNSPSC 6.01</b>	30211923
<b>UNSPSC 7.0901</b>	39121522
<b>UNSPSC 11</b>	39121522
<b>UNSPSC 12.01</b>	39121522
<b>UNSPSC 13.2</b>	39121522

## accessories

### Mounting material

HC-KA-FE - 1775240



# Terminal adapter - HC-D 64-A-UT-PEL-M - 1584282

accessories

HC-VSH - 1660083



HC-B-PES - 1604997



HC-B-3PE - 1644326



## Coding element

HC-CST - 1676857



HC-CBU - 1676860



# Terminal adapter - HC-D 64-A-UT-PEL-M - 1584282

accessories

HC-CB - 1772722



---

## Terminal marking

ZB 5 :UNBEDRUCKT - 1050004

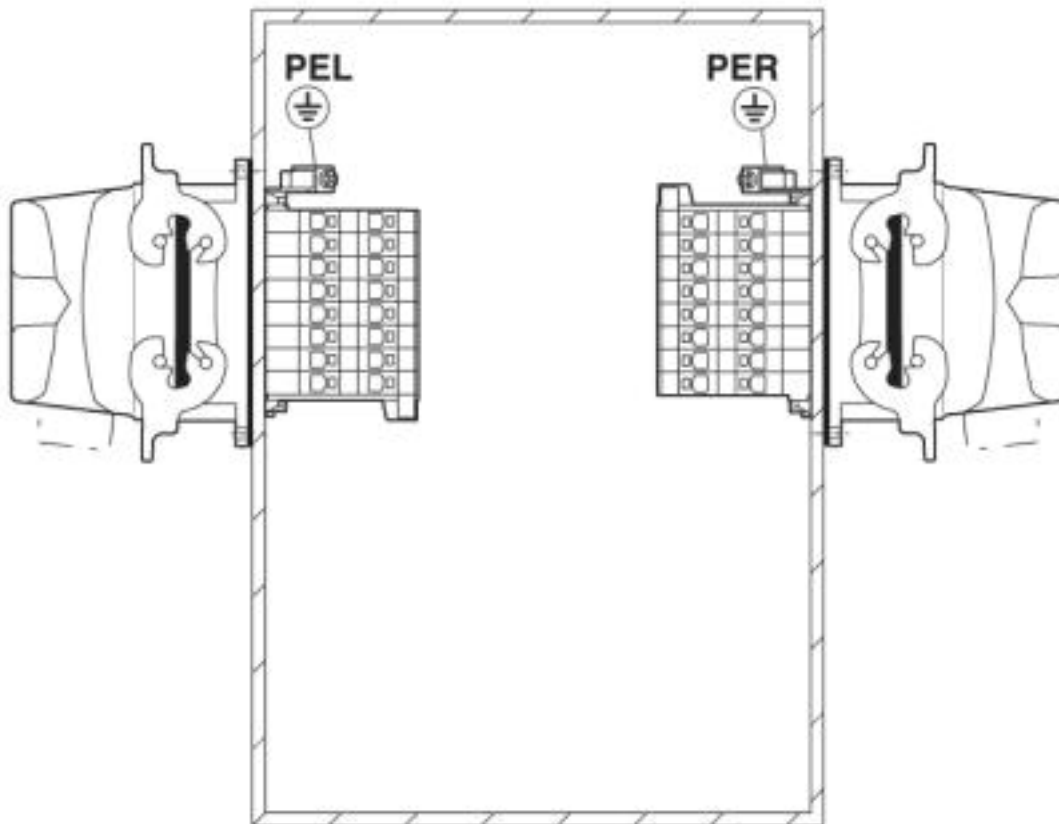


---

## Drawings

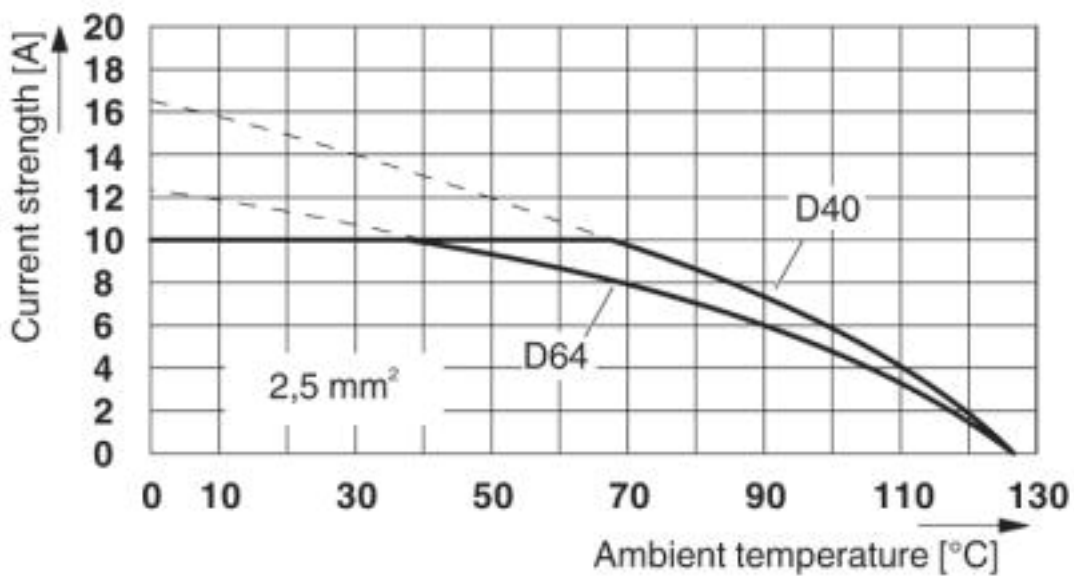
# Terminal adapter - HC-D 64-A-UT-PEL-M - 1584282

Application drawing



Mounting position PE connection left/right (PEL/PER)

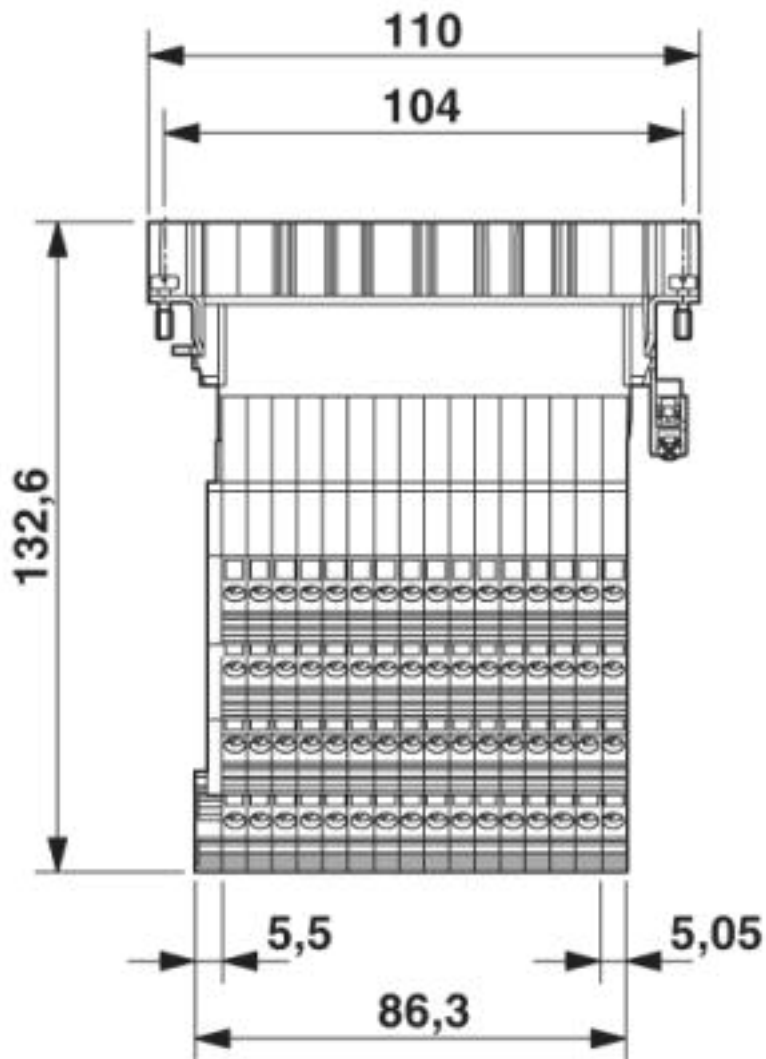
Diagram



Derating diagram for 2.5 mm²

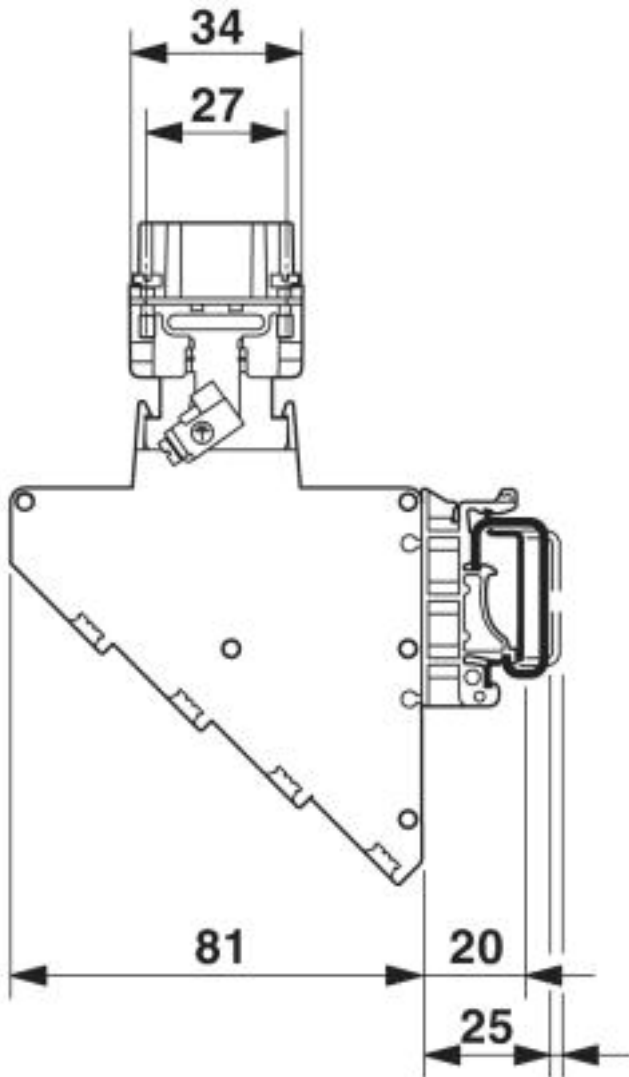
# Terminal adapter - HC-D 64-A-UT-PEL-M - 1584282

Dimensioned drawing



# Terminal adapter - HC-D 64-A-UT-PEL-M - 1584282

Dimensioned drawing



Dimensional drawing, side view

© Phoenix Contact 2013 - all rights reserved  
<http://www.phoenixcontact.com>