

# Flush-type connector - SACC-CI-M12FS-17CON-SH TOR 32 - 1457720

Please be informed that the data shown in this PDF Document is generated from our Online Catalog. Please find the complete data in the user's documentation. Our General Terms of Use for Downloads are valid (<http://download.phoenixcontact.com>)



Sensor/actuator flush-type socket, 17-pos. with shroud, A-coded, with straight THR solder connection, contact insert only

## Key commercial data

package_quantity	100
GTIN	4046356617475

## Technical data

### Ambient conditions

Ambient temperature (operation)	-25 °C ... 85 °C (Plug / socket)
Degree of protection	IP67

### General

Rated current at 40°C	1.5 A
Rated voltage	30 V
Number of positions	17
Contact resistance	≤ 3 mΩ
Insulation resistance	≥ 100 MΩ
Coding	A - standard
Standards/regulations	M12 connector IEC 61076-2-101
Status display	No
Surge voltage category	III
Pollution degree	3
Test voltage	0.8 kV
Connection method	THR solder connection
Insertion/withdrawal cycles	> 100
Mounting type	PCB mounting

### Material

Inflammability class according to UL 94	V0
Contact material	CuZn
Contact surface material	Au
Contact carrier material	PPA

# Flush-type connector - SACC-CI-M12FS-17CON-SH TOR 32 - 1457720

## classifications

### eCl@ss

eCl@ss 4.0	27060306
eCl@ss 4.1	27060306
eCl@ss 5.0	27061801
eCl@ss 5.1	27260701
eCl@ss 6.0	27279220
eCl@ss 7.0	27440103
eCl@ss 8.0	27440103

### ETIM

ETIM 3.0	EC002061
ETIM 4.0	EC002061
ETIM 5.0	EC002061

### UNSPSC

UNSPSC 6.01	31251501
UNSPSC 7.0901	31251501
UNSPSC 11	31251501
UNSPSC 12.01	31251501
UNSPSC 13.2	31251501

## approvals

UL Recognized / GOST / GOST /

### Approval details

<b>UL Recognized</b>	
Nominal voltage UN	30 V
Nominal current IN	1.5 A
mm <sup>2</sup> /AWG/kcmil	26-20

<b>GOST</b>
-------------

--

## Flush-type connector - SACC-CI-M12FS-17CON-SH TOR 32 - 1457720

accessories

**Panel mounting base**

SACC-M12-SCO NUT - 1552243



---

SACC-M12-SCO NUT L 90 - 1432460



---

SACC-M12 NUT PRESS - 1437889

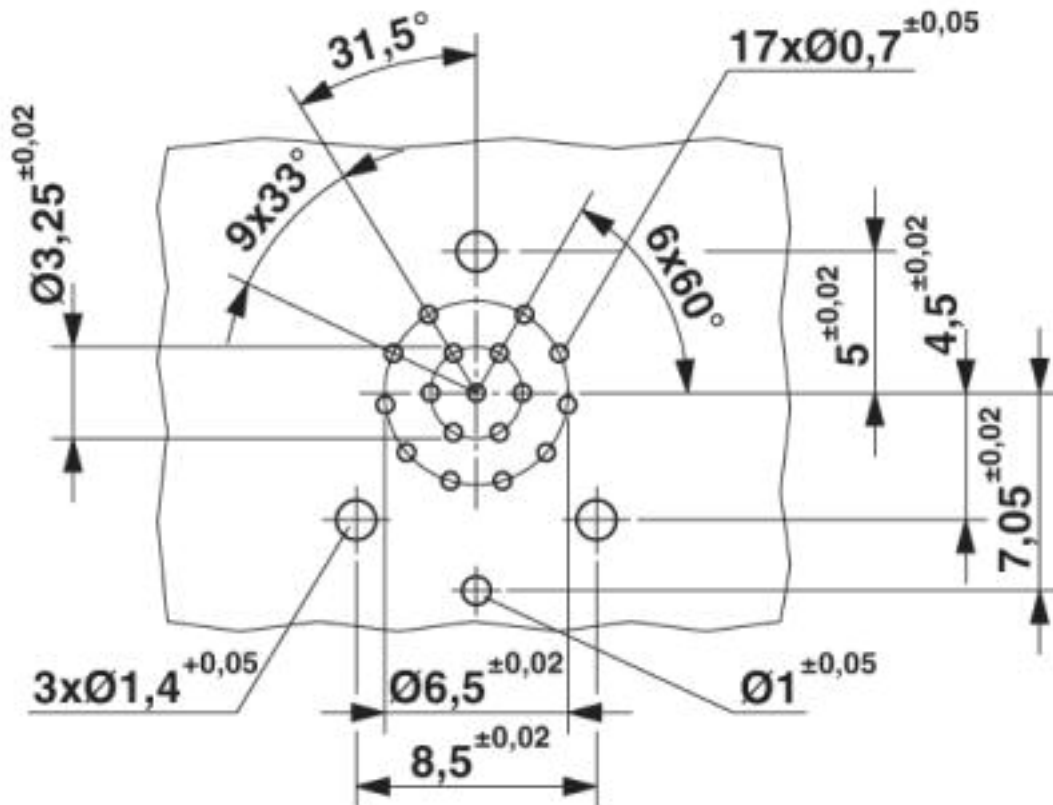


---

Drawings

# Flush-type connector - SACC-CI-M12FS-17CON-SH TOR 32 - 1457720

Drilling diagram



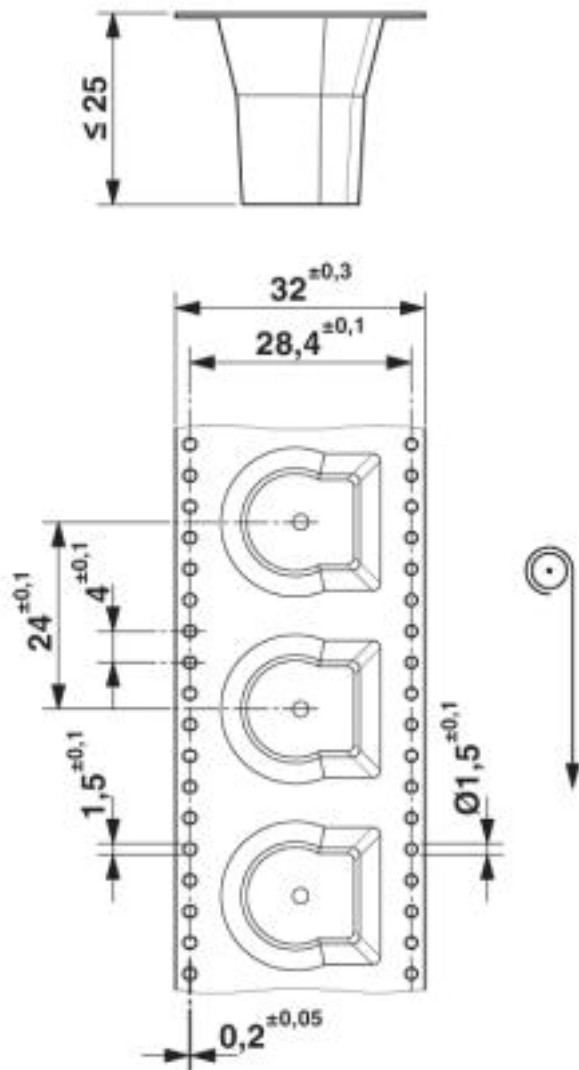
Drilling diagram

Dimensioned drawing

M12 female connector contact carrier

# Flush-type connector - SACC-CI-M12FS-17CON-SH TOR 32 - 1457720

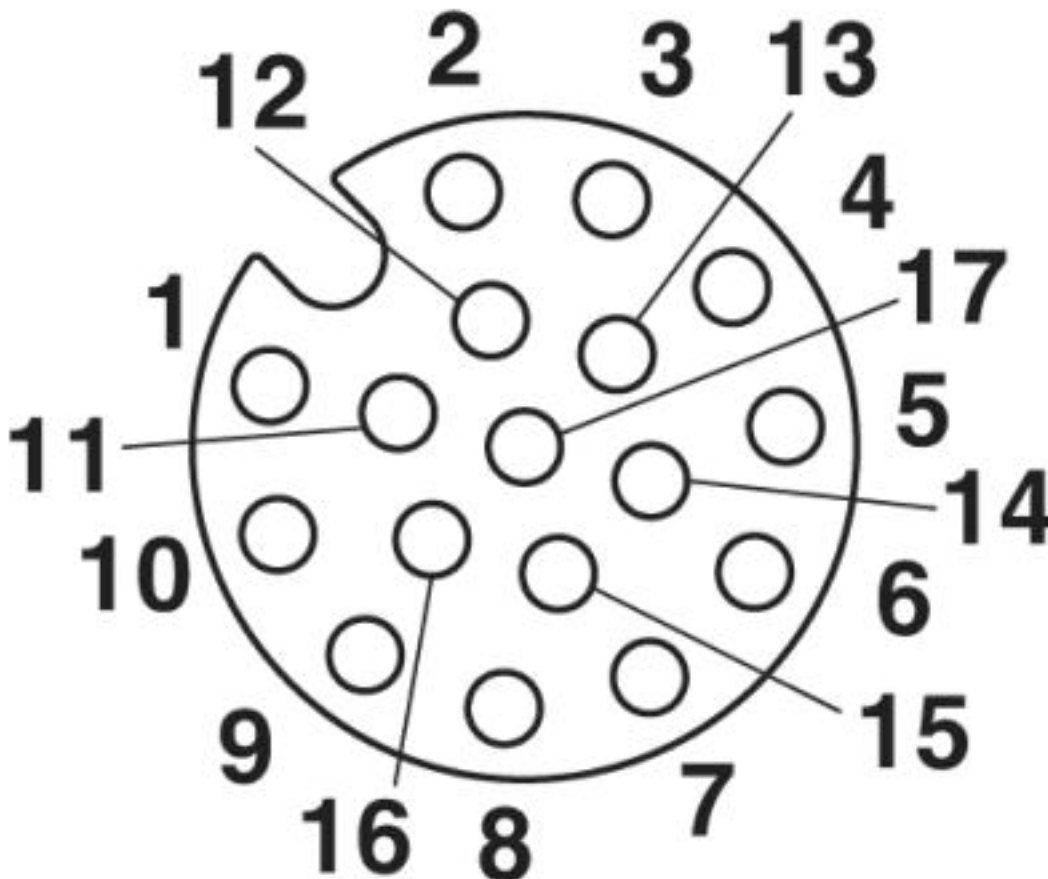
Dimensioned drawing



THR tape-on-reel packing

# Flush-type connector - SACC-CI-M12FS-17CON-SH TOR 32 - 1457720

Schematic diagram



Pin assignment of M12 socket, 17-pos., A-coded, view of socket side

© Phoenix Contact 2013 - all rights reserved  
<http://www.phoenixcontact.com>