

# Connector - SACC-M12FS-4CON-PG11-M PWR - 1404416

Please be informed that the data shown in this PDF Document is generated from our Online Catalog. Please find the complete data in the user's documentation. Our General Terms of Use for Downloads are valid (<http://download.phoenixcontact.com>)



Connector, Universal, 4-position, Socket straight M12, A-coded, Screw connection, Knurl material: Zinc die-cast, nickel-plated, Cable gland Pg11, External cable diameter 8 mm ... 10 mm

## Product Features

- Safe use in the field, thanks to a high degree of protection
- Flexible: connectors for on-site assembly
- Screw connection: proven connection technology for a large selection of different conductors

## Key commercial data

<b>package_quantity</b>	1
<b>GTIN</b>	4046356694483

## Technical data

### Dimensions

<b>External diameter</b>	8 mm ... 10 mm
--------------------------	----------------

### Ambient conditions

<b>Degree of protection</b>	IP67
-----------------------------	------

### General

<b>Note</b>	Strip 22 mm off the cable sheath, strip 7 mm off the conductor insulation, crimp the ferrule, then shorten this to 5 mm. Length of conductor with shortened ferrule: 20 mm. Connect conductors and tighten the mounting screws with 0.2 Nm.
<b>Rated current at 40°C</b>	8 A
<b>Rated voltage</b>	250 V
<b>Number of positions</b>	4
<b>Contact resistance</b>	≤ 3 mΩ
<b>Insulation resistance</b>	> 10 GΩ
<b>Coding</b>	A - standard
<b>Standards/regulations</b>	M12 connector IEC 61076-2-101
<b>Signal type/category</b>	Universal
<b>Status display</b>	No
<b>Surge voltage category</b>	II
<b>Pollution degree</b>	3
<b>Connection method</b>	Screw connection
<b>Conductor cross section</b>	1.5 mm <sup>2</sup>

# Connector - SACC-M12FS-4CON-PG11-M PWR - 1404416

## Technical data

### General

<b>AWG conductor cross section</b>	16
<b>Insertion/withdrawal cycles</b>	≥ 100
<b>Torque</b>	0.4 Nm (M12 knurl)
<b>Torque</b>	1 Nm ... 1.4 Nm (Pressure nut with coupling sleeve)
<b>Torque</b>	0.4 Nm (Connector with coupling sleeve)
<b>Torque</b>	0.2 Nm (Screw terminal blocks)
<b>Assembly instructions</b>	The wires can be connected both with ferrules and without ferrules

### Material

<b>Inflammability class according to UL 94</b>	V0
<b>Contact material</b>	CuZn
<b>Contact surface material</b>	Au
<b>Contact carrier material</b>	PA
<b>Material of grip body</b>	PA
<b>Material, knurls</b>	Zinc die-cast, nickel-plated

## classifications

### eCl@ss

<b>eCl@ss 4.0</b>	27140815
<b>eCl@ss 4.1</b>	27140815
<b>eCl@ss 5.0</b>	27260701
<b>eCl@ss 5.1</b>	27260701
<b>eCl@ss 6.0</b>	27279221
<b>eCl@ss 7.0</b>	27440104
<b>eCl@ss 8.0</b>	27440104

### ETIM

<b>ETIM 2.0</b>	EC001121
<b>ETIM 3.0</b>	EC002062
<b>ETIM 4.0</b>	EC002062
<b>ETIM 5.0</b>	EC002062

### UNSPSC

<b>UNSPSC 6.01</b>	31251501
<b>UNSPSC 7.0901</b>	31251501
<b>UNSPSC 11</b>	31251501
<b>UNSPSC 12.01</b>	31251501
<b>UNSPSC 13.2</b>	31251501

## accessories

### Torque tool

## Connector - SACC-M12FS-4CON-PG11-M PWR - 1404416

### accessories

TSD 04 SAC - 1208429



---

### Screwdriver tools

SACC BIT M12-D20 - 1208445



---

### Stripping tool

WIREFOX 6SC - 1212158



---

### Crimping tool

CRIMPFOX 6H - 1212046



---

### Connector

A 1,5 - 7 - 3200263



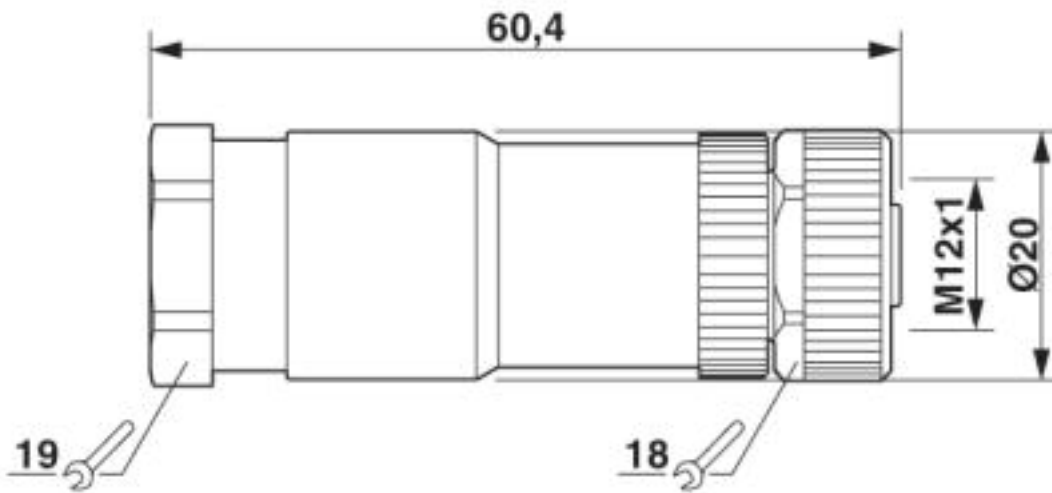
# Connector - SACC-M12FS-4CON-PG11-M PWR - 1404416

accessories

---

## Drawings

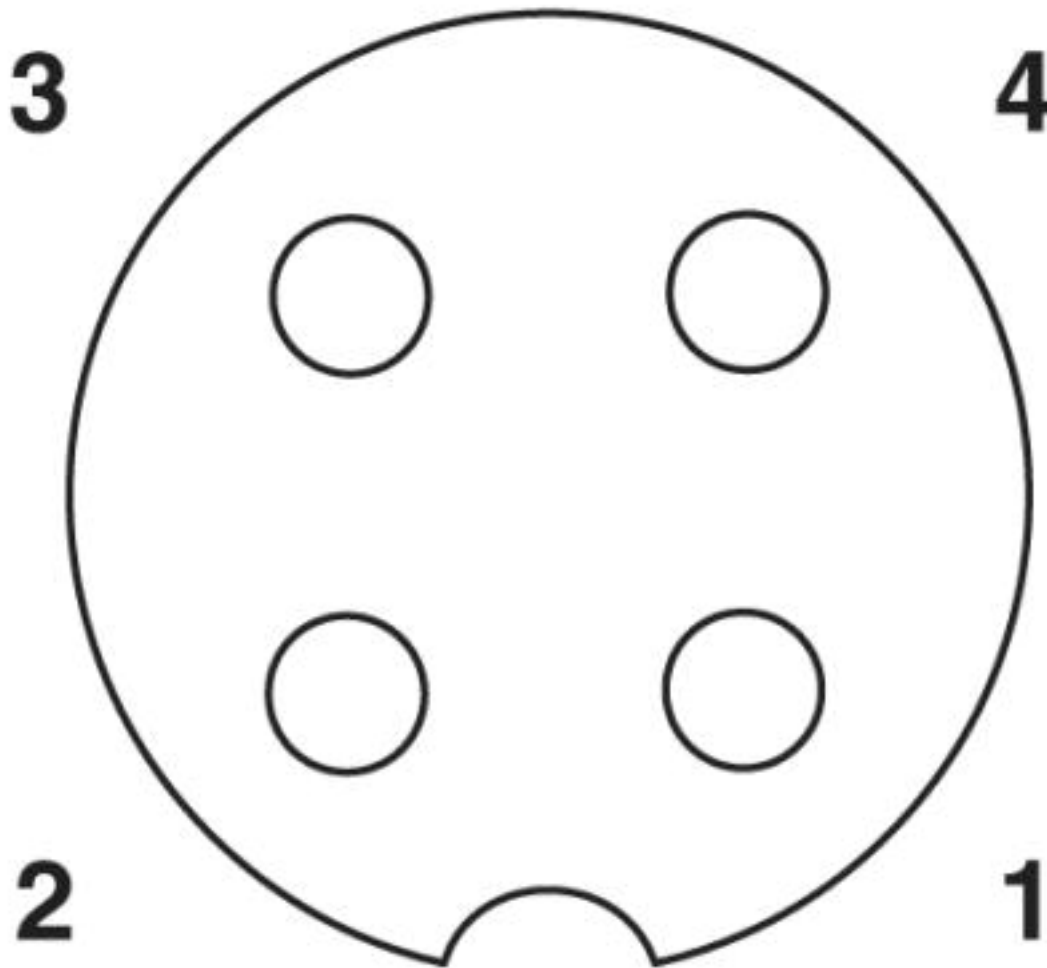
Dimensioned drawing



M12 x 1 socket, straight

## Connector - SACC-M12FS-4CON-PG11-M PWR - 1404416

Schematic diagram



Pin assignment M12 socket, 4-pos., A-coded, view female side

© Phoenix Contact 2013 - all rights reserved  
<http://www.phoenixcontact.com>