

Connector - C-SCFMI 1,5/6,3X0,8 - 3240529

Please be informed that the data shown in this PDF Document is generated from our Online Catalog. Please find the complete data in the user's documentation. Our General Terms of Use for Downloads are valid (<http://download.phoenixcontact.com>)



Flat plug distributor, isolated, red, 0.5 - 1.5 mm², for plug and sleeve 6.3 x 0.8 mm

Product Features

- Hard-soldered crimping zone for maximum conductor pull-out forces in connection with CRIMPFOX RCI... pliers
- Easy and reliable conductor entry thanks to 'EASY ENTRY'
- Halogen-free
- Electrolytically tin-plated

Key commercial data

package_quantity	50
GTIN	4046356527996

Technical data

Dimensions

Length (b)	22.5 mm
Width (a)	6.3 mm
Length of insulation sleeve (c)	10.5 mm
Inner dimension of the insulating collar (d)	41 mm
Material thickness (g)	0.4 mm

Ambient conditions

Ambient temperature (operation)	-20 °C ... 105 °C
Short-term temperature	120 °C
Max. permanent temperature	105 °C

General

Color	red
Stripping length	7 mm
Components	Halogen-free
Material	Brass

classifications

eCl@ss

eCl@ss 4.0	27140815
-------------------	----------

Connector - C-SCFMI 1,5/6,3X0,8 - 3240529

classifications

eCl@ss

eCl@ss 4.1	27140815
eCl@ss 5.0	27260701
eCl@ss 5.1	27260701
eCl@ss 6.0	27400209
eCl@ss 7.0	27440304
eCl@ss 8.0	27440304

ETIM

ETIM 2.0	EC000516
ETIM 3.0	EC000516
ETIM 4.0	EC000516
ETIM 5.0	EC000516

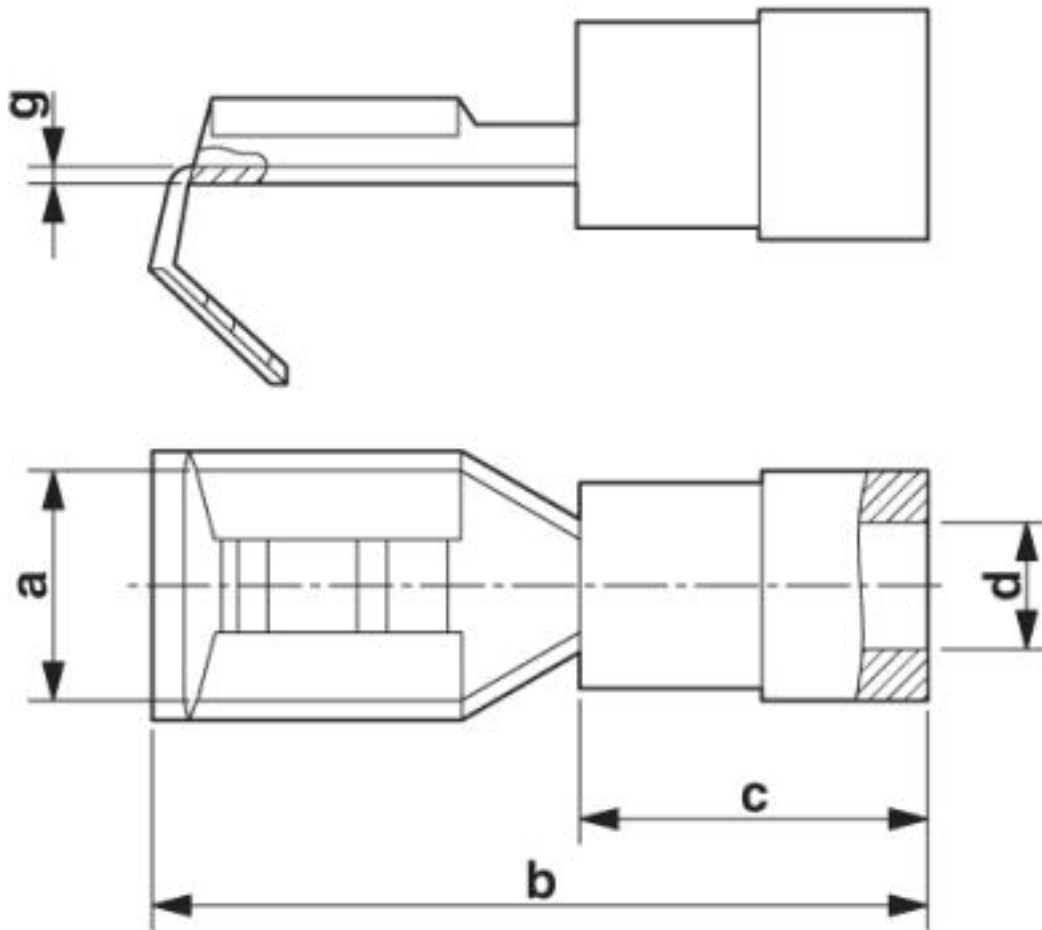
UNSPSC

UNSPSC 6.01	30211923
UNSPSC 7.0901	39121522
UNSPSC 11	39121522
UNSPSC 12.01	39121522
UNSPSC 13.2	39121522

Drawings

Connector - C-SCFMI 1,5/6,3X0,8 - 3240529

Dimensioned drawing



© Phoenix Contact 2013 - all rights reserved
<http://www.phoenixcontact.com>