

Contact insert - HC-B 6-ESTQ-2,5 - 1605611

Please be informed that the data shown in this PDF Document is generated from our Online Catalog. Please find the complete data in the user's documentation. Our General Terms of Use for Downloads are valid (<http://download.phoenixcontact.com>)



HEAVYCON male insert, B6 series, 6-pos., QUICKON connection

Key commercial data

package_quantity	10
GTIN	4017918940706

Technical data

General

Note	For HEAVYCON ADVANCE and HEAVYCON housing of B6 type. Coding using the CP-HC (1686478) coding profile. HC-B6.../ HC-B10... for two coding profiles. HC-B16.../ HC-B24... for 4 coding profiles. Connectors may be operated only when there is no load/ voltage.
Connection method	QUICKON connection
Pollution degree	3
Surge voltage category	III
Number of positions	6+PE
Insertion/withdrawal cycles	≥ 500
Design	B6
Conductor cross section	0.34 mm ² ... 2.5 mm ²
Connection cross section AWG	22 ... 14
Wire diameter including insulation	1 mm ... 3.5 mm
Frequency of connections between conductors of the same cross section	10
Assembly instructions	If the conductor is to be reconnected, it must be cut off above the last contact point.

Ambient conditions

Ambient temperature (operation)	-40 °C ... 125 °C (including heating up of contacts)
Ambient temperature (assembly)	-25 °C ... 50 °C

Material data

Inflammability class according to UL 94	V0
Contact material	Copper alloy
Contact surface material	Ag
Contact carrier material	PA

Contact insert - HC-B 6-ESTQ-2,5 - 1605611

Technical data

Material data

Material wire insulation	PVC / PE
--------------------------	----------

Electrical characteristics

Rated voltage (III/3)	400 V
Rated surge voltage	6 kV
Rated current	16 A

classifications

eCl@ss

eCl@ss 4.0	27140816
eCl@ss 4.1	27140816
eCl@ss 5.0	27143424
eCl@ss 5.1	27143424
eCl@ss 6.0	27143424
eCl@ss 7.0	27440209
eCl@ss 8.0	27440209

ETIM

ETIM 2.0	EC000438
ETIM 3.0	EC000438
ETIM 4.0	EC000437
ETIM 5.0	EC000437


UNSPSC

UNSPSC 6.01	30211923
UNSPSC 7.0901	39121522
UNSPSC 11	39121522
UNSPSC 12.01	39121522
UNSPSC 13.2	39121522

approvals

CSA / UL Recognized / cUL Recognized / cULus Recognized /

Approval details

	
Nominal voltage UN	600 V
Nominal current IN	10 A

Contact insert - HC-B 6-ESTQ-2,5 - 1605611

approvals

mm ² /AWG/kcmil	16
----------------------------	----

UL Recognized	
Nominal voltage UN	600 V
Nominal current IN	10 A
mm ² /AWG/kcmil	16-14

cUL Recognized	
Nominal voltage UN	600 V
Nominal current IN	10 A
mm ² /AWG/kcmil	16-14

cULus Recognized	
-------------------------	--

accessories

Coding element

CP-HC - 1686478



HC-CST - 1676857



Contact insert - HC-B 6-ESTQ-2,5 - 1605611

accessories

HC-CBU - 1676860



HC-CB - 1772722



Mounting material

HC-B-PES - 1604997



HC-B-3PE - 1644326



HC-B-ZG - 1685327



Contact insert - HC-B 6-ESTQ-2,5 - 1605611

accessories

HC-B-ZS - 1685330



Plug assembly frame

HC-SMR-B 6 - 1687956



HC-SMR-2B 6 - 1687998



Plug mounting plate

HC-SMP 125-B 6-AML - 1660957



Adapter plate

HC-B 24-ADP-B 6-GY - 1660407



Contact insert - HC-B 6-ESTQ-2,5 - 1605611

accessories

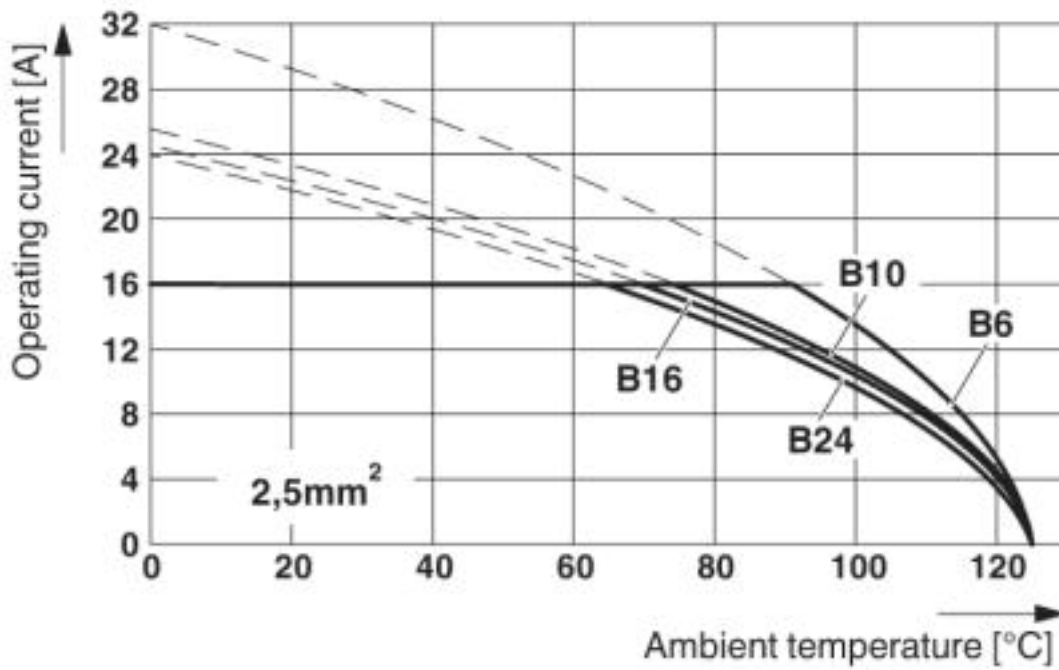
Docking frame

HC-B 6-ANDOCK - 1586112



Drawings

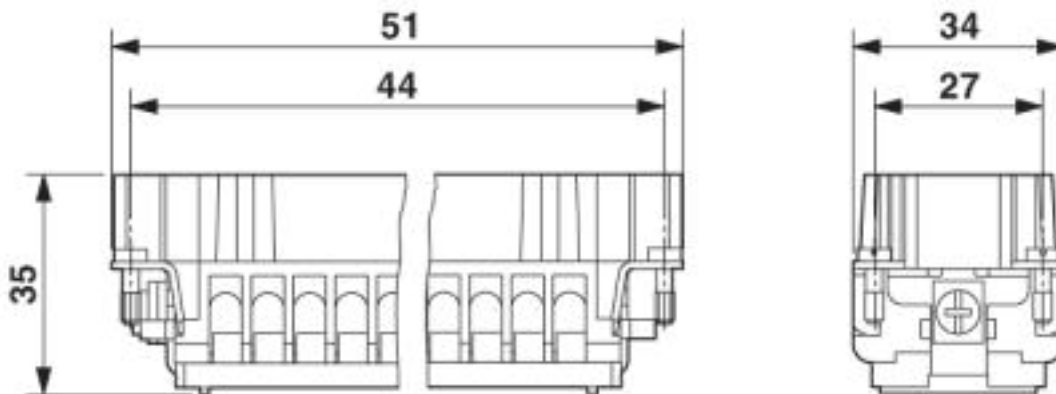
Diagram



The illustration shows the derating diagram of various series B contact inserts (B6 to B24), conductor cross section 2.5 mm²

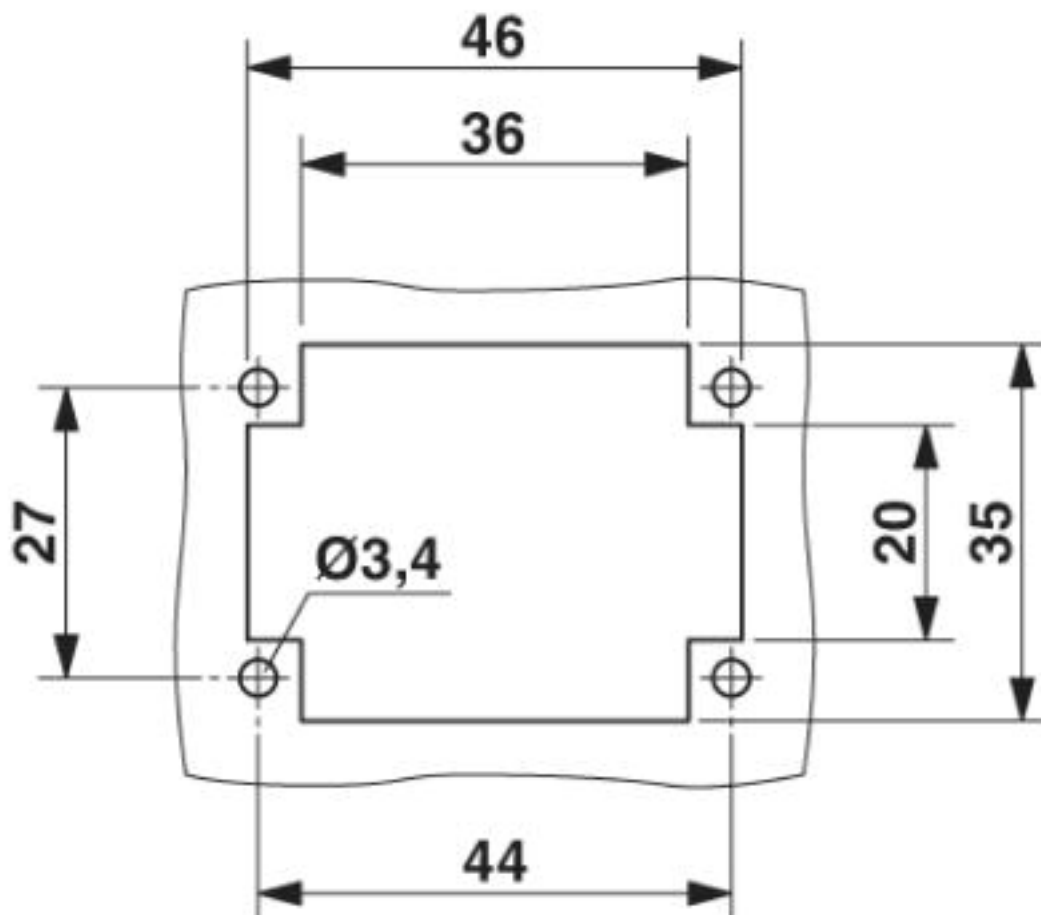
Contact insert - HC-B 6-ESTQ-2,5 - 1605611

Dimensioned drawing



Male insert

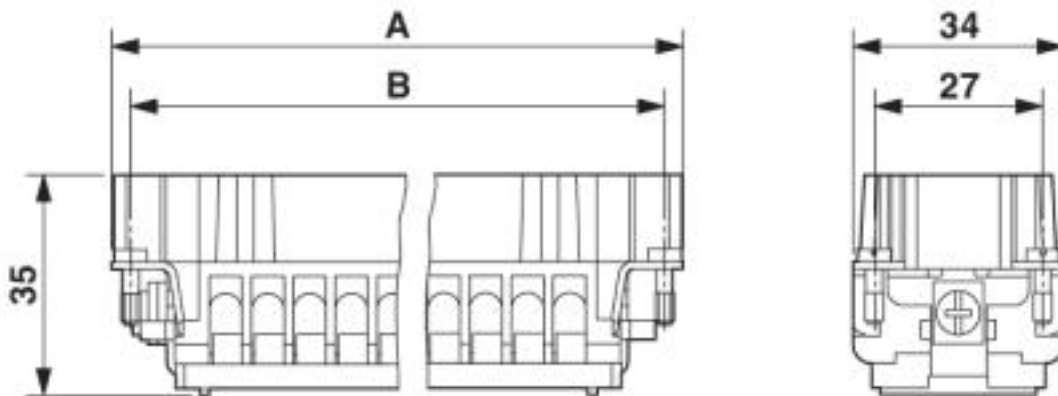
Dimensioned drawing



Panel cutout

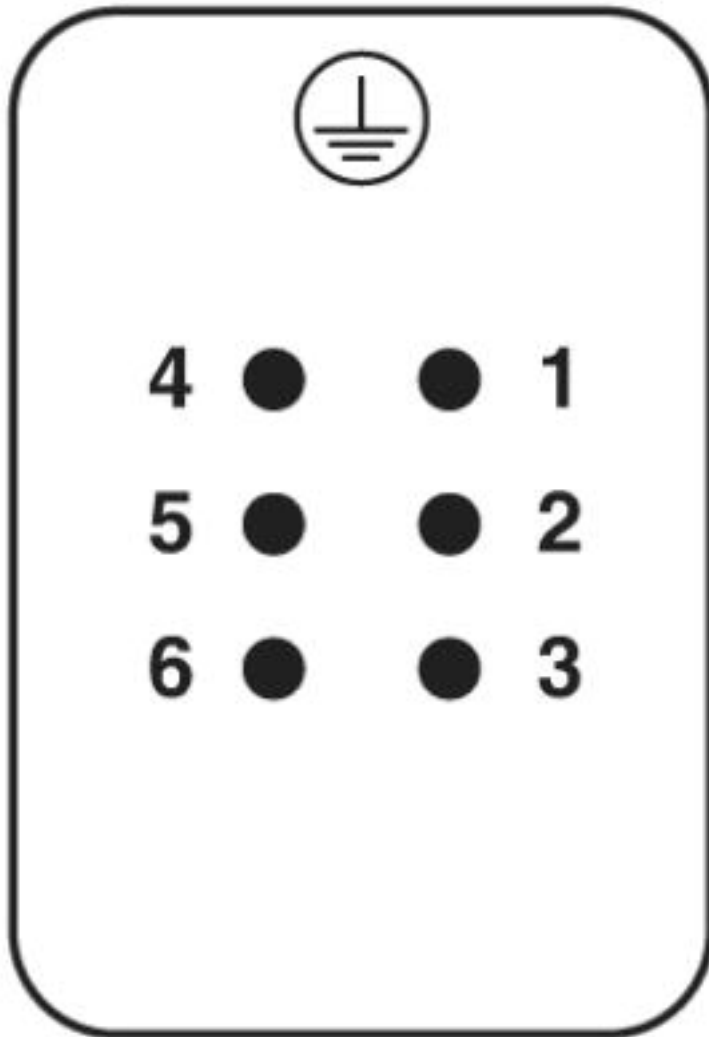
Contact insert - HC-B 6-ESTQ-2,5 - 1605611

Dimensioned drawing



Contact insert - HC-B 6-ESTQ-2,5 - 1605611

Schematic diagram



Connector pin assignment, connection side

© Phoenix Contact 2013 - all rights reserved
<http://www.phoenixcontact.com>