

Contact insert - HC-D 40-I-CT-M - 1584415

Please be informed that the data shown in this PDF Document is generated from our Online Catalog. Please find the complete data in the user's documentation. Our General Terms of Use for Downloads are valid (<http://download.phoenixcontact.com>)



HEAVYCON male insert, D40 series, 40-pos., crimp connection. PE connection using tension sleeve technology.

Key commercial data

package_quantity	10
GTIN	4046356142670

Technical data

General

Note	For HC-D40 housing, crimp contacts CK1,6-ED (crimp contacts not included in scope of supply)
Connection method	Crimp connection
Pollution degree	3
Surge voltage category	III
Constructional and testing regulations	DIN VDE 0627/86
Constructional and testing regulations	DIN VDE 0110/02.79
Constructional and testing regulations	DIN VDE 0110-1/04.97
Constructional and testing regulations	IEC 60664-1, DIN IEC 60512
Constructional and testing regulations	IEC 60352
Number of positions	40+PE
Insertion/withdrawal cycles	≥ 500
Design	B16
Connection in acc. with standard	IEC / EN
Conductor cross section	0.14 mm ² ... 2.5 mm ²
Connection cross section AWG	26 ... 14
Stripping length of the individual wire	8 mm
Stripping length of the individual wire	6 mm (2.5 mm ²)
Assembly instructions	- Use of HC-CST (1676857) coding pins and HC-CBU (1676860) coding sockets has been prescribed.
Connection	Connectors may be plugged in only when there is no load/voltage.

Ambient conditions

Ambient temperature (operation)	-40 °C ... 125 °C (including heating up of contacts)
--	--

Material data

Contact insert - HC-D 40-I-CT-M - 1584415

Technical data

Material data

Inflammability class according to UL 94	V0
Contact material	Copper alloy
Contact surface material	Ag (alternatively Au)
Contact carrier material	PA

Electrical characteristics

Rated voltage (III/3)	250 V
Rated surge voltage	4 kV
Rated current	10 A

classifications

eCl@ss

eCl@ss 4.0	27140816
eCl@ss 4.1	27140816
eCl@ss 5.0	27143424
eCl@ss 5.1	27143424
eCl@ss 6.0	27261205
eCl@ss 7.0	27440207
eCl@ss 8.0	27440207

ETIM

ETIM 2.0	EC000438
ETIM 3.0	EC000438
ETIM 4.0	EC000438
ETIM 5.0	EC000438

UNSPSC

UNSPSC 6.01	30211923
UNSPSC 7.0901	39121522
UNSPSC 11	39121522
UNSPSC 12.01	39121522
UNSPSC 13.2	39121522

accessories

Mounting material

HC-B-PES - 1604997



Contact insert - HC-D 40-I-CT-M - 1584415

accessories

HC-B-3PE - 1644326



HC-B-ZG - 1685327



HC-B-ZS - 1685330



Coding element

HC-CBU - 1676860



HC-CB - 1772722



Contact insert - HC-D 40-I-CT-M - 1584415

accessories

HC-CST - 1676857



Plug assembly frame

HC-SMR-B16 - 1687972



Plug mounting plate

HC-SMP 125-B16-AMQ - 1660973



Adapter plate

HC-B 24-ADP-B 16-GY - 1660449



Docking frame

HC-B 16-ANDOCK - 1586138



Contact insert - HC-D 40-I-CT-M - 1584415

accessories

Assembly tool

VC-EW 1,6 - 1884869



Crimping tool

CRIMPFOX-1,6/2,5-ED-4,0 - 1687419



Crimp contact

CK1,6-ED-0,37ST AG - 1663336



CK1,6-ED-0,50ST AG - 1663349



CK1,6-ED-0,75ST AG - 1663352



Contact insert - HC-D 40-I-CT-M - 1584415

accessories

CK1,6-ED-1,00ST AG - 1663365



CK1,6-ED-1,50ST AG - 1663378



CK1,6-ED-2,50ST AG - 1663381



CK1,6-ED-0,37ST AU - 1674901



CK1,6-ED-0,50ST AU - 1672453



CK1,6-ED-0,75ST AU - 1674914



Contact insert - HC-D 40-I-CT-M - 1584415

accessories

CK1,6-ED-1,00ST AU - 1674888



CK1,6-ED-1,50ST AU - 1674875



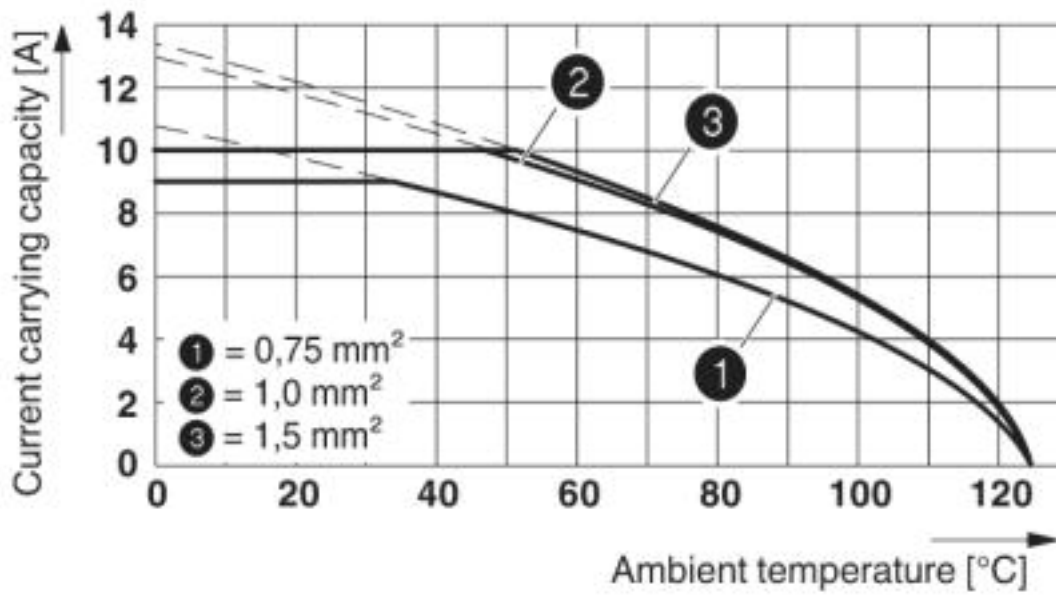
CK1,6-ED-2,50ST AU - 1674927



Drawings

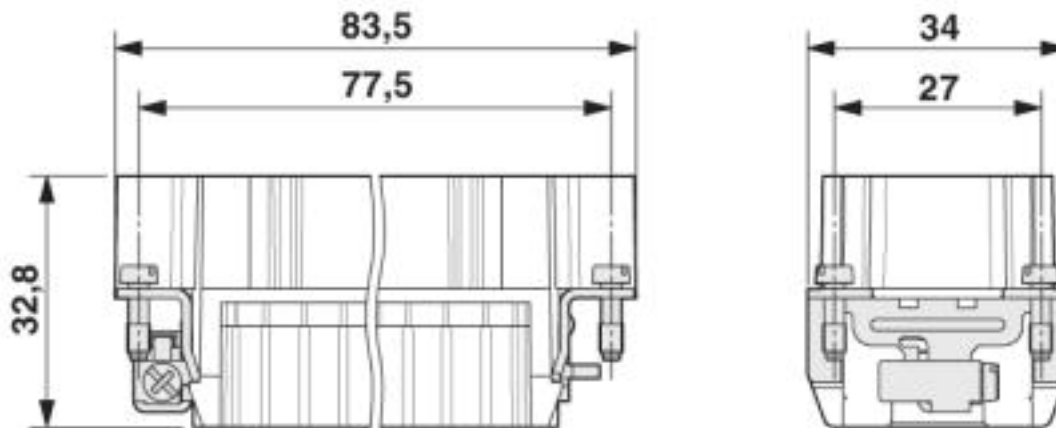
Contact insert - HC-D 40-I-CT-M - 1584415

Diagram



Derating diagram: HC-D...C series

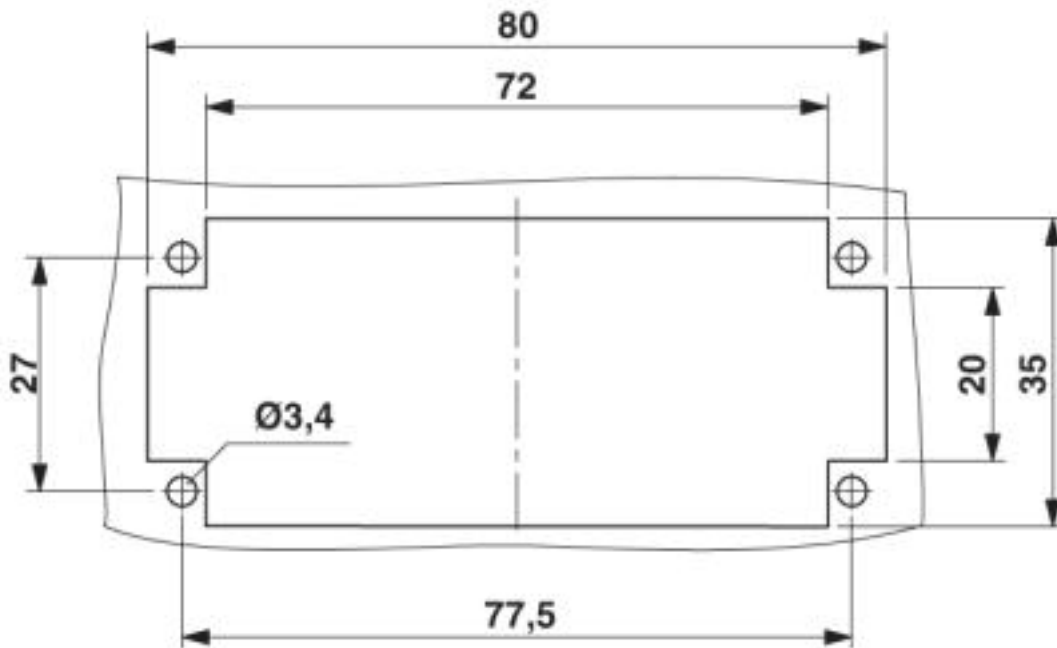
Dimensioned drawing



Male insert

Contact insert - HC-D 40-I-CT-M - 1584415

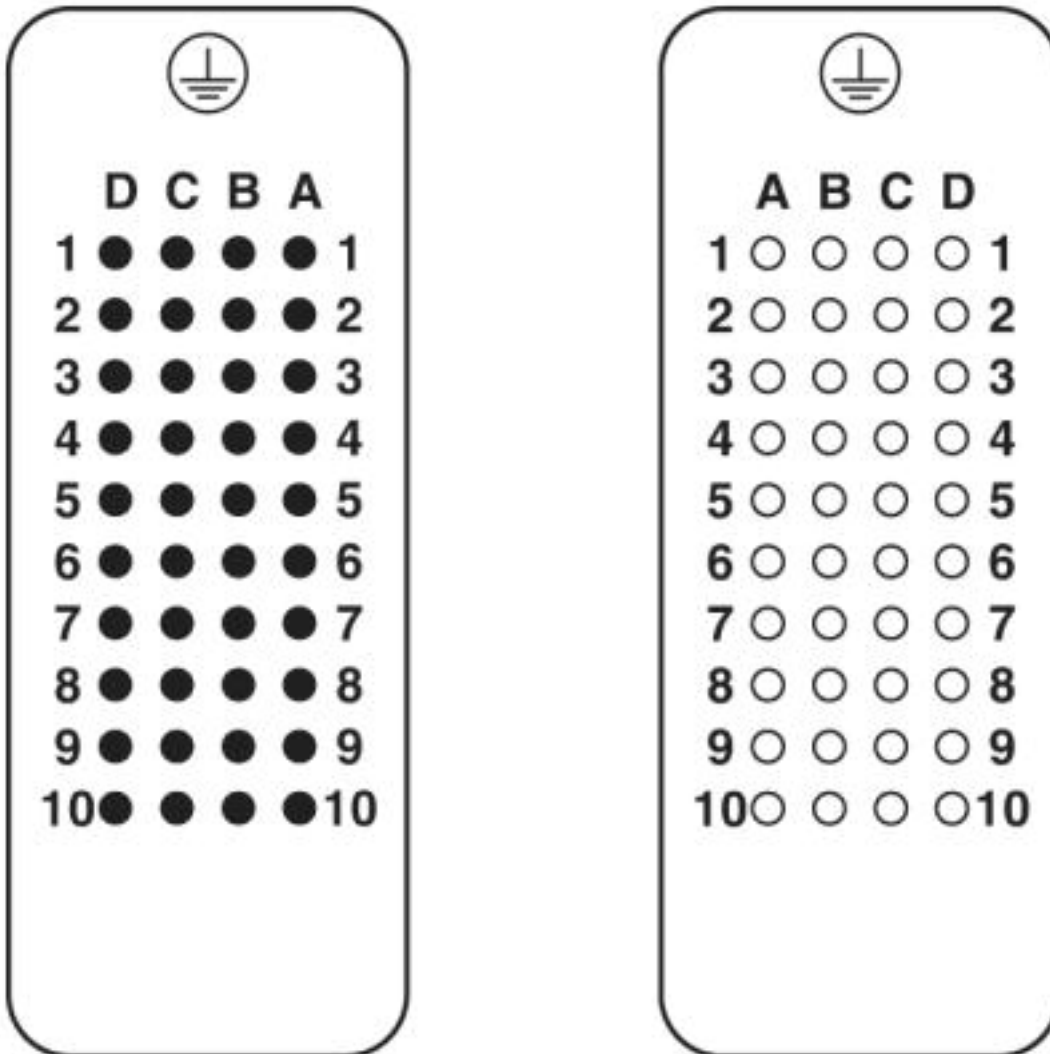
Dimensioned drawing



Panel cutout

Contact insert - HC-D 40-I-CT-M - 1584415

Schematic diagram



Connector pin assignment connection side: Left pin; right socket

© Phoenix Contact 2013 - all rights reserved
<http://www.phoenixcontact.com>