

Ferrule - AI-XL 1,5-10 BK - 3201974

Please be informed that the data shown in this PDF Document is generated from our Online Catalog. Please find the complete data in the user's documentation. Our General Terms of Use for Downloads are valid (<http://download.phoenixcontact.com>)



Ferrule, Length: 19.5 mm, Color: black

The illustration shows a version of the product

Product Features

- Previous methods of achieving correct conductor insulation are much more time consuming
- These ferrules can be used for short-circuit-proof cables

Key commercial data

| | |
|------------------|---------------|
| package_quantity | 100 |
| GTIN | 4017918125073 |

Technical data

Dimensions

| | |
|--|---------|
| Length (b) | 19.5 mm |
| Sleeve length | 10 mm |
| Inner dimension of the insulating collar (d) | 7 mm |
| Ferrule diameter | 1.8 mm |
| Insulating collar thickness | 0.3 mm |
| Sleeve wall thickness | 0.15 mm |

Ambient conditions

| | |
|----------------------------|--------|
| Short-term temperature | 120 °C |
| Max. permanent temperature | 105 °C |

General

| | |
|---|--------------------------------|
| Color | black |
| Components | free from silicone and halogen |
| Inflammability class according to UL 94 | HB |
| Material | E-CU |

classifications

eCl@ss

| | |
|------------|----------|
| eCl@ss 4.0 | 27060701 |
|------------|----------|

Ferrule - Al-XL 1,5-10 BK - 3201974

classifications

eCl@ss

| | |
|------------|----------|
| eCl@ss 4.1 | 27060701 |
| eCl@ss 5.0 | 27400201 |
| eCl@ss 5.1 | 27400201 |
| eCl@ss 6.0 | 27400201 |
| eCl@ss 7.0 | 27400201 |
| eCl@ss 8.0 | 27400201 |

ETIM

| | |
|----------|----------|
| ETIM 2.0 | EC000005 |
| ETIM 3.0 | EC000005 |
| ETIM 4.0 | EC000005 |
| ETIM 5.0 | EC000005 |


UNSPSC

| | |
|---------------|----------|
| UNSPSC 6.01 | 30212109 |
| UNSPSC 7.0901 | 27121703 |
| UNSPSC 11 | 27121703 |
| UNSPSC 12.01 | 27121703 |
| UNSPSC 13.2 | 27121703 |

approvals

CSA / CSAus / cCSAus /

Approval details

| | |
|---|--|
|  | |
| Nominal voltage UN | |
| Nominal current IN | |
| mm ² /AWG/kcmil | |

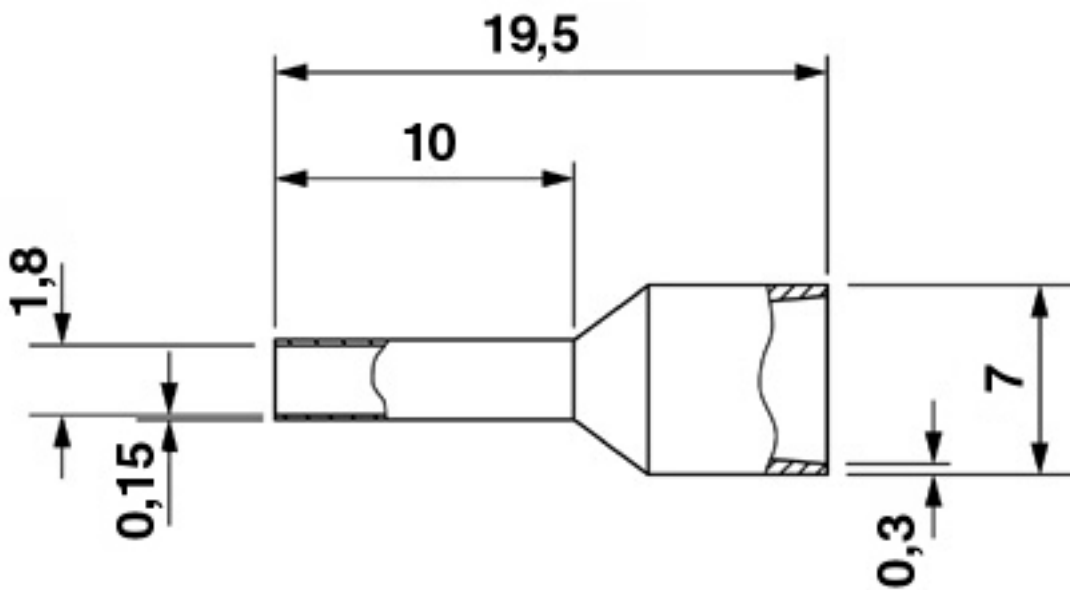
| | |
|----------------------------|--|
| CSAus | |
| Nominal voltage UN | |
| Nominal current IN | |
| mm ² /AWG/kcmil | |

| |
|---------------|
| cCSAus |
|---------------|

Drawings

Ferrule - Al-XL 1,5-10 BK - 3201974

Dimensioned drawing



© Phoenix Contact 2013 - all rights reserved
<http://www.phoenixcontact.com>