

Housing - HC-B 10-TMB-100/O1STM25S-STA - 1604324

Please be informed that the data shown in this PDF Document is generated from our Online Catalog. Please find the complete data in the user's documentation. Our General Terms of Use for Downloads are valid (<http://download.phoenixcontact.com>)



HEAVYCON ADVANCE standard powder-coated, sleeve housing B10, with bayonet locking, height 100 mm, with 1xM25 thread, lateral cable outlet

Key commercial data

package_quantity	10
GTIN	4017918948009

Technical data

Dimensions

Height	100 mm
Width	57 mm
Length	105 mm
Length of the assembly cutout	65 mm
Width of the assembly cutout	35 mm

Ambient conditions

Degree of protection for housing	IP65
Degree of protection for housing	IP67
Ambient temperature (operation)	-40 °C ... 125 °C

General

Note	For contact inserts HC-B10, BB18, DD42, M, K8/24
Design	B10
Housing type	Sleeve housings
Locking type	Bayonet locking
No. of cable exits	1
Cable exit	Lateral
Screw connection	None
Type of the screw connection	1x M25
Housing material	Aluminum die-cast
Housing surface material	Powder-coated, gray
Seal material	NBR
Material lock	High-grade steel
Material grip body interlock	PA-GF

Housing - HC-B 10-TMB-100/O1STM25S-STA - 1604324

Technical data

General

Assembly instructions	In order to guarantee that the ground conductor contact functions even when plugged in at an angle, the two panel mounting flanges must have sufficient electrical contact with the metal mounting panel.
------------------------------	---

classifications

eCl@ss

eCl@ss 4.0	272607xx
eCl@ss 4.1	27260701
eCl@ss 5.0	27143424
eCl@ss 5.1	27143424
eCl@ss 6.0	27371205
eCl@ss 7.0	27371205
eCl@ss 8.0	27371205

ETIM

ETIM 2.0	EC000437
ETIM 3.0	EC000437
ETIM 4.0	EC000437
ETIM 5.0	EC000437

UNSPSC

UNSPSC 6.01	31261502
UNSPSC 7.0901	31261502
UNSPSC 11	31261502
UNSPSC 12.01	31261502
UNSPSC 13.2	31261502

accessories

Panel mounting flange

HC-B-BF - 1604641



Housing - HC-B 10-TMB-100/O1STM25S-STA - 1604324

accessories

HC-B-BF-SET - 1604654



Protective cover

HC-B 10-TMB-SD-IP65 - 1690943



Full screw connection

HC-K-KV-M25(11-17) - 1690639



HC-M-KV-M25(11-16) - 1690574



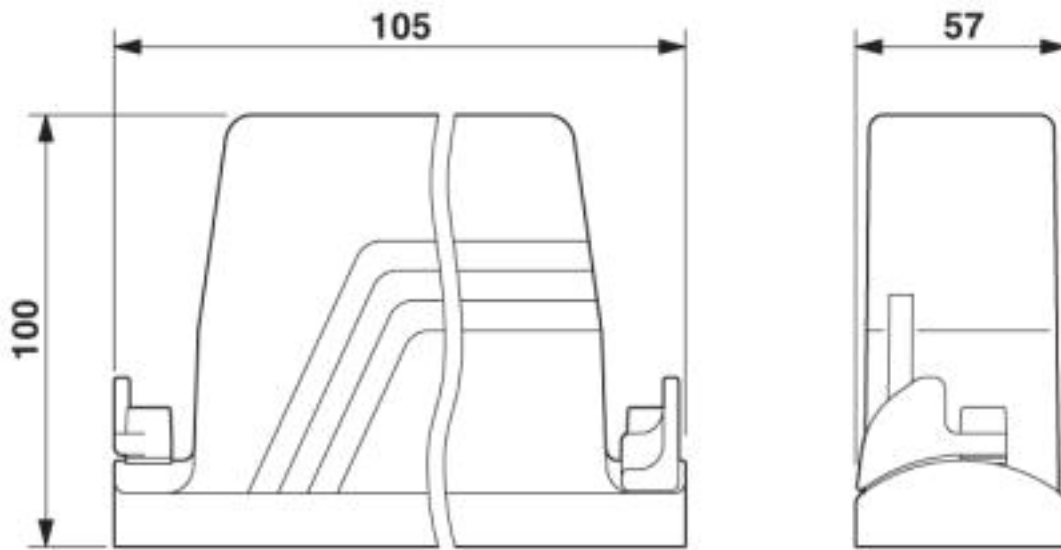
HC-M-KV-M25(14-21) - 1646007



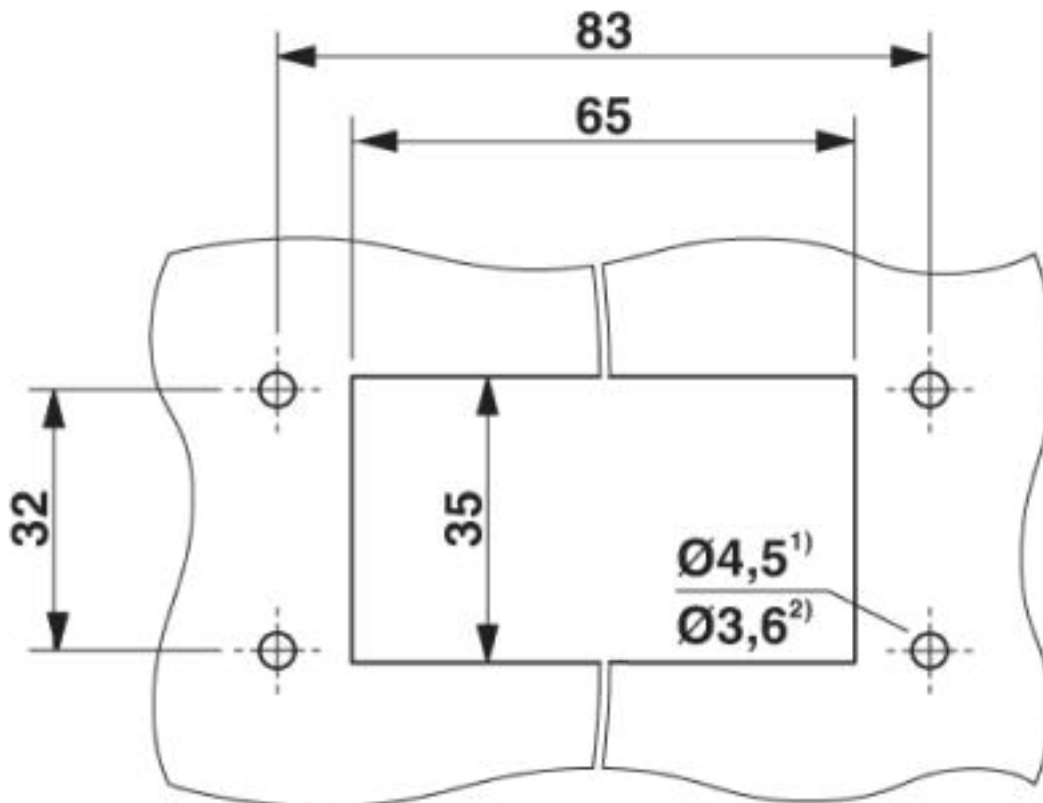
Drawings

Housing - HC-B 10-TMB-100/O1STM25S-STA - 1604324

Dimensioned drawing



Dimensioned drawing



Panel cutout²⁾ When self-tapping screws are used (Torx® 20, M4)

