

Ferrule - AI-WM 0,75-8 GY - 3240543

Please be informed that the data shown in this PDF Document is generated from our Online Catalog. Please find the complete data in the user's documentation. Our General Terms of Use for Downloads are valid (<http://download.phoenixcontact.com>)



Ferrule with insulating collar that can be labeled. When using the magazine, the ferrules can be labeled with BLUEMARK.

Product Features

- Corresponding crimping pliers from the TOOL fox tool range can be found in the CLIPLINE catalog, part 2
- Ferrules can be labeled with BLUEMARK
- Crimping and marking in one step
- Highly resistant and optimum printing quality thanks to modern UV printing technology
- Electrogalvanized
- Ferrules made from electrolytic copper

Key commercial data

package_quantity	780
GTIN	4046356528139

Technical data

Dimensions

Length (b)	29 mm
Width (a)	4.6 mm
Sleeve length	8 mm
Inner dimension of the insulating collar (d)	2.9 mm
Ferrule diameter	1.6 mm
Sleeve wall thickness	0.15 mm
Inner diameter (f)	1.3 mm

Ambient conditions

Ambient temperature (operation)	-40 °C ... 120 °C
--	-------------------

General

Color	gray
Components	free from silicone and halogen
Inflammability class according to UL 94	HB
Material	E-CU

Ferrule - AI-WM 0,75-8 GY - 3240543

classifications

eCl@ss

eCl@ss 4.0	27060701
eCl@ss 4.1	27060701
eCl@ss 5.0	27400201
eCl@ss 5.1	27400201
eCl@ss 6.0	27400201
eCl@ss 7.0	27400201
eCl@ss 8.0	27400201

ETIM

ETIM 3.0	EC000005
ETIM 4.0	EC000005
ETIM 5.0	EC000005

UNSPSC

UNSPSC 6.01	30212109
UNSPSC 7.0901	27121703
UNSPSC 11	27121703
UNSPSC 12.01	27121703
UNSPSC 13.2	27121703

approvals

GOST /

Approval details



accessories

Magazine

BLUEMARK MAG AI-WM - 5146567



Crimping tool

Ferrule - AI-WM 0,75-8 GY - 3240543

accessories

CRIMPFOX 6 - 1212034



CRIMPFOX 6S-F - 1212043



Stripping tool

WIREFOX 2,5 - 1212368



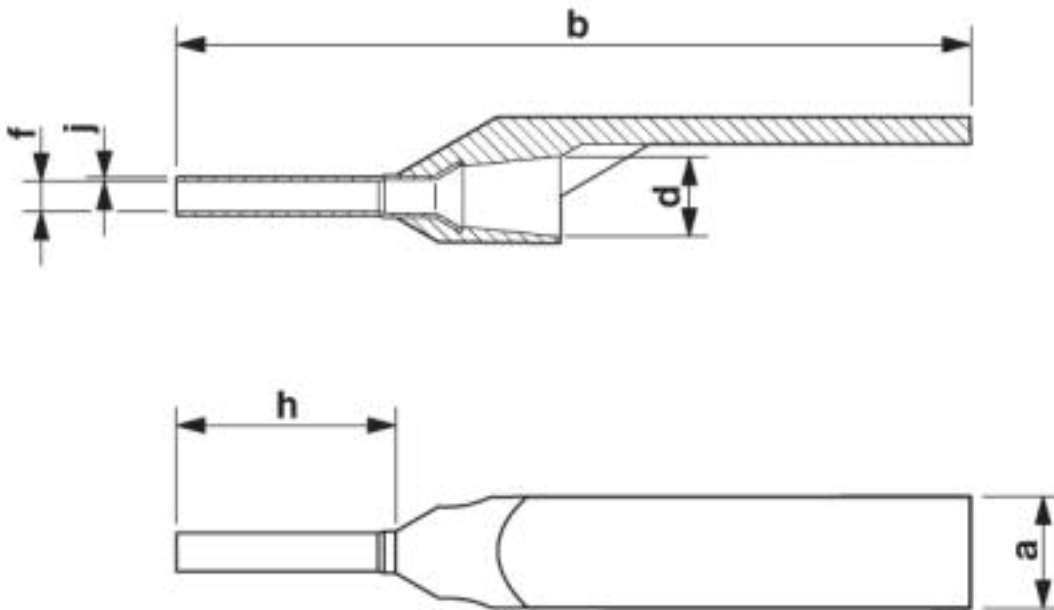
WIREFOX 10 - 1212150



Drawings

Ferrule - Al-WM 0,75-8 GY - 3240543

Dimensioned drawing



© Phoenix Contact 2013 - all rights reserved
<http://www.phoenixcontact.com>