

# Sensor/actuator box header - SACB-4/ 8-L-C GG SCO - 1516739

Please be informed that the data shown in this PDF Document is generated from our Online Catalog. Please find the complete data in the user's documentation. Our General Terms of Use for Downloads are valid (<http://download.phoenixcontact.com>)



Sensor/actuator box header, Connection method: M12-SPEEDCON-socket Metal, Number of slots: 4, Number of positions: 5, Slot assignment: Double, Status indication: Yes, pnp; Master cable connection: Pluggable screw connection, Shielding: No



## Key commercial data

package_quantity	1
GTIN	4017918967468

## Technical data

### General

Rated voltage	24 V DC
Max. operating voltage $U_{max}$	30 V DC
Current carrying capacity per I/O signal	2 A
Current carrying capacity per slot	4 A
Total rated current	10 A
Total rated current	2x 8 A (For electrical isolation)
Number of positions	5
Number of slots	4
Inflammability class according to UL 94	V0
Sensor/actuator connection system	M12-SPEEDCON-socket

### Ambient conditions

Degree of protection	IP65
Degree of protection	IP67
Degree of protection	IP69K
Ambient temperature (operation)	-30 °C ... 80 °C

### Local diagnostics function

Local diagnostics	Supply voltage per module Green LED
Local diagnostics	Status display I/O Yellow LED

### Master cable data/connection data

Connection method	Pluggable screw connection
Tightening torque slot sensor/actuator cable	0.4 Nm

# Sensor/actuator box header - SACB-4/ 8-L-C GG SCO - 1516739

## Technical data

### Master cable data/connection data

Tightening torque screw plug	0.4 Nm
------------------------------	--------

### Insulation material

Housing material	PBT
Material of the moulding mass	PUR
Contact material	Cu alloy
Contact surface material	Gold-plated
Contact carrier material	PA
Material of contact, master cable side	CU alloy
Material of contact surface, master cable side	Gold-plated
Material of the contact carrier on the master cable side	PA 66 V0
Material of threaded sleeve	Zinc die-cast
Material of threaded sleeve surface	Nickel-plated
Material, O-ring	NBR

### Pin assignment

Slot/position = Wire color or connection	1 / 4 (A) = 1 / 4
Slot/position = Wire color or connection	1 / 2 (B) = 1 / 2
Slot/position = Wire color or connection	2 / 4 (A) = 2 / 4
Slot/position = Wire color or connection	2 / 2 (B) = 2 / 2
Slot/position = Wire color or connection	3 / 4 (A) = 3 / 4
Slot/position = Wire color or connection	3 / 2 (B) = 3 / 2
Slot/position = Wire color or connection	4 / 4 (A) = 4 / 4
Slot/position = Wire color or connection	4 / 2 (B) = 4 / 2
Slot/position = Wire color or connection	1-4 / 1 (+ 24 V) = U <sub>N</sub>
Slot/position = Wire color or connection	1-4 / 3 (0 V) = 0 V
Slot/position = Wire color or connection	1-4 / 5 (PE) = PE

## classifications

### eCl@ss

eCl@ss 4.0	27140815
eCl@ss 4.1	27140815
eCl@ss 5.0	27143423
eCl@ss 5.1	27143423
eCl@ss 6.0	27143423
eCl@ss 7.0	27449001
eCl@ss 8.0	27449001

### ETIM

ETIM 2.0	EC000200
ETIM 3.0	EC001856
ETIM 4.0	EC002585

# Sensor/actuator box header - SACB-4/ 8-L-C GG SCO - 1516739

## classifications

### ETIM

<b>ETIM 5.0</b>	EC002585
-----------------	----------


### UNSPSC


<b>UNSPSC 6.01</b>	31261501
<b>UNSPSC 7.0901</b>	31261501
<b>UNSPSC 11</b>	31261501
<b>UNSPSC 12.01</b>	31261501
<b>UNSPSC 13.2</b>	31261501


## approvals


UL Recognized / cUL Recognized / GOST / cULus Recognized /

### Approval details

<b>UL Recognized</b> 	
Nominal voltage UN	24 V
Nominal current IN	3 A
mm <sup>2</sup> /AWG/kcmil	

<b>cUL Recognized</b> 	
Nominal voltage UN	24 V
Nominal current IN	3 A
mm <sup>2</sup> /AWG/kcmil	

<b>GOST</b> 
---

<b>cULus Recognized</b> 
---

## accessories

### Protective cap

## Sensor/actuator box header - SACB-4/ 8-L-C GG SCO - 1516739

accessories

PROT-MS SCO - 1553129



---

### Device marking

SS-ZB 17,5 WH - 0804963



---

### Torque tool

TSD 04 SAC - 1208429



---

### Screwdriver tools

SAC BIT M12-D15 - 1208432



SACC BIT M12-D20 - 1208445



# Sensor/actuator box header - SACB-4/ 8-L-C GG SCO - 1516739

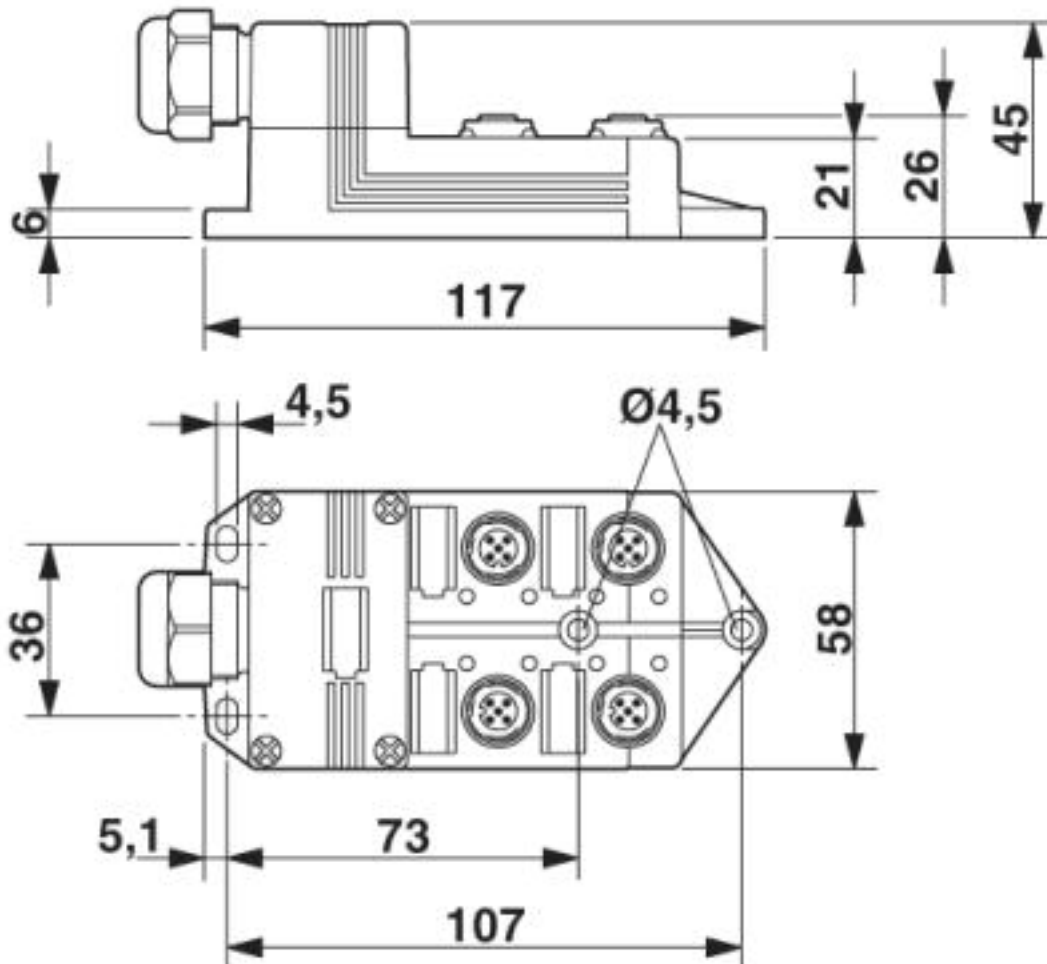
accessories

SZK PZ1 VDE - 1206450



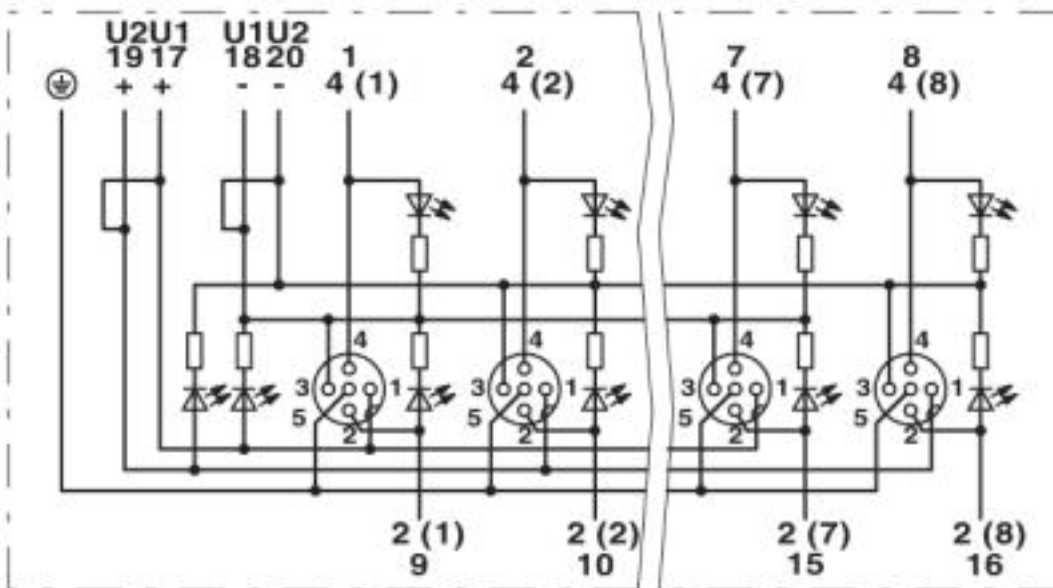
## Drawings

Dimensioned drawing



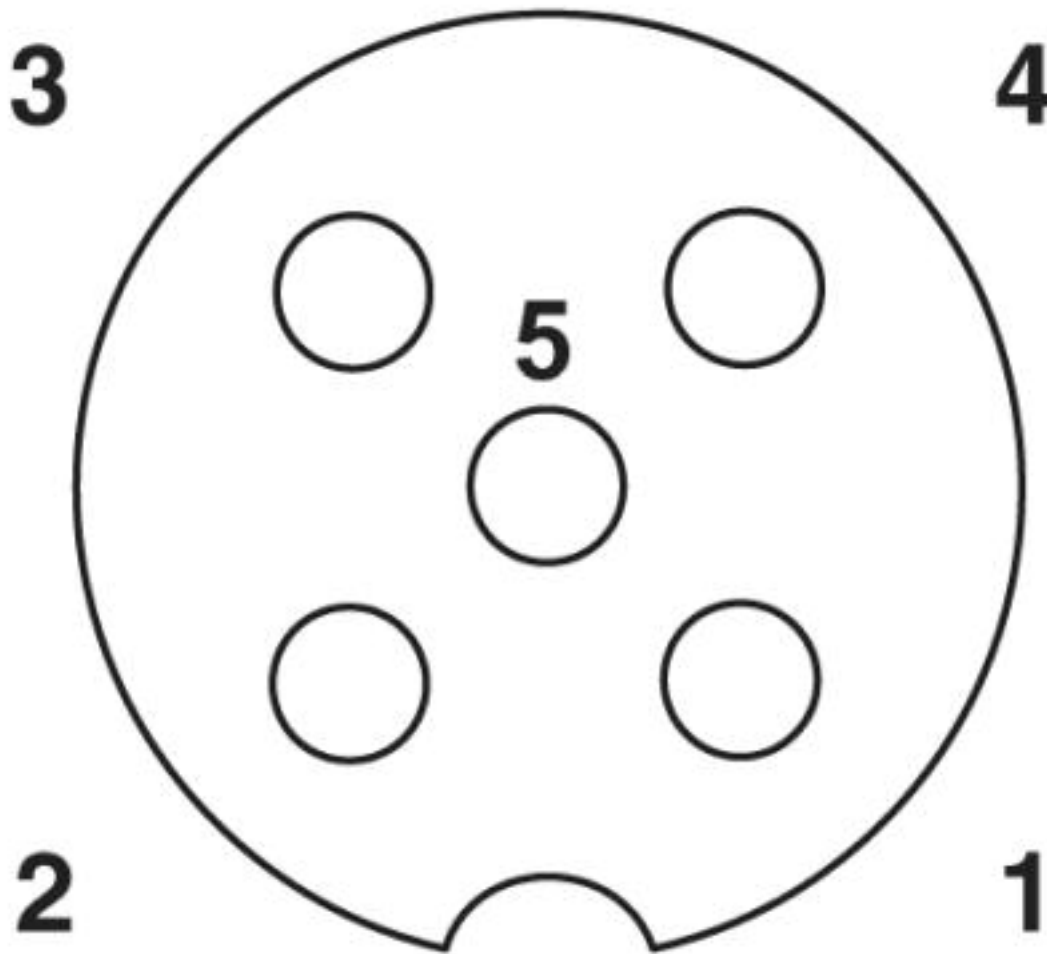
# Sensor/actuator box header - SACB-4/ 8-L-C GG SCO - 1516739

Circuit diagram



# Sensor/actuator box header - SACB-4/ 8-L-C GG SCO - 1516739

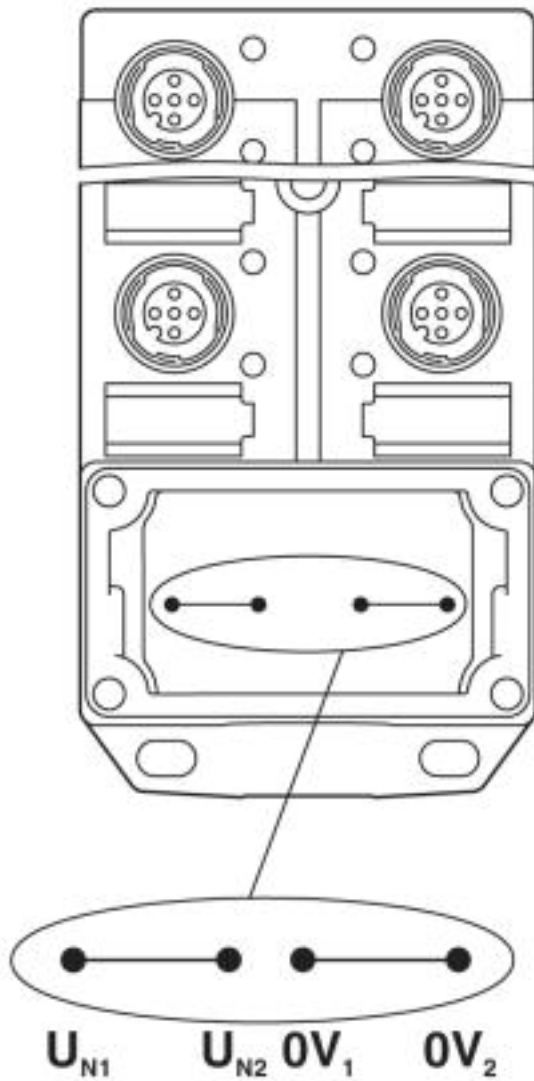
Schematic diagram



M12 slot, socket, 5-pos.

# Sensor/actuator box header - SACB-4/ 8-L-C GG SCO - 1516739

Schematic diagram

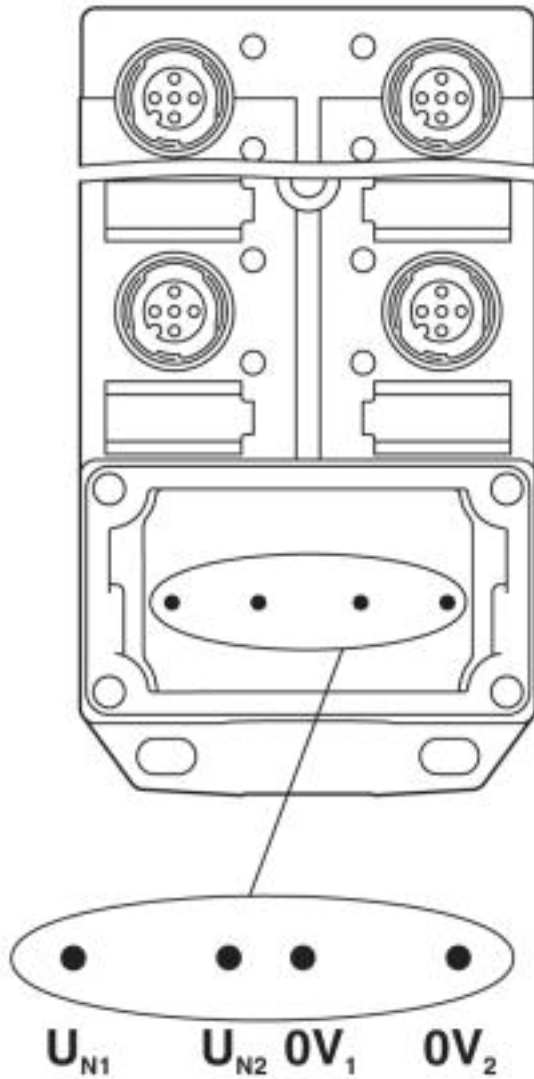


Potential  $U_{N1}$  and  $U_{N2}$  bridged. Potential assignment:  $U_{N1} = U_{N2} =$  slots 1,2,3,4.



## Sensor/actuator box header - SACB-4/ 8-L-C GG SCO - 1516739

Schematic diagram



Electrically isolated. Potential assignment:  $U_{N1}$  = slots 1,3 and  $U_{N2}$  = slots 2,4.

© Phoenix Contact 2013 - all rights reserved  
<http://www.phoenixcontact.com>