

# Sleeve housing - VC-K-T4-R - 1855128

Please be informed that the data shown in this PDF Document is generated from our Online Catalog. Please find the complete data in the user's documentation. Our General Terms of Use for Downloads are valid (<http://download.phoenixcontact.com>)



Plastic sleeve housing, locking screws with knurled head, type 4, cable screw connection Pg21

## Product Features

- Seals with two cable entries are available
- Angled cable outlet so the cable can be routed as desired, from the side and straight

## Key commercial data

<b>package_quantity</b>	5
<b>GTIN</b>	4017918159269

## Technical data

### Dimensions

<b>Height</b>	75 mm
---------------	-------

### Ambient conditions

<b>Degree of protection</b>	IP67
<b>Ambient temperature (operation)</b>	-40 °C ... 80 °C

### General

<b>Note</b>	When using fiber optics, the bending radii of the cable manufacturers must be observed.
<b>Design</b>	VC4
<b>Degree of protection</b>	IP67
<b>Inflammability class according to UL 94</b>	V0
<b>Locking type</b>	Screw locking, knurled head
<b>Fixing screws</b>	M4
<b>Tightening torque, mounting screw</b>	1.5 Nm ± 0.3 Nm
<b>Type of the screw connection</b>	Pg21
<b>Pg screw connection</b>	None
<b>Cable exit</b>	Angled
<b>Housing material</b>	Polyamide
<b>Seal material</b>	EPDM
<b>Ambient temperature (operation)</b>	-40 °C ... 80 °C

# Sleeve housing - VC-K-T4-R - 1855128

## classifications

### eCl@ss

eCl@ss 4.0	27140816
eCl@ss 4.1	27140816
eCl@ss 5.0	27371205
eCl@ss 5.1	27371205
eCl@ss 6.0	27371205
eCl@ss 7.0	27371205
eCl@ss 8.0	27371205

### ETIM

ETIM 2.0	EC000437
ETIM 3.0	EC000437
ETIM 4.0	EC000437
ETIM 5.0	EC000437

### UNSPSC

UNSPSC 6.01	31261501
UNSPSC 7.0901	31261501
UNSPSC 11	31261501
UNSPSC 12.01	31261501
UNSPSC 13.2	31261501

## approvals

---

GOST / GOST /

---

### Approval details



## accessories

### Half screw connection

## Sleeve housing - VC-K-T4-R - 1855128

### accessories

VC-K-KV-PG21( 7-10,5) - 1853890



VC-K-KV-PG21( 9-13) - 1853900



VC-K-KV-PG21(11,5-15,5) - 1853913



VC-K-KV-PG21(14-18) - 1853926



VC-K-KV-PG21(17-20,5) - 1853939



VC-K-KV-PG21(20X7) - 1885198



## Sleeve housing - VC-K-T4-R - 1855128

accessories

---

VC-K-KV-PG21-O - 1885363

---

VC-M-KV-PG21/M32 ST - 1644397



**Multiple screw connection**

---

VC-K-KV-PG21 1X6/2X9 - 1885538



VC-K-KV-PG21-1X8,5/1X12 - 1885279



VC-K-KV-PG21-2X4,5/1X13 - 1885282



## Sleeve housing - VC-K-T4-R - 1855128

### accessories

VC-K-KV-PG21 2X6/2X8 - 1885554



VC-K-KV-PG21 2X7,2/1X10,5 - 1885567



VC-K-KV-PG21 3X7 - 1885570



VC-K-KV-PG21 3X9 - 1885583



VC-K-KV-PG21 4X6,5 - 1885596



VC-K-KV-PG21 4X8 - 1885606



# Sleeve housing - VC-K-T4-R - 1855128

accessories

---

accessories

VC-BZS WH - 1852875

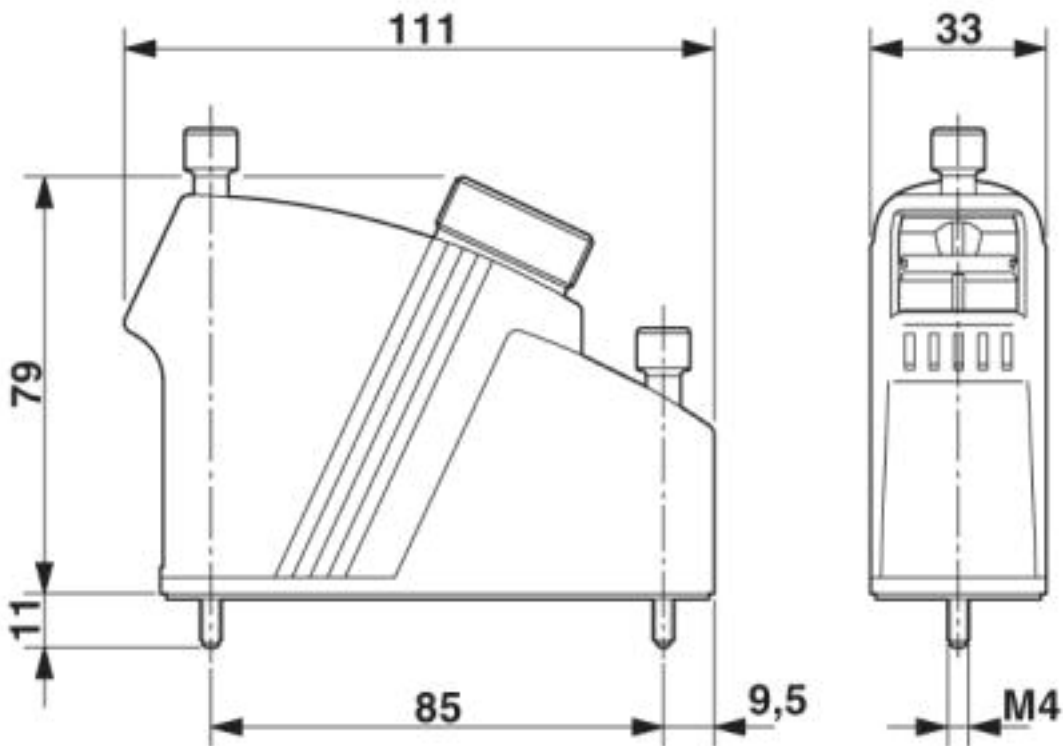


---

## Drawings

Dimensioned drawing

Dimensioned drawing



Dimensioned drawing

