

# Shield connection terminal block - SKS 8-D - 3240213

Please be informed that the data shown in this PDF Document is generated from our Online Catalog. Please find the complete data in the user's documentation. Our General Terms of Use for Downloads are valid (<http://download.phoenixcontact.com>)



Shield connection terminal block, for applying the shield directly to the conductive mounting plates

## Product Features

- The SKS ... spring shield connection clamps are available for cable and conductor diameters of 3 to 20 mm
- According to the requirements of the directive and standards for electrical equipment in potentially explosive areas, as components, shield connections are not able to gain certification. As such, shield connection clamps of type SKS can be used in the Ex area even without appropriate approval and identification.
- The SKS ... spring shield connection clamps are available for cable and conductor diameters of 3 to 20 mm
- Three different mounting types supported: on NS 35 DIN rails, on busbars or directly on conductive mounting plates

## Key commercial data

<b>package_quantity</b>	10
<b>GTIN</b>	4046356458665

## Technical data

### General

<b>Number of levels</b>	1
<b>Number of connections</b>	1
<b>Color</b>	silver

### Dimensions

<b>Length</b>	18 mm
<b>Width</b>	12.4 mm
<b>Height</b>	26.00 mm

### Connection data

<b>Conductor cross section solid min.</b>	3 mm <sup>2</sup>
<b>Conductor cross section solid max.</b>	8 mm <sup>2</sup>
<b>Conductor cross section stranded min.</b>	3 mm <sup>2</sup>
<b>Conductor cross section stranded max.</b>	8 mm <sup>2</sup>
<b>Conductor cross section AWG/kcmil min.</b>	12
<b>Conductor cross section AWG/kcmil max</b>	8
<b>Screw thread</b>	M4
<b>Connection method</b>	Spring-cage

# Shield connection terminal block - SKS 8-D - 3240213

## classifications

### eCl@ss

eCl@ss 4.0	27141131
eCl@ss 4.1	27141131
eCl@ss 5.0	27141131
eCl@ss 5.1	27141131
eCl@ss 6.0	27141150
eCl@ss 7.0	27141150
eCl@ss 8.0	27141150

### ETIM

ETIM 2.0	EC000897
ETIM 3.0	EC000897
ETIM 4.0	EC000001
ETIM 5.0	EC002020

### UNSPSC

UNSPSC 6.01	30211811
UNSPSC 7.0901	39121410
UNSPSC 11	39121410
UNSPSC 12.01	39121410
UNSPSC 13.2	39121410

## approvals

GOST /

### Approval details



## accessories

### Support

AB-SK - 3025341



# Shield connection terminal block - SKS 8-D - 3240213

accessories

AB/SS - 0404428



---

## Pick-off terminal block

AK 4 - 0404017



---

## Installation terminal block

AKG 4 GNYE - 0421029



---

AKG 4 BK - 0421032

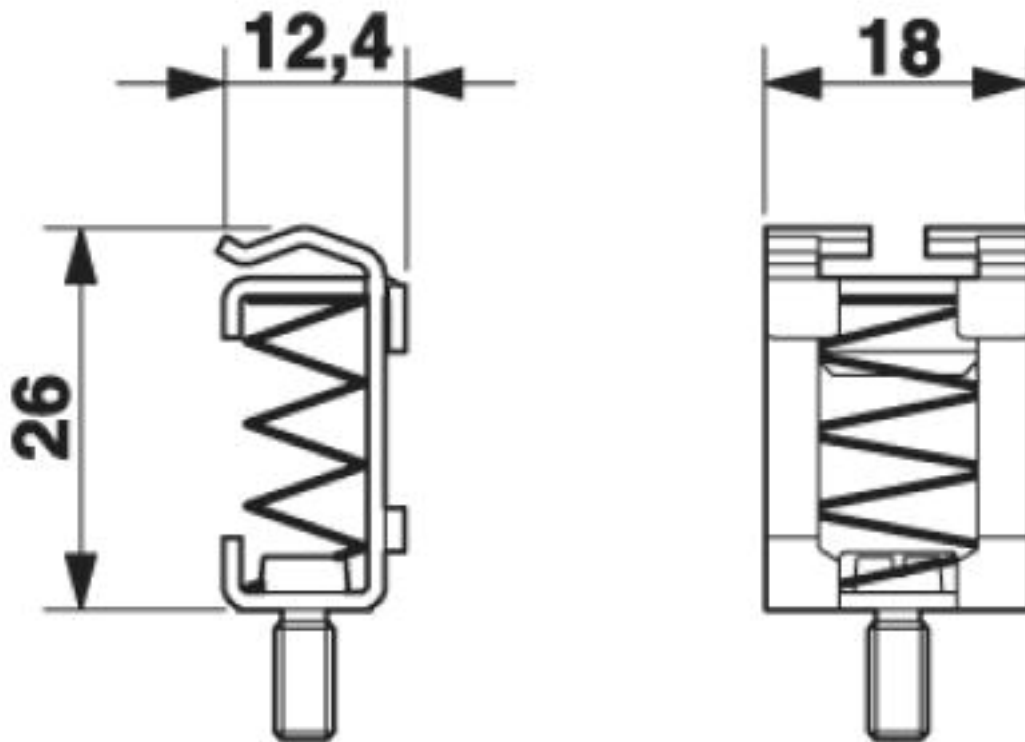


---

Drawings

## Shield connection terminal block - SKS 8-D - 3240213

Dimensioned drawing



© Phoenix Contact 2013 - all rights reserved  
<http://www.phoenixcontact.com>