

Patch panels - VS-PP-F-SCRJ - 1658121

Please be informed that the data shown in this PDF Document is generated from our Online Catalog. Please find the complete data in the user's documentation. Our General Terms of Use for Downloads are valid (<http://download.phoenixcontact.com>)



Patch panel, SCRJ, DIN rail mounting, IP20, 1 slot, socket/socket, can be used for glass, multi-mode, HCS, and polymer fibers

Key commercial data

package_quantity	1
GTIN	4046356149167

Technical data

Mechanical characteristics

Number of positions	2
Number of slots	1
Connection profile	SCRJ according to DIN EN 50377-6-1
Fiber type	GOF, HCS, POF
Ferrule diameter	2.50 mm
Insertion/withdrawal cycles	≥ 500
External cable diameter	4.5 mm ... 8 mm
Color	gray

Ambient conditions

Ambient temperature (operation)	-10 °C ... 60 °C
Degree of protection	IP20

Material data

Inflammability class according to UL 94	V0
Housing material	PC-GF
Ferrule material	Zirconia ceramics
Ferrule holder color	White

Electrical characteristics

Number of positions	2
----------------------------	---

classifications

eCl@ss

eCl@ss 4.0	272607XX
eCl@ss 4.1	27260701

Patch panels - VS-PP-F-SCRJ - 1658121

classifications

eCl@ss

eCl@ss 5.0	19030109
eCl@ss 5.1	19030109
eCl@ss 6.0	19170107
eCl@ss 7.0	19170112
eCl@ss 8.0	19170112

ETIM

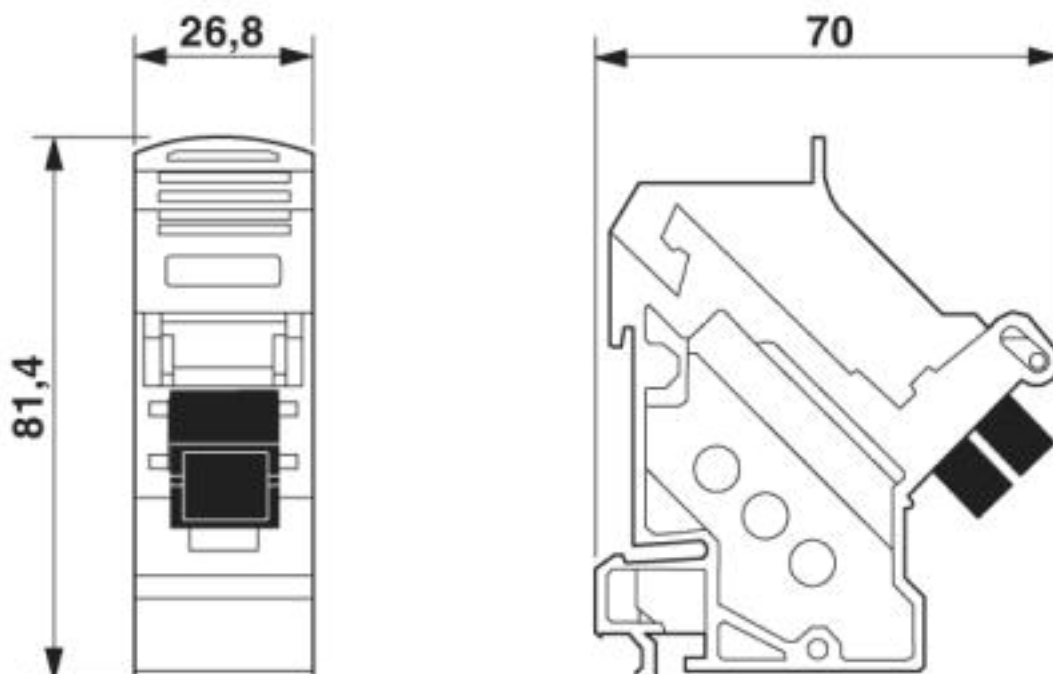
ETIM 3.0	EC001128
ETIM 4.0	EC001128
ETIM 5.0	EC001128

UNSPSC

UNSPSC 6.01	31261501
UNSPSC 7.0901	31261501
UNSPSC 11	31261501
UNSPSC 12.01	31261501
UNSPSC 13.2	31261501

Drawings

Dimensioned drawing



SCRJ patch panel