

# Sensor/Actuator cable - SAC-5P-M12MS/1,5-PUR/AD-2L - 1400794

Please be informed that the data shown in this PDF Document is generated from our Online Catalog. Please find the complete data in the user's documentation. Our General Terms of Use for Downloads are valid (<http://download.phoenixcontact.com>)



Sensor/Actuator cable, 5-position, PUR halogen-free, Black-gray RAL 7021, Plug straight M12, A-coded, on Valve connector AD (pressure switch), with 2 LEDs, Cable length: 1.5 m

## Key commercial data

package_quantity	1
GTIN	4046356510332

## classifications

### eCl@ss

eCl@ss 4.0	27060306
eCl@ss 4.1	27060306
eCl@ss 5.0	27061801
eCl@ss 5.1	27061801
eCl@ss 6.0	27061801
eCl@ss 7.0	27061801
eCl@ss 8.0	27061801

### ETIM

ETIM 3.0	EC001855
ETIM 4.0	EC001855
ETIM 5.0	EC001855

### UNSPSC

UNSPSC 6.01	31251501
UNSPSC 7.0901	31251501
UNSPSC 11	31251501
UNSPSC 12.01	31251501
UNSPSC 13.2	31251501

## accessories

### Mounting material

## Sensor/Actuator cable - SAC-5P-M12MS/1,5-PUR/AD-2L - 1400794

accessories

SAC-V-SCREW-M3-29 KNURL - 1403779



---

### Screwdriver tools

SF-BIT-PH 1-70 - 1212582



---

TSD-M SAC-BIT ADAPTER - 1212600



---

SAC BIT M12-D15 - 1208432



---

### Protective cap

PROT-M12 FS-PA-CHAIN - 1430873



---

### Safety locking

## Sensor/Actuator cable - SAC-5P-M12MS/1,5-PUR/AD-2L - 1400794

accessories

SAC-M12-EXCLIP-M - 1558988



---

### Conductor marking

PABA WH/15 - 1013151



---

PABA YE/15 - 1013698



---

PABA RD/15 - 1013944



---

### Marker carrier cable

PATO 2/15 - 1013122



## Sensor/Actuator cable - SAC-5P-M12MS/1,5-PUR/AD-2L - 1400794

### accessories

PATO 3/15 - 1013135



PATO 4/15 - 1013148



### Marker pen

B-STIFT - 1051993



### Torque tool

TSD 04 SAC - 1208429



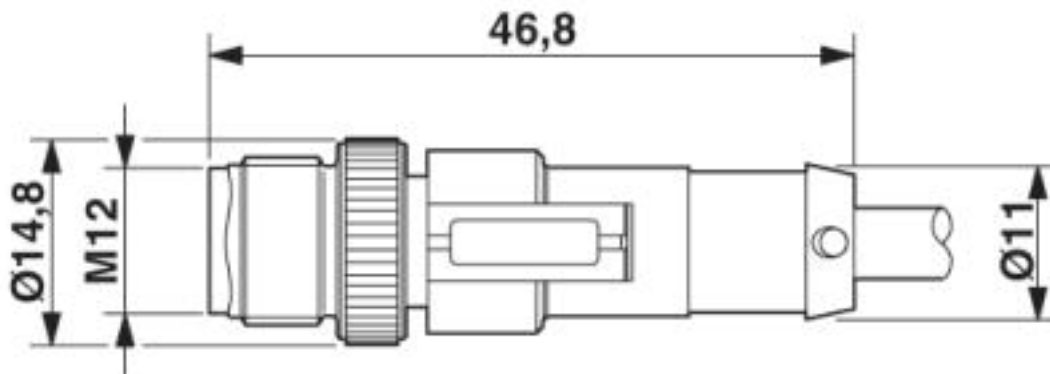
TSD-M 1,2NM - 1212224



### Drawings

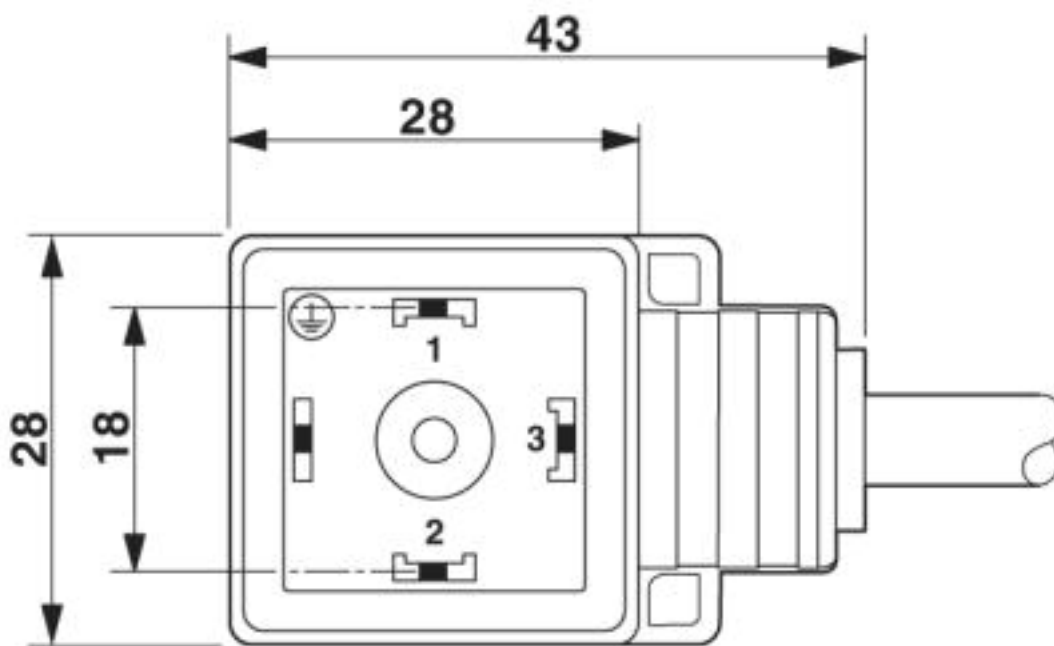
# Sensor/Actuator cable - SAC-5P-M12MS/1,5-PUR/AD-2L - 1400794

Dimensioned drawing



M12 x 1 plug, straight

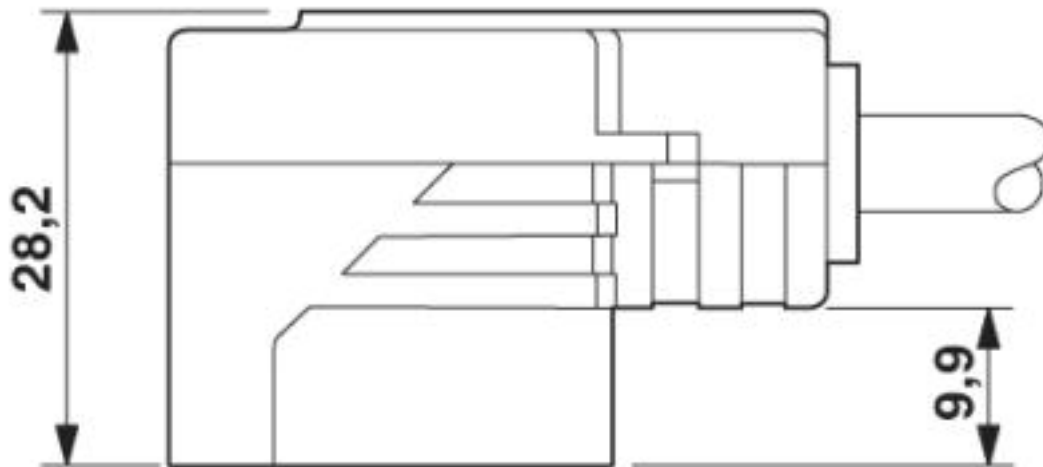
Dimensioned drawing



Valve connector, type AD

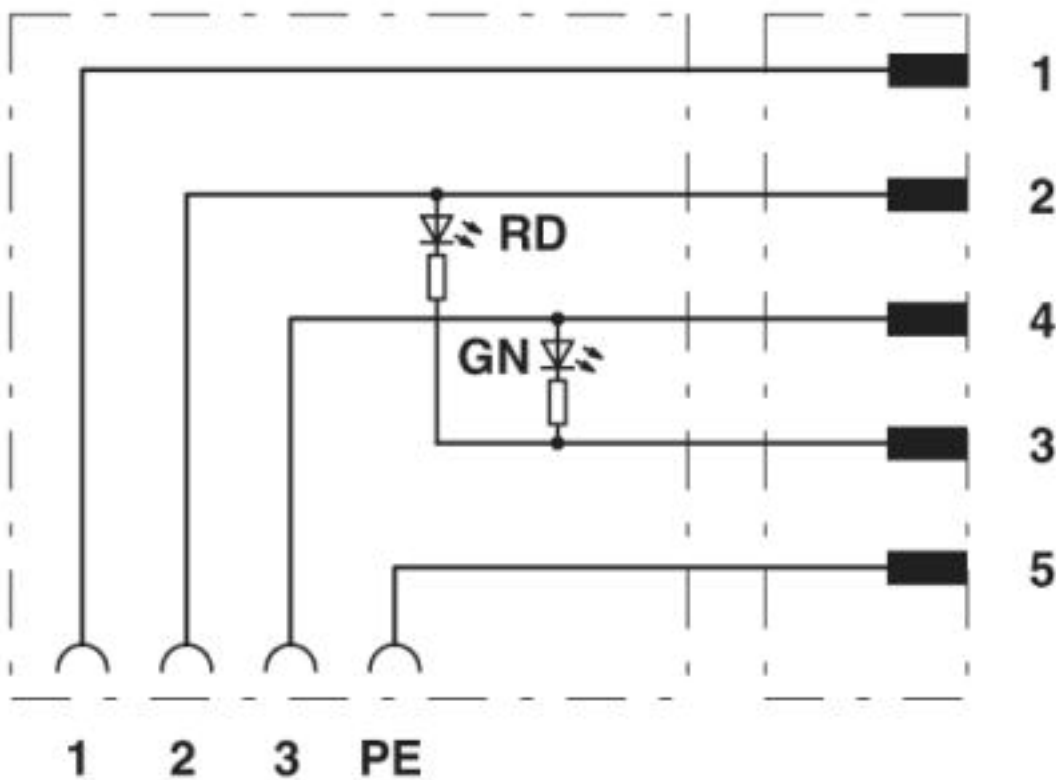
# Sensor/Actuator cable - SAC-5P-M12MS/1,5-PUR/AD-2L - 1400794

Dimensioned drawing



Valve connector, type AD, side view

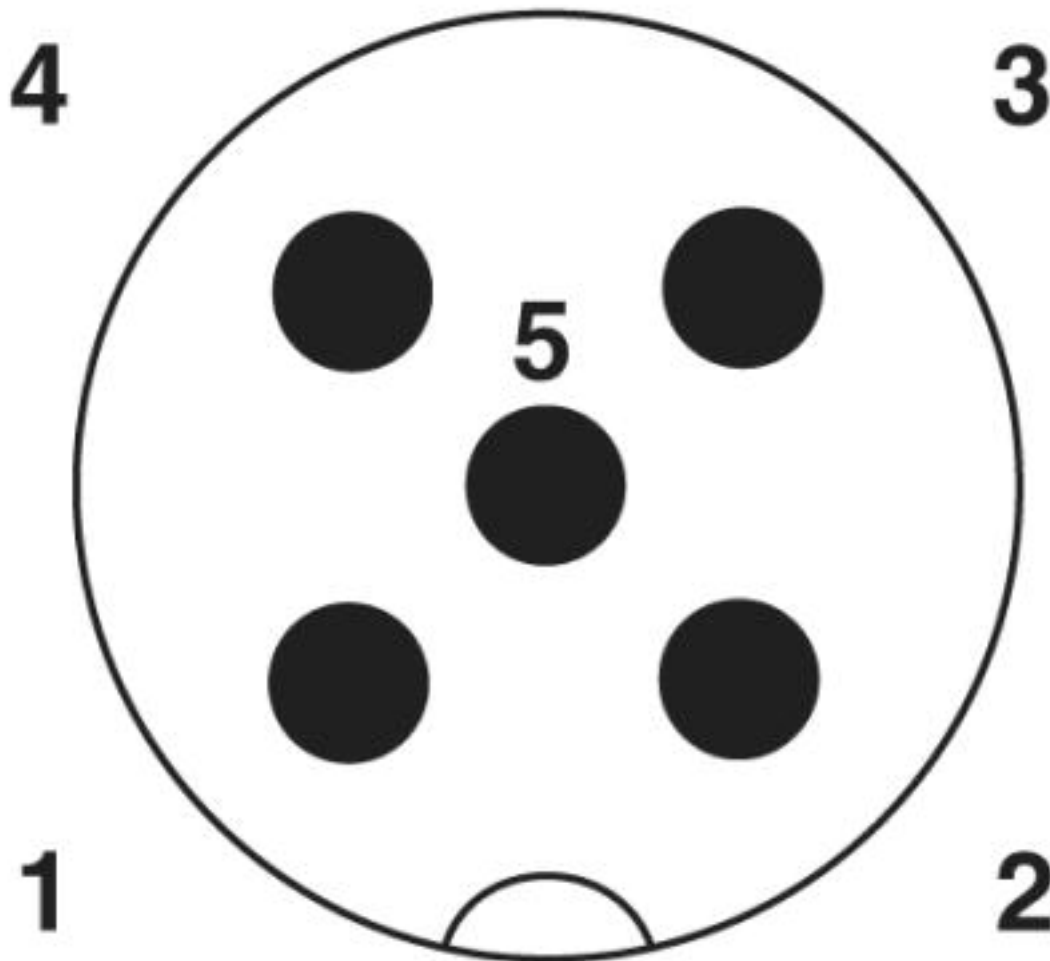
Circuit diagram



Contact assignment of M12 plug and valve connector

# Sensor/Actuator cable - SAC-5P-M12MS/1,5-PUR/AD-2L - 1400794

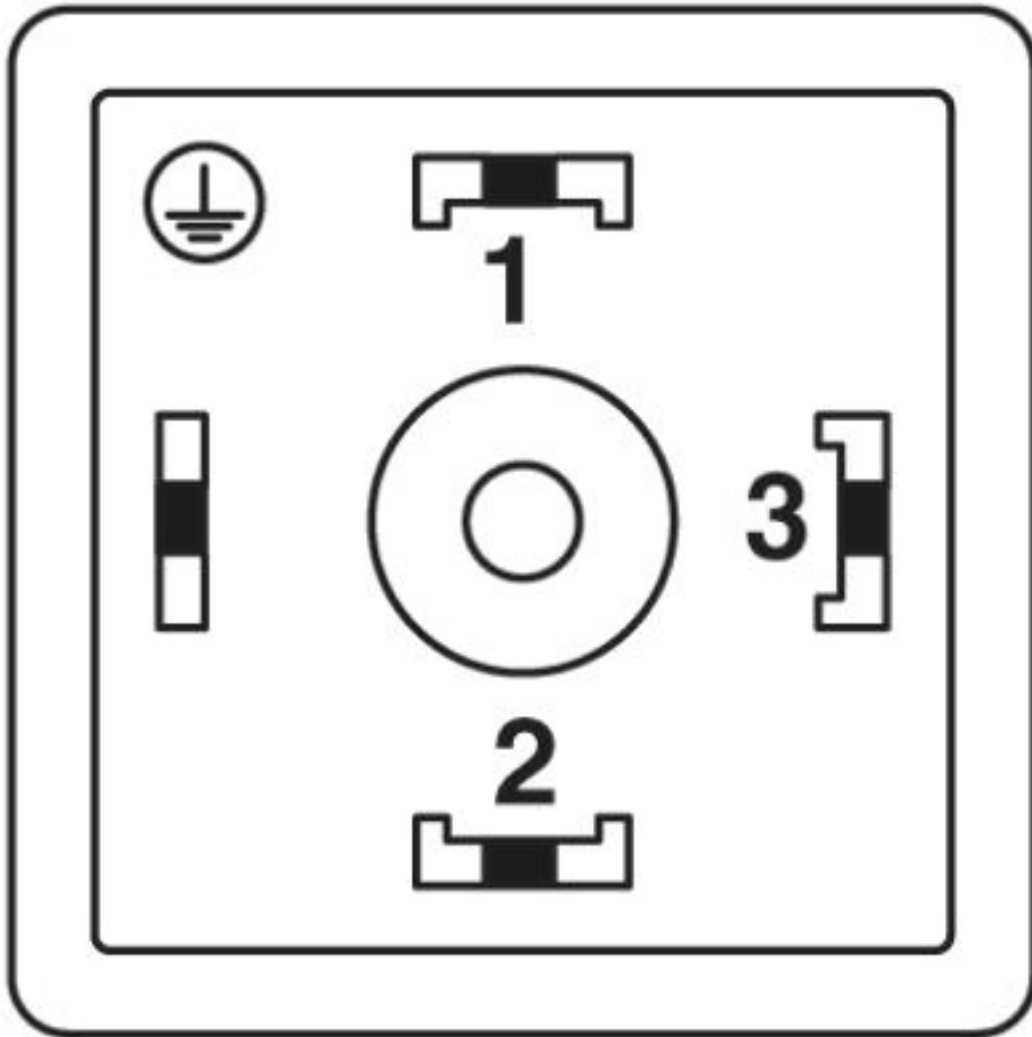
Schematic diagram



Pin assignment M12 male connector, 5-pos., A-coded, male side

# Sensor/Actuator cable - SAC-5P-M12MS/1,5-PUR/AD-2L - 1400794

Schematic diagram

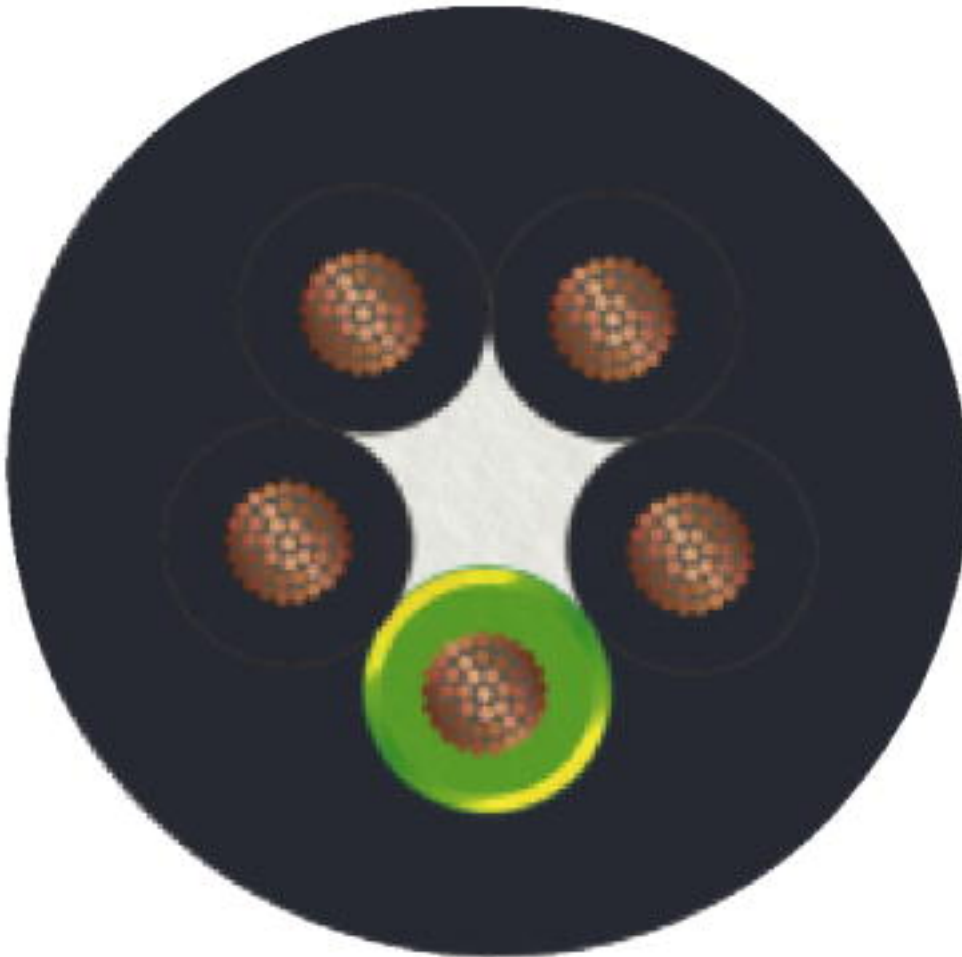


Valve plug connector pin assignment, type AD



## Sensor/Actuator cable - SAC-5P-M12MS/1,5-PUR/AD-2L - 1400794

Cable cross section



PUR halogen-free black [PUR]

© Phoenix Contact 2013 - all rights reserved  
<http://www.phoenixcontact.com>