

Contact insert - HC-B 16-ESTQ-2,5-32 - 1605653

Please be informed that the data shown in this PDF Document is generated from our Online Catalog. Please find the complete data in the user's documentation. Our General Terms of Use for Downloads are valid (<http://download.phoenixcontact.com>)



HEAVYCON male insert, B16 series, 16-pos., QUICKON connection, numbering 17-32

Key commercial data

package_quantity	10
GTIN	4017918940744

Technical data

General

Note	For HEAVYCON-ADVANCE housing of B16 type and HEAVYCON housing of B16/B32 type. Encoding using coding profile CP-HC (1686478). HC-B6.../ HC-B10... for two coding profiles. HC-B16.../ HC-B24... for four coding profiles. Connectors may only be actuated when there is no load/voltage.
Connection method	QUICKON connection
Pollution degree	3
Surge voltage category	III
Number of positions	16+PE
Insertion/withdrawal cycles	≥ 500
Design	B16
Conductor cross section	0.34 mm ² ... 2.5 mm ²
Connection cross section AWG	22 ... 14
Wire diameter including insulation	1 mm ... 3.5 mm
Frequency of connections between conductors of the same cross section	10
Assembly instructions	If the conductor is to be reconnected, it must be cut off above the last contact point.
Connection	For housings of type B16/B32. Connectors may only be actuated when there is no load/voltage.

Ambient conditions

Ambient temperature (operation)	-40 °C ... 125 °C (including heating up of contacts)
Ambient temperature (assembly)	-25 °C ... 50 °C

Material data

Inflammability class according to UL 94	V0
Contact material	Copper alloy

Contact insert - HC-B 16-ESTQ-2,5-32 - 1605653

Technical data

Material data

Contact surface material	Ag
Contact carrier material	PA
Material wire insulation	PVC / PE

Electrical characteristics

Rated voltage (III/3)	400 V
Rated surge voltage	6 kV
Rated current	16 A

classifications

eCl@ss

eCl@ss 4.0	27140816
eCl@ss 4.1	27140816
eCl@ss 5.0	27143424
eCl@ss 5.1	27143424
eCl@ss 6.0	27143424
eCl@ss 7.0	27440209
eCl@ss 8.0	27440209

ETIM

ETIM 2.0	EC000437
ETIM 3.0	EC000437
ETIM 4.0	EC000438
ETIM 5.0	EC000438

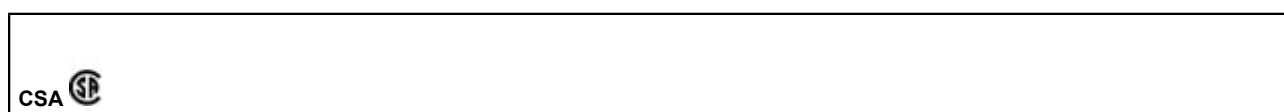
UNSPSC

UNSPSC 6.01	30211923
UNSPSC 7.0901	39121522
UNSPSC 11	39121522
UNSPSC 12.01	39121522
UNSPSC 13.2	39121522

approvals

CSA / UL Recognized / cUL Recognized / cULus Recognized /

Approval details



Contact insert - HC-B 16-ESTQ-2,5-32 - 1605653

approvals

Nominal voltage UN	600 V
Nominal current IN	10 A
mm ² /AWG/kcmil	16

UL Recognized	
Nominal voltage UN	600 V
Nominal current IN	10 A
mm ² /AWG/kcmil	16

cUL Recognized	
Nominal voltage UN	600 V
Nominal current IN	10 A
mm ² /AWG/kcmil	16

cULus Recognized	
-------------------------	--

accessories

Coding element

CP-HC - 1686478



HC-CST - 1676857



Contact insert - HC-B 16-ESTQ-2,5-32 - 1605653

accessories

HC-CBU - 1676860



HC-CB - 1772722



Mounting material

HC-B-PES - 1604997



HC-B-3PE - 1644326



HC-B-ZG - 1685327



Contact insert - HC-B 16-ESTQ-2,5-32 - 1605653

accessories

HC-B-ZS - 1685330



Plug assembly frame

HC-SMR-B16 - 1687972



Plug mounting plate

HC-SMP 125-B16-AMQ - 1660973



Adapter plate

HC-B 24-ADP-B 16-GY - 1660449



Docking frame

HC-B 16-ANDOCK - 1586138

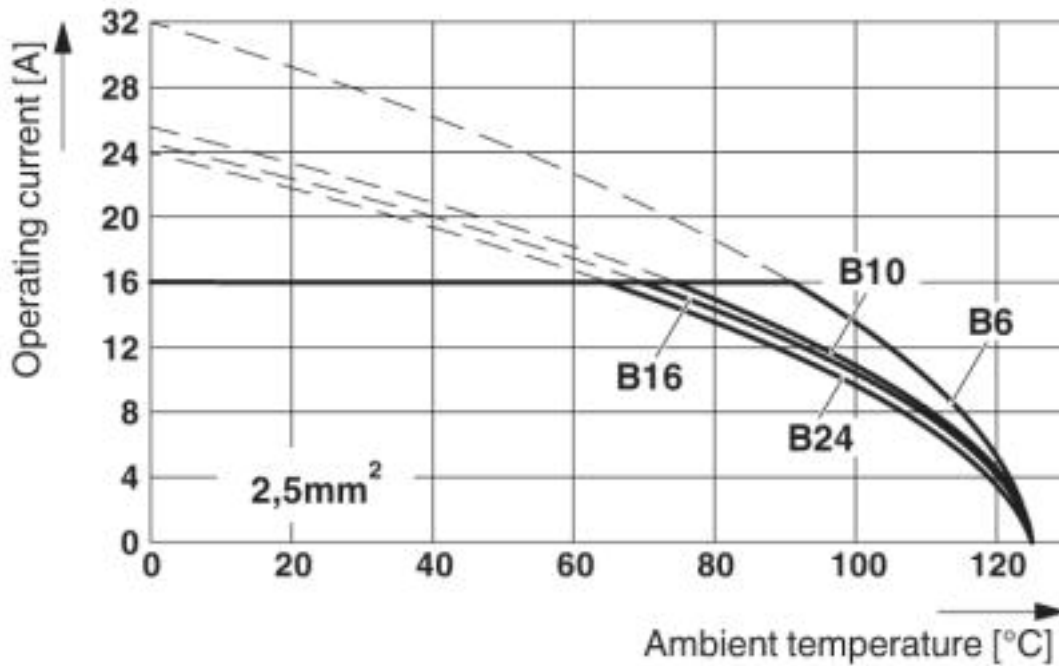


Contact insert - HC-B 16-ESTQ-2,5-32 - 1605653

accessories

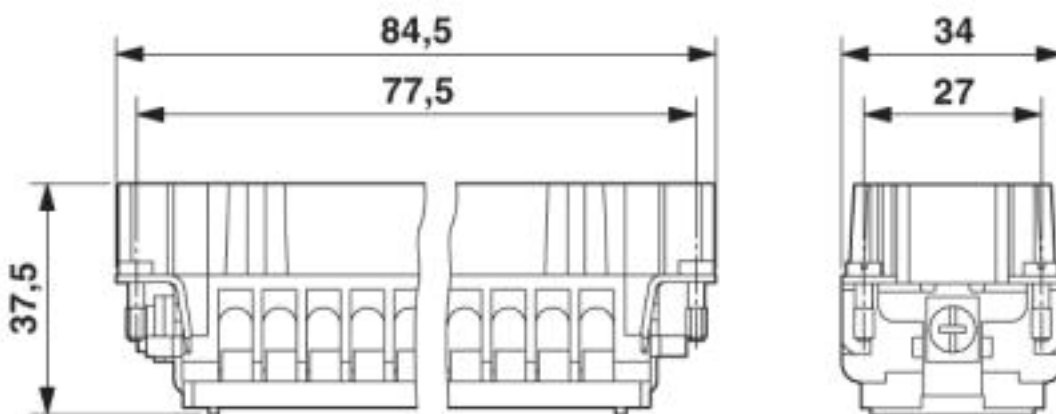
Drawings

Diagram



The illustration shows the derating diagram of various series B contact inserts (B6 to B24), conductor cross section 2.5 mm²

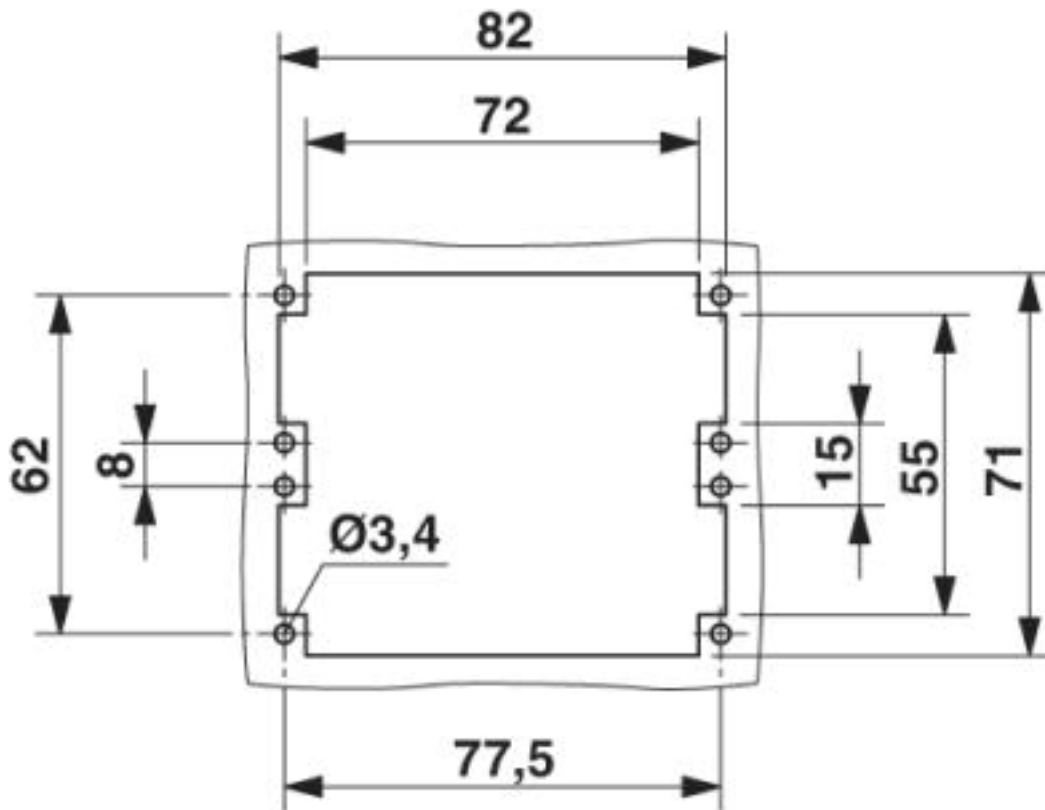
Dimensioned drawing



Male insert

Contact insert - HC-B 16-ESTQ-2,5-32 - 1605653

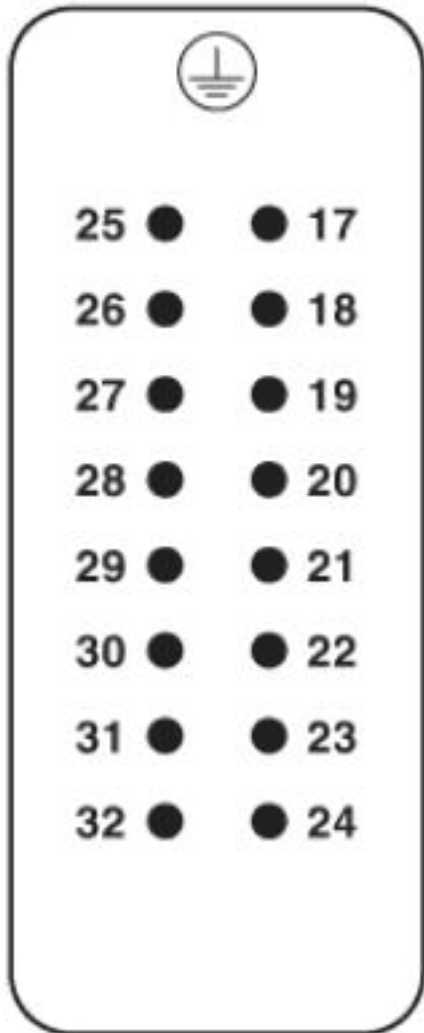
Dimensioned drawing



Panel cutout

Contact insert - HC-B 16-ESTQ-2,5-32 - 1605653

Schematic diagram



Connector pin assignment, connection side

© Phoenix Contact 2013 - all rights reserved
<http://www.phoenixcontact.com>