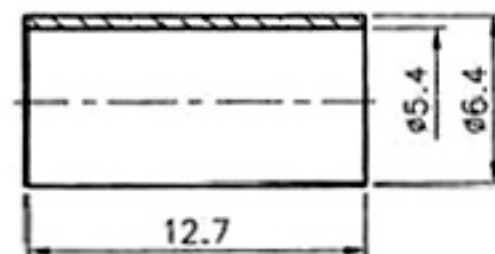
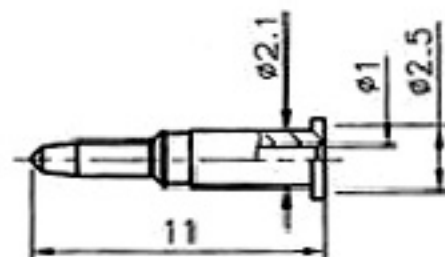
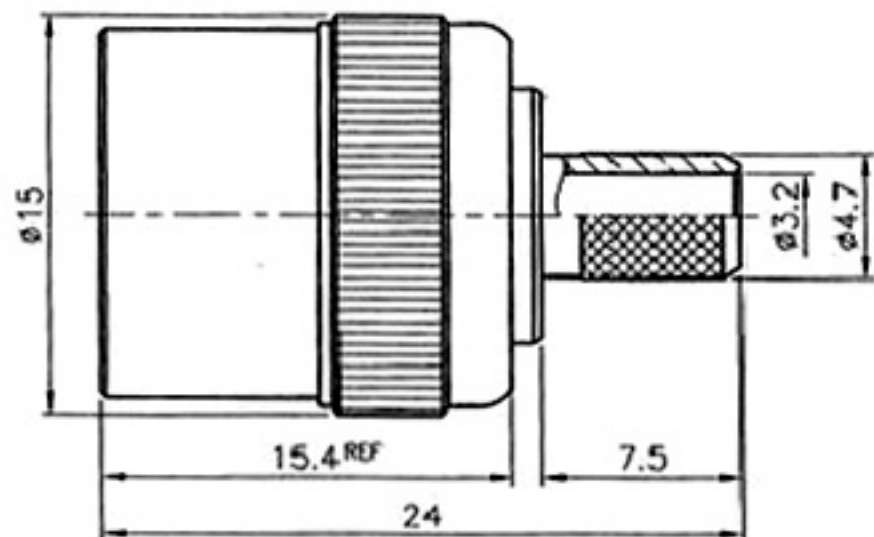


REVISIONS		
ISS	SYMBOL	DESCRIPTION\DATE
A1		由R7001-ZNDGA05 型號轉來 \06/15/07'
A2		修改 BOOT 尺寸,外型 \06/26/07'

REMARK: RoHS COMPLIANT

FOR CUSTOMER



SCALE (1/1)

					DIMENSIONS ARE IN MILLIMETERS				PART NO.		Best No. 735868	
					UNLESS OTHERWISE SPECIFIED TOLERANCES (一般公差)				APPROVED	DATE	TITLE	
BOOT	PVC	BLACK			0.5~6	= ±0.2			<i>[Signature]</i>	06/26/07'	BNC CRIMP PLUG	
FERRULE	BRASS	NICKEL			>6~30	= ±0.4			<i>[Signature]</i>	06/26/07'	DRAWING NO. 7011NS500ZF030B	
CONTACT PIN	BRASS	GOLD			>30~120	= ±0.6			<i>[Signature]</i>	06/26/07'	FILE NO.	
SHELL	PC	BLACK			>120~315	= ±1			<i>[Signature]</i>	06/26/07'		
INSULATOR	DELFIN	NATURAL			>315~1000	= ±1.6			<i>[Signature]</i>	06/26/07'		
BODY	BRASS	NICKEL			ANGLES(角度) = ±5'							
NO.	DESCRIPTION	MATERIAL	FINISH	Q'TY	DRAWING NO.	SCALE	3/1	ISSUE	A2			