

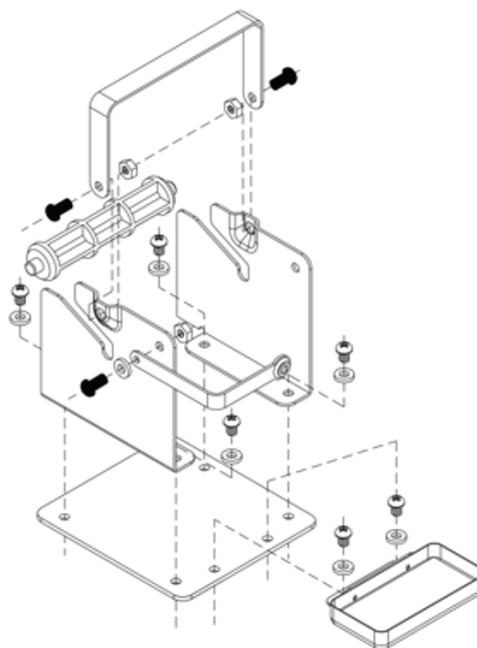
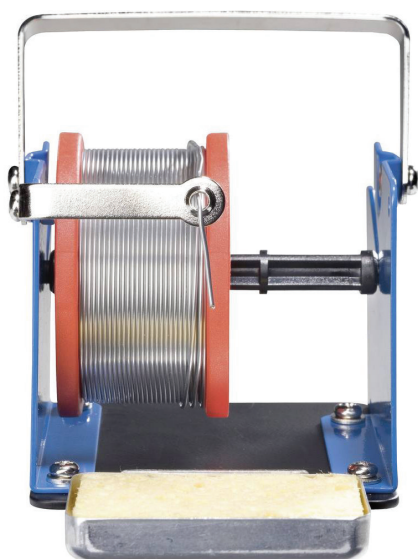


DATASHEET

Solder Wire Holder

Item No. 588330

Overview



Delivery contents

- Spindle 1+1
- Sponge (30 x 52 mm)
- Metal parts
- Screws

Technical data

Maximum load	1 kg
Suitable for solder wire with diameter.....	Ø 0.5 - 3 mm
Material.....	Plastic (ABS), Aluminium, Steel
Colour	Black/Blue/Metal
Dimensions (W x H x D)	77 x 69 x 85 mm
Net weight.....	247 g