

# Contact insert - HC-K 4/8-ESTS - 1679333

Please be informed that the data shown in this PDF Document is generated from our Online Catalog. Please find the complete data in the user's documentation. Our General Terms of Use for Downloads are valid (<http://download.phoenixcontact.com>)



HEAVYCON male insert, K4/8 series, for 4 power and 8 control contacts, screw connection without wire protection

## Key commercial data

package_quantity	1
GTIN	4017918163570

## Technical data

### General

Note	For housing HC-B24
Connection method	Screw connection (power contacts)
Connection method	Screw connection (control contacts)
Tightening torque	2 Nm (3 Nm (4 mm <sup>2</sup> ... 16 mm <sup>2</sup> ))
Tightening torque	3 Nm (4 - 16 mm <sup>2</sup> )
Tightening torque	0.5 Nm (control contacts)
Pollution degree	3
Surge voltage category	III
Number of positions	4+8+PE
No. of power contacts	4
No. of control contacts	8
Insertion/withdrawal cycles	≥ 500
Design	B24
Conductor cross section	1.5 mm <sup>2</sup> ... 16 mm <sup>2</sup> (power contacts)
Conductor cross section	0.5 mm <sup>2</sup> ... 2.5 mm <sup>2</sup> (control contacts)
Connection cross section AWG	16 ... 6 (power contacts)
Connection cross section AWG	20 ... 14 (control contacts)
Stripping length of the individual wire	14 mm (Power contact)
Stripping length of the individual wire	7 mm (control contact)
Assembly instructions	Plug-in connections may only be operated only when there is no load/voltage.
Connection	Use wire end protection (screw connections do not have wire protection)

### Ambient conditions

Ambient temperature (operation)	-40 °C ... 125 °C
---------------------------------	-------------------

# Contact insert - HC-K 4/8-ESTS - 1679333

## Technical data

### Material data

<b>Inflammability class according to UL 94</b>	HB
<b>Contact material</b>	Cu alloy
<b>Material of contact surface, power contact</b>	Ag
<b>Material of contact surface, control contact</b>	Ag
<b>Contact carrier material</b>	PA

### Electrical characteristics

<b>Rated voltage (III/3)</b>	400 V (power contacts)
<b>Rated voltage (III/3)</b>	400 V (control contacts)
<b>Rated surge voltage</b>	6 kV (power contacts)
<b>Rated surge voltage</b>	6 kV (control contacts)
<b>Rated current</b>	80 A (power contacts)
<b>Rated current</b>	16 A (control contacts)

## classifications

### eCl@ss

<b>eCl@ss 4.0</b>	27140816
<b>eCl@ss 4.1</b>	27140816
<b>eCl@ss 5.0</b>	27143424
<b>eCl@ss 5.1</b>	27143424
<b>eCl@ss 6.0</b>	27143424
<b>eCl@ss 7.0</b>	27440209
<b>eCl@ss 8.0</b>	27440209

### ETIM

<b>ETIM 2.0</b>	EC000438
<b>ETIM 3.0</b>	EC000438
<b>ETIM 4.0</b>	EC000438
<b>ETIM 5.0</b>	EC000438

### UNSPSC

<b>UNSPSC 6.01</b>	30211923
<b>UNSPSC 7.0901</b>	39121522
<b>UNSPSC 11</b>	39121522
<b>UNSPSC 12.01</b>	39121522
<b>UNSPSC 13.2</b>	39121522

## approvals

---

UL Recognized / GOST / CSA /

---

### Approval details

# Contact insert - HC-K 4/8-ESTS - 1679333

approvals

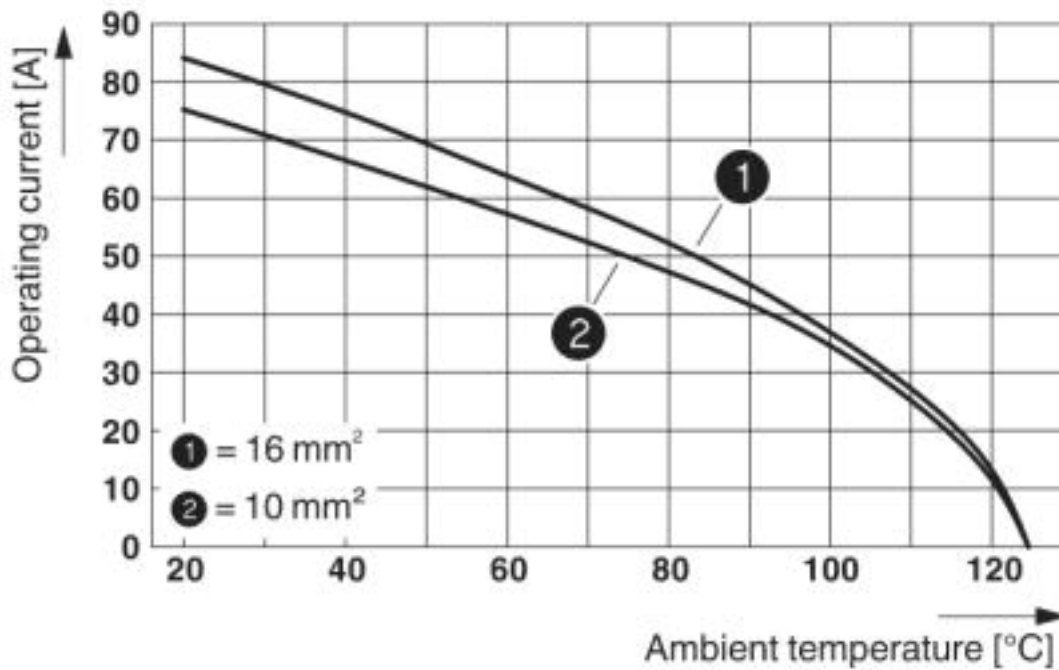
<b>UL Recognized</b>	
Nominal voltage UN	600 V
Nominal current IN	
mm <sup>2</sup> /AWG/kcmil	

<b>GOST</b>	
-------------	--

<b>CSA</b>	
Nominal voltage UN	600 V
Nominal current IN	80 A
mm <sup>2</sup> /AWG/kcmil	16-4

## Drawings

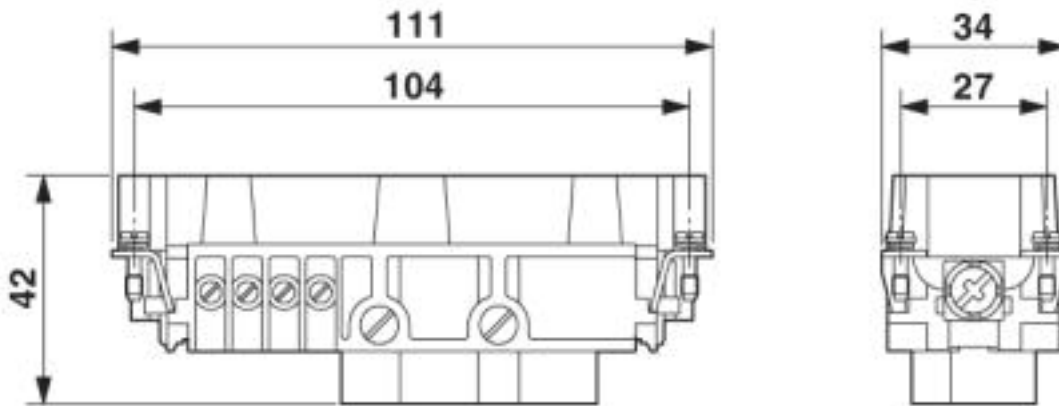
Diagram



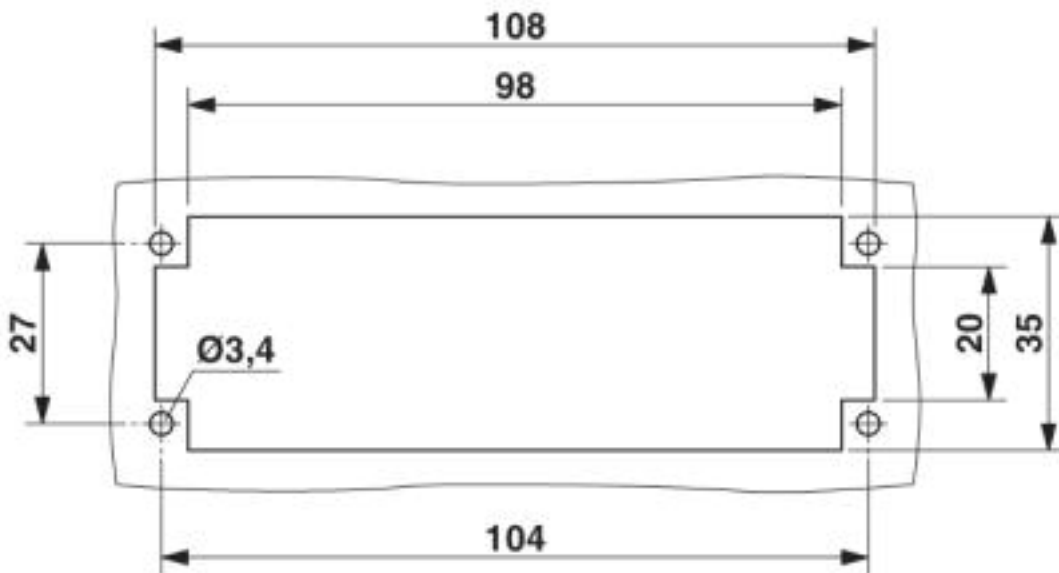
Derating diagram

# Contact insert - HC-K 4/8-ESTS - 1679333

Dimensioned drawing



Dimensioned drawing



Panel cutout

# Contact insert - HC-K 4/8-ESTS - 1679333

Schematic diagram

