

Connector - SACC-MINFS-4CON-PG13 - 1521355

Please be informed that the data shown in this PDF Document is generated from our Online Catalog. Please find the complete data in the user's documentation. Our General Terms of Use for Downloads are valid (<http://download.phoenixcontact.com>)



Sensor/actuator connector, female, straight, 4-pos., 7-8", screw connection, metal knurl, cable screw connection Pg13

Product Features

- Safe use in the field, thanks to a high degree of protection
- Flexible: connectors for on-site assembly
- Screw connection: proven connection technology for a large selection of different conductors

Key commercial data

package_quantity	1
GTIN	4017918949587

Technical data

Dimensions

External diameter	10 mm ... 12 mm
--------------------------	-----------------

Ambient conditions

Ambient temperature (operation)	-25 °C ... 85 °C (Plug / socket)
Degree of protection	IP67

General

Rated current at 40°C	9 A
Rated voltage	300 V
Number of positions	4
Contact resistance	≤ 5 mΩ
Insulation resistance	≥ 100 MΩ
Coding	A - standard
Status display	No
Surge voltage category	II
Pollution degree	3
Connection method	Screw connection
Conductor cross section	0.34 mm² ... 1.5 mm²
AWG conductor cross section	22 ... 16
Insertion/withdrawal cycles	≥ 100
Torque	0.8 Nm (7/8" connectors)
Torque	0.4 Nm (Screw terminal blocks)

Connector - SACC-MINFS-4CON-PG13 - 1521355

Technical data

General

Torque	1 Nm ... 1.4 Nm (Pressure screw)
Tightening torque	Screw plug insert with sleeve housing as far it will go
Assembly instructions	The wires can be connected both with ferrules and without ferrules

Material

Inflammability class according to UL 94	HB
Contact material	CuZn
Contact surface material	Au
Contact carrier material	PUR / PA66
Material of grip body	PBT
Material, knurls	Zinc die-cast, nickel-plated

classifications

eCl@ss

eCl@ss 4.0	27140815
eCl@ss 4.1	27140815
eCl@ss 5.0	27260701
eCl@ss 5.1	27260701
eCl@ss 6.0	27279221
eCl@ss 7.0	27440104
eCl@ss 8.0	27440104

ETIM

ETIM 2.0	EC001121
ETIM 3.0	EC002062
ETIM 4.0	EC002062
ETIM 5.0	EC002062

UNSPSC

UNSPSC 6.01	31251501
UNSPSC 7.0901	31251501
UNSPSC 11	31251501
UNSPSC 12.01	31251501
UNSPSC 13.2	31251501

approvals

UL Recognized / cUL Recognized / GOST / cULus Recognized /

Approval details

Connector - SACC-MINFS-4CON-PG13 - 1521355

approvals

UL Recognized

cUL Recognized

GOST

cULus Recognized

accessories

Torque tool

TSD 08 SAC - 1212597



TSD-M 1,2NM - 1212224



Screwdriver tools

TSD-M SAC-BIT ADAPTER - 1212600



Connector - SACC-MINFS-4CON-PG13 - 1521355

accessories

SAC BIT MIN-D25 - 1212512



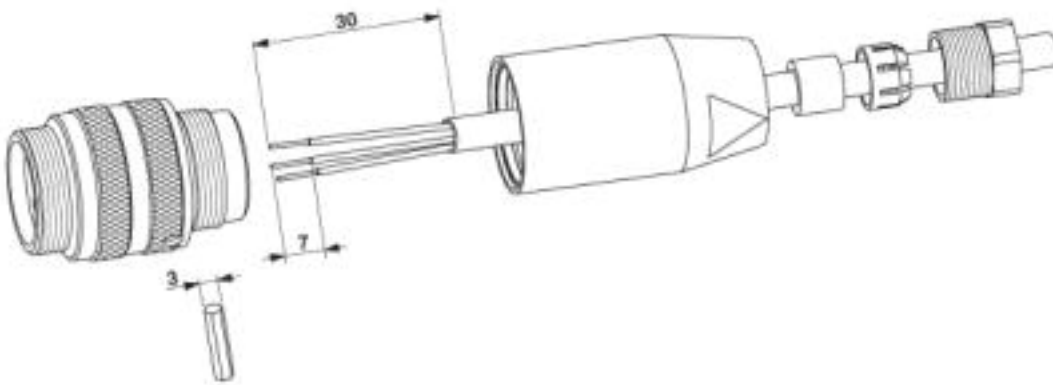
Protective cap

PROT-MINMS-PA-CHAIN - 1430925



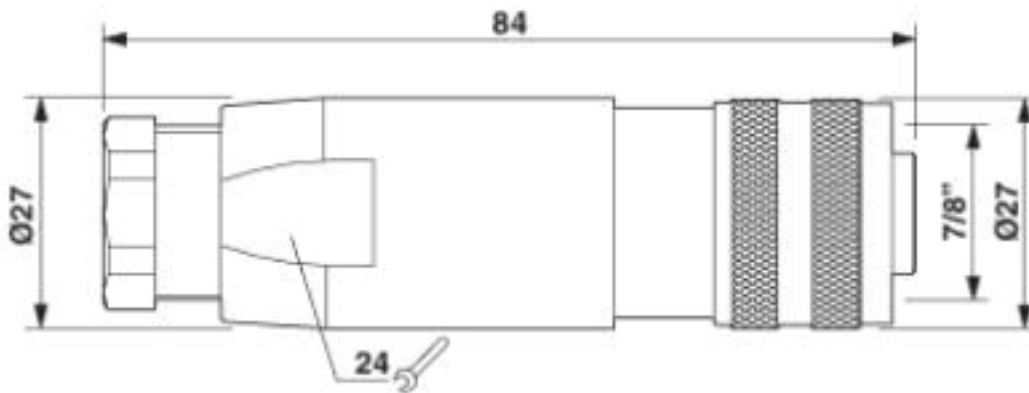
Drawings

Functional drawing



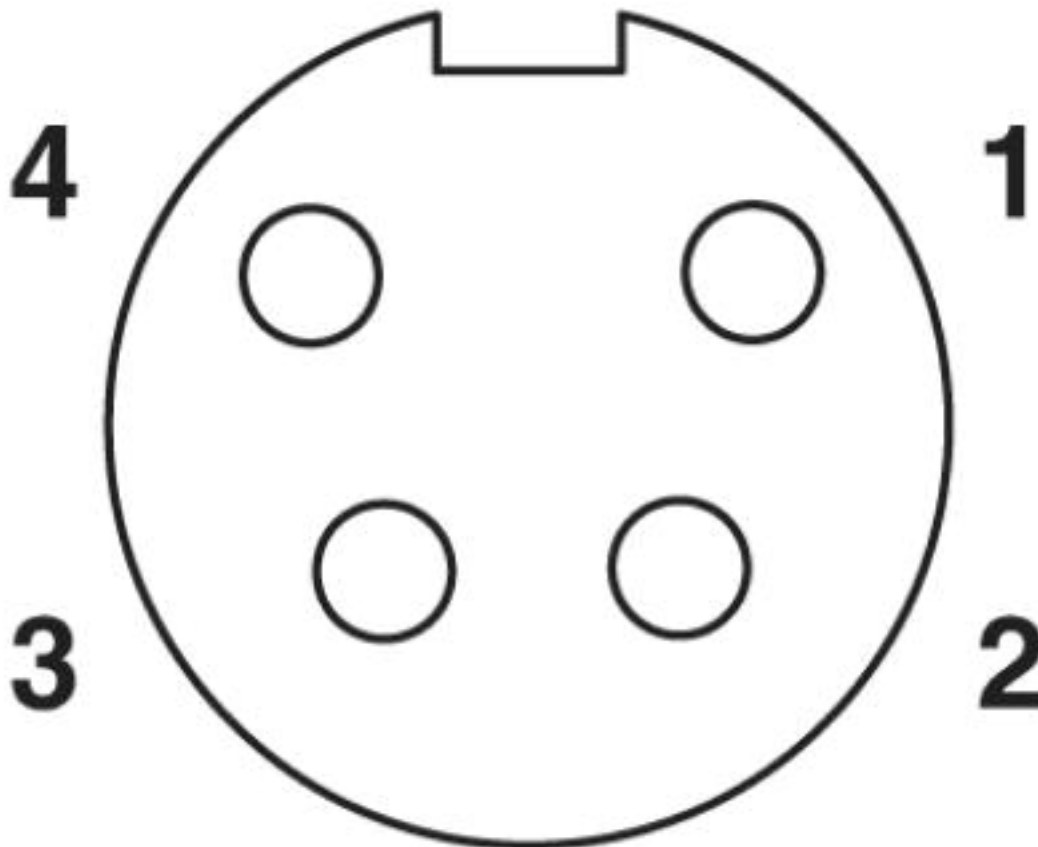
Connector - SACC-MINFS-4CON-PG13 - 1521355

Dimensioned drawing



Socket 7/8"-16UNF, straight, Pg13

Schematic diagram



Pin assignment, socket, 7/8"-16UNF, 4-pos., view of female side