

Feed-through terminal block - UK 3-MVSTB-5,08-LA 24RD - 3002102

Please be informed that the data shown in this PDF Document is generated from our Online Catalog. Please find the complete data in the user's documentation. Our General Terms of Use for Downloads are valid (<http://download.phoenixcontact.com>)



Feed-through terminal block, Nominal current: 12 A, Nominal voltage: 250 V, Cross section: 0.2 mm² - 4 mm², AWG: 24 - 12, Mounting type: NS 32, NS 35/15, NS 35/7,5, Number of positions: 1, Pitch: 5.08 mm, Width: 5.08, Color: gray

Key commercial data

package_quantity	50
GTIN	4017918090111

Technical data

General

Number of levels	1
Number of connections	2
Color	gray
Insulating material	PA
Inflammability class according to UL 94	V2

General

Maximum load current	12 A (with 4 mm ² conductor cross section)
Rated surge voltage	4 kV
Pollution degree	3
Surge voltage category	III
Insulating material group	I
Nominal current I _N	12 A
Nominal voltage U _N	250 V (is determined by the LED)
Number of positions	1

Connection data

Connection labeling	1st level connection left
Conductor cross section solid min.	0.2 mm ²
Conductor cross section solid max.	4 mm ²
Conductor cross section stranded min.	0.2 mm ²
Conductor cross section stranded max.	2.5 mm ²
Conductor cross section AWG/kcmil min.	24
Conductor cross section AWG/kcmil max	12

Feed-through terminal block - UK 3-MVSTB-5,08-LA 24RD - 3002102

Technical data

Connection data

Conductor cross section stranded, with ferrule without plastic sleeve min.	0.25 mm ²
Conductor cross section stranded, with ferrule without plastic sleeve max.	2.5 mm ²
Conductor cross section stranded, with ferrule with plastic sleeve min.	0.25 mm ²
Conductor cross section stranded, with ferrule with plastic sleeve max.	1.5 mm ²
2 conductors with same cross section, solid min.	0.2 mm ²
2 conductors with same cross section, solid max.	1.5 mm ²
2 conductors with same cross section, stranded min.	0.2 mm ²
2 conductors with same cross section, stranded max.	1 mm ²
2 conductors with same cross section, stranded, ferrules without plastic sleeve, min.	0.25 mm ²
2 conductors with same cross section, stranded, ferrules without plastic sleeve, max.	0.5 mm ²
2 conductors with same cross section, stranded, TWIN ferrules with plastic sleeve, min.	0.5 mm ²
2 conductors with same cross section, stranded, TWIN ferrules with plastic sleeve, max.	1 mm ²
Connection method	Screw connection
Stripping length	8 mm
Internal cylindrical gage	A3
Screw thread	M3
Tightening torque, min	0.5 Nm
Tightening torque max	0.6 Nm

classifications

eCl@ss

eCl@ss 4.0	272607xx
eCl@ss 4.1	27260701
eCl@ss 5.0	27260701
eCl@ss 5.1	27260701
eCl@ss 6.0	27141120
eCl@ss 7.0	27141120
eCl@ss 8.0	27141120

ETIM

ETIM 2.0	EC000897
ETIM 3.0	EC000897
ETIM 4.0	EC000897
ETIM 5.0	EC000897

Feed-through terminal block - UK 3-MVSTB-5,08-LA 24RD - 3002102

classifications

UNSPSC

UNSPSC 6.01	30211811
UNSPSC 7.0901	39121410
UNSPSC 11	39121410
UNSPSC 12.01	39121410
UNSPSC 13.2	39121410

approvals

UL Recognized / VDE Gutachten mit Fertigungsüberwachung / cUL Recognized / GOST / IECCE CB Scheme / GOST / cULus Recognized /

Approval details

UL Recognized

Usegroups	B	C
Nominal voltage UN	250 V	300 V
Nominal current IN	20 A	20 A
mm ² /AWG/kcmil	30-12	30-12

VDE Gutachten mit Fertigungsüberwachung

Nominal voltage UN	250 V
Nominal current IN	12 A
mm ² /AWG/kcmil	0.2-4

cUL Recognized

Usegroups	B	C
Nominal voltage UN	250 V	300 V
Nominal current IN	20 A	20 A
mm ² /AWG/kcmil	30-12	30-12

GOST

Feed-through terminal block - UK 3-MVSTB-5,08-LA 24RD - 3002102

approvals

IECEE CB Scheme	
Nominal voltage UN	250 V
Nominal current IN	12 A
mm ² /AWG/kcmil	0.2-4



accessories

Partition plate

DP-UK 3-MVSTB - 3002445



TS-KK 3 - 2770215



End cover

D-UK 3-MVSTB - 3002089



Feed-through terminal block - UK 3-MVSTB-5,08-LA 24RD - 3002102

accessories

Terminal marking

SBS 5:UNBEDRUCKT - 1007219



ZB 5,08:UNBEDRUCKT - 0809793



Screwdriver tools

SZS 0,6X3,5 - 1205053



Bridge

FBRI 10-5 N - 2770642



Feed-through terminal block - UK 3-MVSTB-5,08-LA 24RD - 3002102

accessories

FBRI 12-5 N - 3000434



FBRI 16-5 N - 3000476



FBRI 20-5 N - 3000515



FBRI 40-5 N - 3006823



EBL 2- 5 - 2303145



Feed-through terminal block - UK 3-MVSTB-5,08-LA 24RD - 3002102

accessories

EBL 3- 5 - 2303158



Mounting rail

NS 32 PERF 2000MM - 1201002



NS 32 UNPERF 2000MM - 1201015



NS 35/ 7,5 PERF 2000MM - 0801733



NS 35/ 7,5 UNPERF 2000MM - 0801681



Feed-through terminal block - UK 3-MVSTB-5,08-LA 24RD - 3002102

accessories

NS 35/ 7,5 WH PERF 2000MM - 1204119



NS 35/ 7,5 WH UNPERF 2000MM - 1204122



NS 35/ 7,5 AL UNPERF 2000MM - 0801704



NS 35/ 7,5 ZN PERF 2000MM - 1206421



NS 35/ 7,5 ZN UNPERF 2000MM - 1206434



Feed-through terminal block - UK 3-MVSTB-5,08-LA 24RD - 3002102

accessories

NS 35/ 7,5 CU UNPERF 2000MM - 0801762



NS 35/ 7,5 CAP - 1206560



NS 35/15 PERF 2000MM - 1201730



NS 35/15 UNPERF 2000MM - 1201714



NS 35/15 WH PERF 2000MM - 0806602



Feed-through terminal block - UK 3-MVSTB-5,08-LA 24RD - 3002102

accessories

NS 35/15 WH UNPERF 2000MM - 1204135



NS 35/15 AL UNPERF 2000MM - 1201756



NS 35/15 ZN PERF 2000MM - 1206599



NS 35/15 ZN UNPERF 2000MM - 1206586



NS 35/15 CU UNPERF 2000MM - 1201895



Feed-through terminal block - UK 3-MVSTB-5,08-LA 24RD - 3002102

accessories

NS 35/15 CAP - 1206573



NS 35/15-2,3 UNPERF 2000MM - 1201798



Labeled terminal marker

ZB 5,08 CUS - 0824963



End block

CLIPFIX 35 - 3022218



CLIPFIX 35-5 - 3022276



Feed-through terminal block - UK 3-MVSTB-5,08-LA 24RD - 3002102

accessories

E/NS 35 N - 0800886



E/UK - 1201442



E/UK 1 - 1201413



accessories

RS-KDS 2,5-LA - 1705126

FBRI 11-5 N - 3000421

Feed-through terminal block - UK 3-MVSTB-5,08-LA 24RD - 3002102

accessories

FBRI 13-5 N - 3000447



FBRI 14-5 N - 3000450



FBRI 15-5 N - 3000463

FBRI 17-5 N - 3000489

FBRI 18-5 N - 3000492

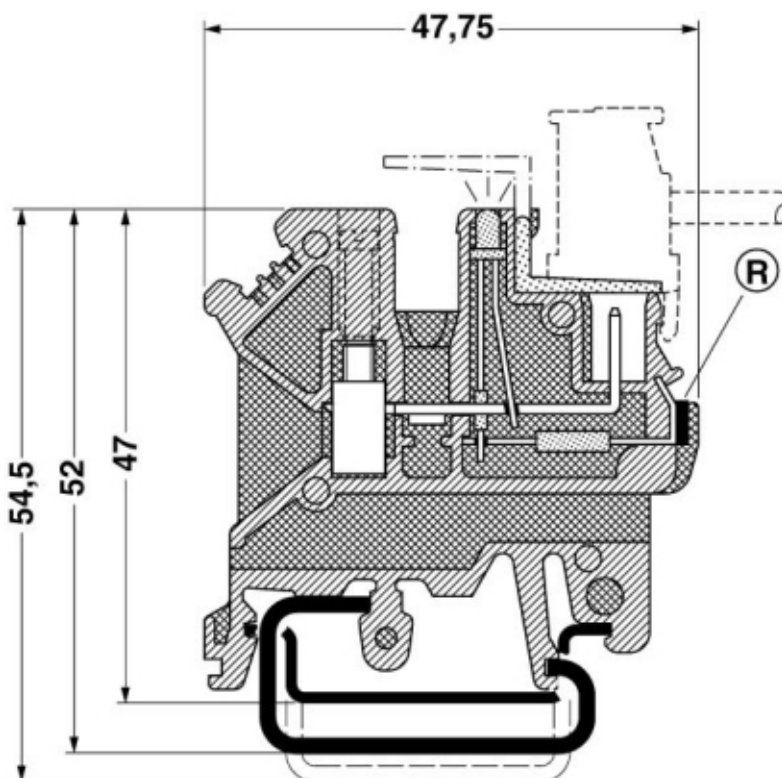
Feed-through terminal block - UK 3-MVSTB-5,08-LA 24RD - 3002102

accessories

FBRI 19-5 N - 3000502

Drawings

Dimensioned drawing



© Phoenix Contact 2013 - all rights reserved
<http://www.phoenixcontact.com>