

Connection terminal block - AKG 4 YE - 3062948

Please be informed that the data shown in this PDF Document is generated from our Online Catalog. Please find the complete data in the user's documentation. Our General Terms of Use for Downloads are valid (<http://download.phoenixcontact.com>)



Connection terminal block, Connection method Screw connection, Load current : 41 A, Cross section: 0.5 mm² - 6 mm², Width: 7 mm, Color: yellow

The illustration shows a version of the product

Key commercial data

package_quantity	50
GTIN	4046356558341

Technical data

General

Color	yellow
Insulating material	PA
Inflammability class according to UL 94	V2

General

Maximum load current	41 A (with 6 mm ² conductor cross section)
Nominal current I _N	41 A
Nominal voltage U _N	300 V

Dimensions

Length	23.7 mm
Width	7 mm

Connection data

Conductor cross section solid min.	0.5 mm ²
Conductor cross section solid max.	6 mm ²
Conductor cross section stranded min.	0.5 mm ²
Conductor cross section stranded max.	4 mm ²
Conductor cross section AWG/kcmil min.	20
Conductor cross section AWG/kcmil max	10
Conductor cross section stranded, with ferrule without plastic sleeve min.	0.5 mm ²
Conductor cross section stranded, with ferrule without plastic sleeve max.	6 mm ²
Conductor cross section stranded, with ferrule with plastic sleeve min.	0.5 mm ²

Connection terminal block - AKG 4 YE - 3062948

Technical data

Connection data

Conductor cross section stranded, with ferrule with plastic sleeve max.	6 mm ²
2 conductors with same cross section, solid min.	0.5 mm ²
2 conductors with same cross section, solid max.	2.5 mm ²
2 conductors with same cross section, stranded min.	0.5 mm ²
2 conductors with same cross section, stranded max.	2.5 mm ²
2 conductors with same cross section, stranded, ferrules without plastic sleeve, min.	0.5 mm ²
2 conductors with same cross section, stranded, ferrules without plastic sleeve, max.	2.5 mm ²
2 conductors with same cross section, stranded, TWIN ferrules with plastic sleeve, min.	0.5 mm ²
2 conductors with same cross section, stranded, TWIN ferrules with plastic sleeve, max.	2.5 mm ²
Connection method	Screw connection
Stripping length	16 mm
Screw thread	M4
Tightening torque, min	1.5 Nm
Tightening torque max	1.8 Nm

classifications

eCl@ss

eCl@ss 4.0	27141111
eCl@ss 4.1	27141111
eCl@ss 5.0	27141145
eCl@ss 5.1	27141145
eCl@ss 6.0	27149214
eCl@ss 7.0	27149214
eCl@ss 8.0	27149214

ETIM

ETIM 3.0	EC000897
ETIM 4.0	EC000897
ETIM 5.0	EC000897

UNSPSC

UNSPSC 6.01	30211811
UNSPSC 7.0901	39121410
UNSPSC 11	39121410
UNSPSC 12.01	39121410
UNSPSC 13.2	39121410

Connection terminal block - AKG 4 YE - 3062948

approvals

UL Recognized / cUL Recognized / GOST / GOST / cULus Recognized /

Approval details

UL Recognized		
Usegroups	B	C
Nominal voltage UN	250 V	300 V
Nominal current IN	20 A	20 A
mm ² /AWG/kcmil	22-12	22-12

cUL Recognized		
Usegroups	B	C
Nominal voltage UN	250 V	300 V
Nominal current IN	20 A	20 A
mm ² /AWG/kcmil	22-12	22-12

GOST

--

cULus Recognized

accessories

Screwdriver tools

SZS 1,0X4,0 VDE - 1205066



Connection terminal block - AKG 4 YE - 3062948

accessories

SZS 1,0X6,5 VDE - 1205079



Neutral conductor rail

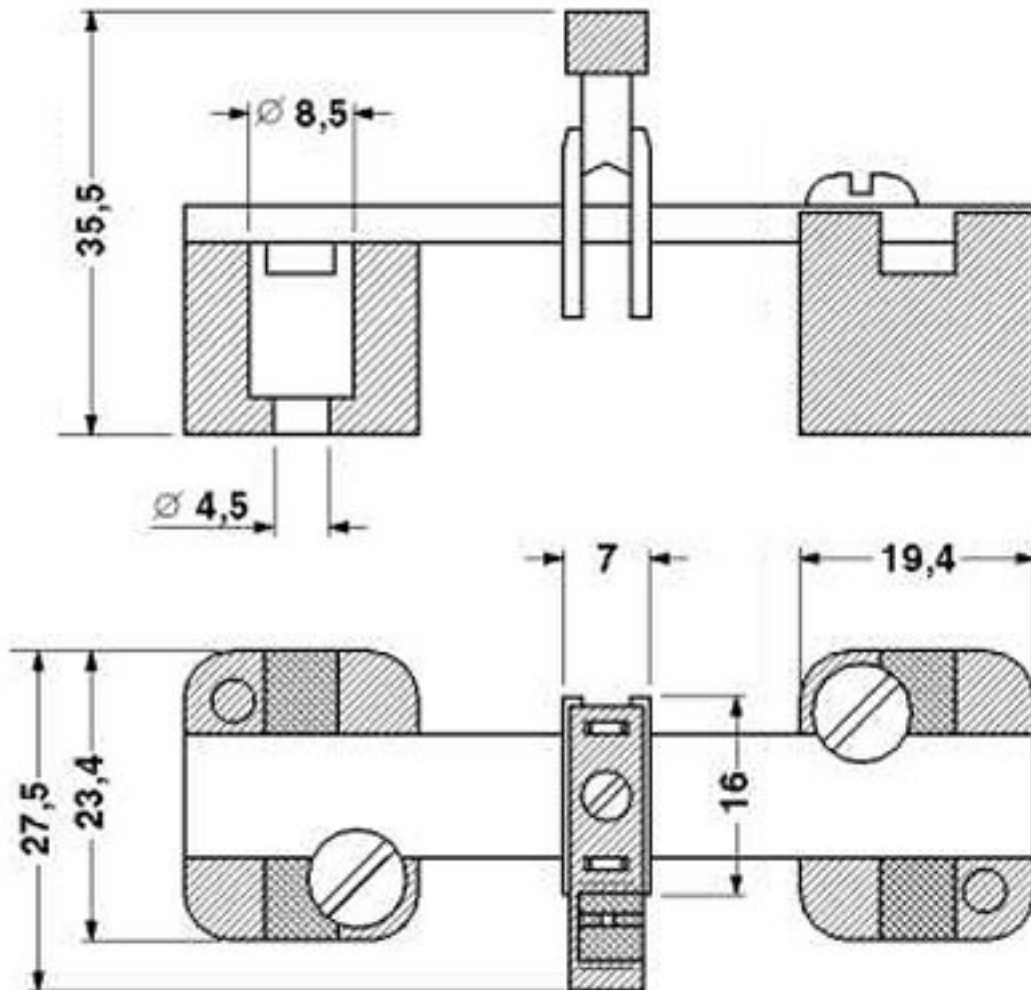
NLS-CU 3/10 SN 1000MM - 0402174



Drawings

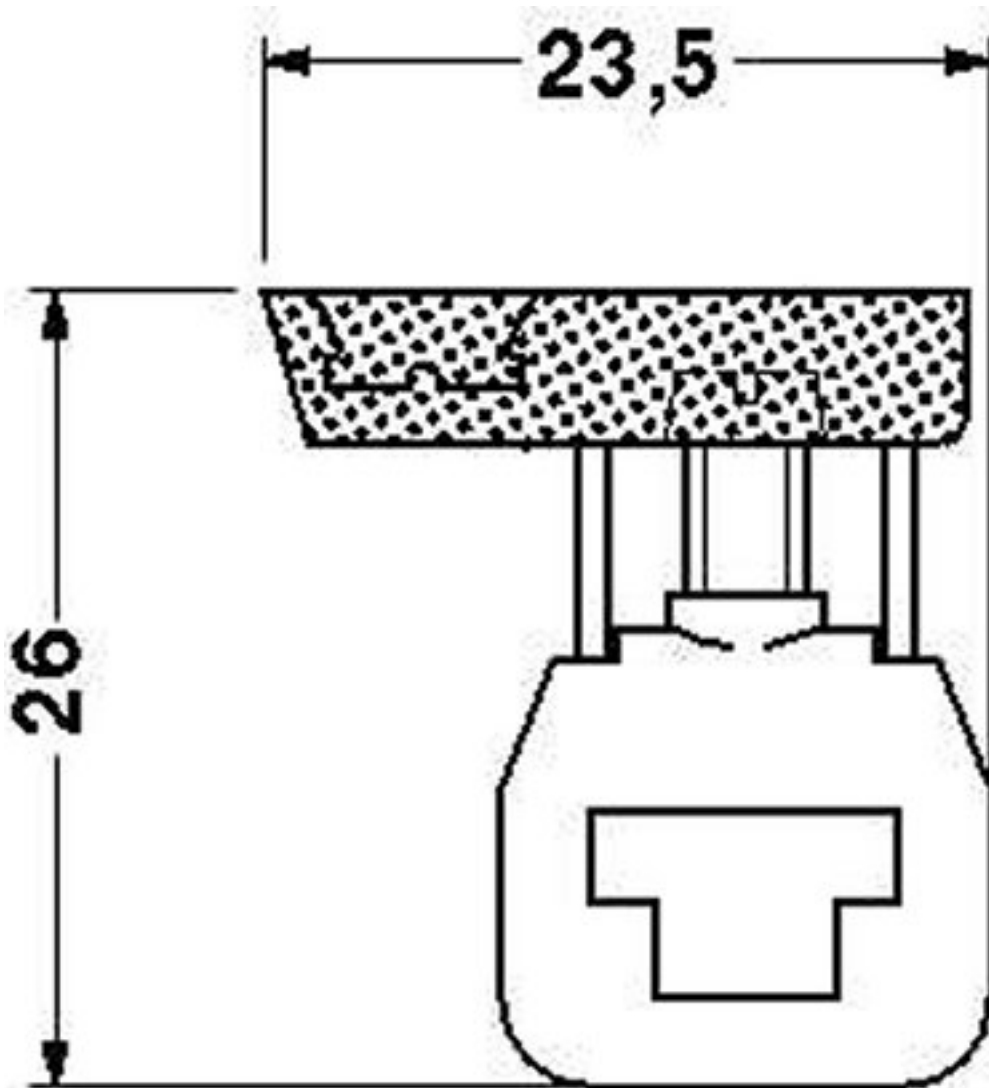
Connection terminal block - AKG 4 YE - 3062948

Dimensioned drawing



Connection terminal block - AKG 4 YE - 3062948

Dimensioned drawing



© Phoenix Contact 2013 - all rights reserved
<http://www.phoenixcontact.com>