

# Y distributor - SAC-3P-M12Y/2XM 8FS - 1683471

Please be informed that the data shown in this PDF Document is generated from our Online Catalog. Please find the complete data in the user's documentation. Our General Terms of Use for Downloads are valid (<http://download.phoenixcontact.com>)



Y-distributor/ connector M12, with female connector M8, 3-pos. distributor

## Key commercial data

package_quantity	5
GTIN	4017918166939

## Technical data

### Dimensions

Center distance	12 mm
-----------------	-------

### Ambient conditions

Ambient temperature (operation)	-25 °C ... 90 °C
Degree of protection	IP65
Degree of protection	IP67

### General

Rated current at 40°C	4 A
Rated voltage	60 V
Number of positions	3
Contact resistance	≤ 5 mΩ
Insulation resistance	≥ 10 GΩ
Coding	A - standard
Standards/regulations	M12 connector IEC 61076-2-101
Standards/regulations	M8 connector IEC 61076-2-104
Status display	No
Surge voltage category	II
Pollution degree	3
Insertion/withdrawal cycles	≥ 100
Torque	0.4 Nm (M12 connector)
Torque	0.2 Nm (M8 connectors)

### Material

Inflammability class according to UL 94	HB
Contact material	CuZn

# Y distributor - SAC-3P-M12Y/2XM 8FS - 1683471

## Technical data

### Material

Contact surface material	Ni/Au
Contact carrier material	TPU GF
Material of grip body	TPU, hardly inflammable, self-extinguishing
Material, knurls	Zinc die-cast, nickel-plated
Sealing material	NBR

### Cable

## classifications

### eCl@ss

eCl@ss 4.0	27060306
eCl@ss 4.1	27060306
eCl@ss 5.0	27061801
eCl@ss 5.1	27061801
eCl@ss 6.0	27061801
eCl@ss 7.0	27061801
eCl@ss 8.0	27061801

### ETIM

ETIM 2.0	EC000830
ETIM 3.0	EC001855
ETIM 4.0	EC001855
ETIM 5.0	EC001855

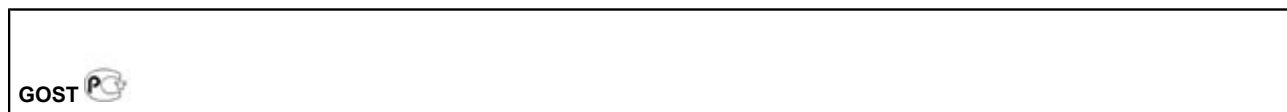
### UNSPSC

UNSPSC 6.01	31251501
UNSPSC 7.0901	31251501
UNSPSC 11	31251501
UNSPSC 12.01	31251501
UNSPSC 13.2	31251501

## approvals

GOST / GOST /

### Approval details



# Y distributor - SAC-3P-M12Y/2XM 8FS - 1683471

approvals



accessories

## Torque tool

TSD 04 SAC - 1208429



TSD 02 SAC - 1208487



## Screwdriver tools

SAC BIT M12-D15 - 1208432



SAC BIT M8-D10 - 1208461



## Protective cap

# Y distributor - SAC-3P-M12Y/2XM 8FS - 1683471

accessories

PROT-M12 FS - 1560251

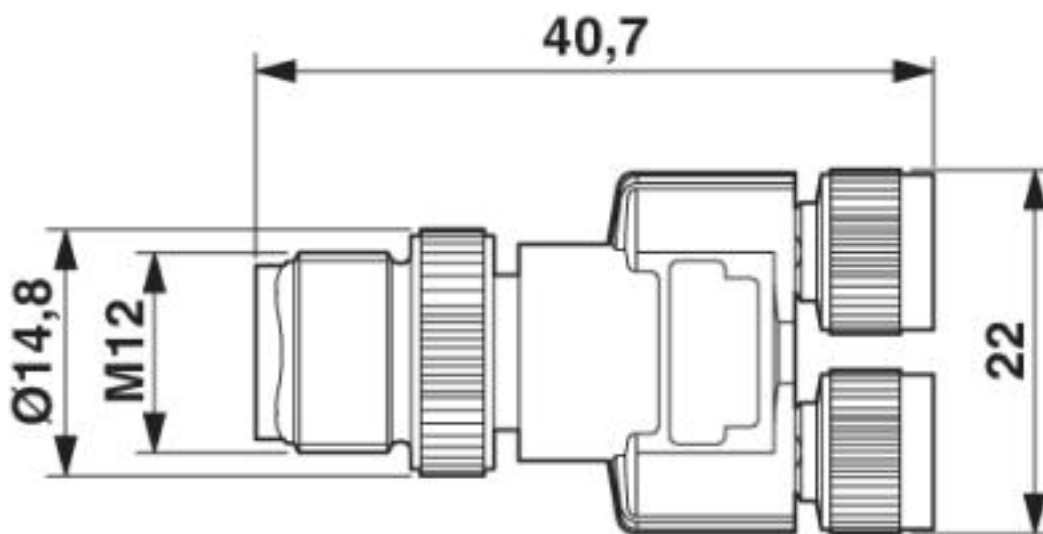


PROT-M8 - 1682540



## Drawings

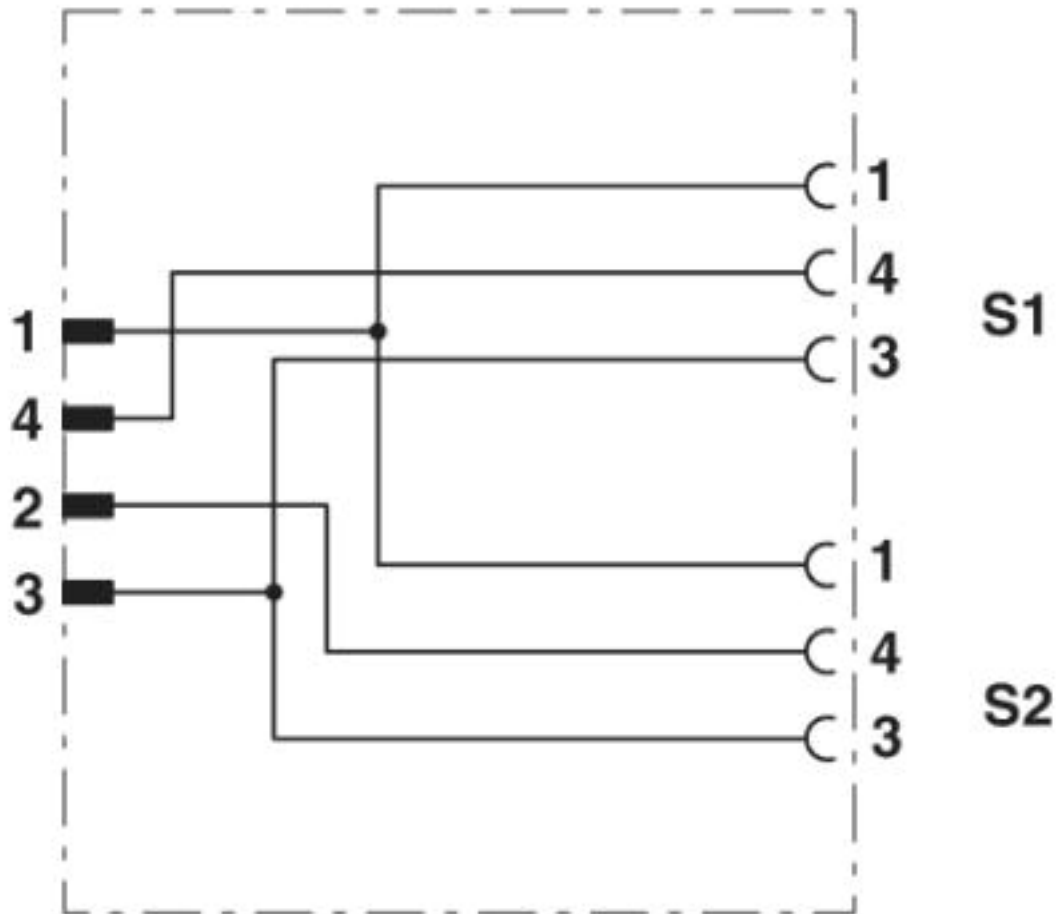
Dimensioned drawing



M12 Y distributor

# Y distributor - SAC-3P-M12Y/2XM 8FS - 1683471

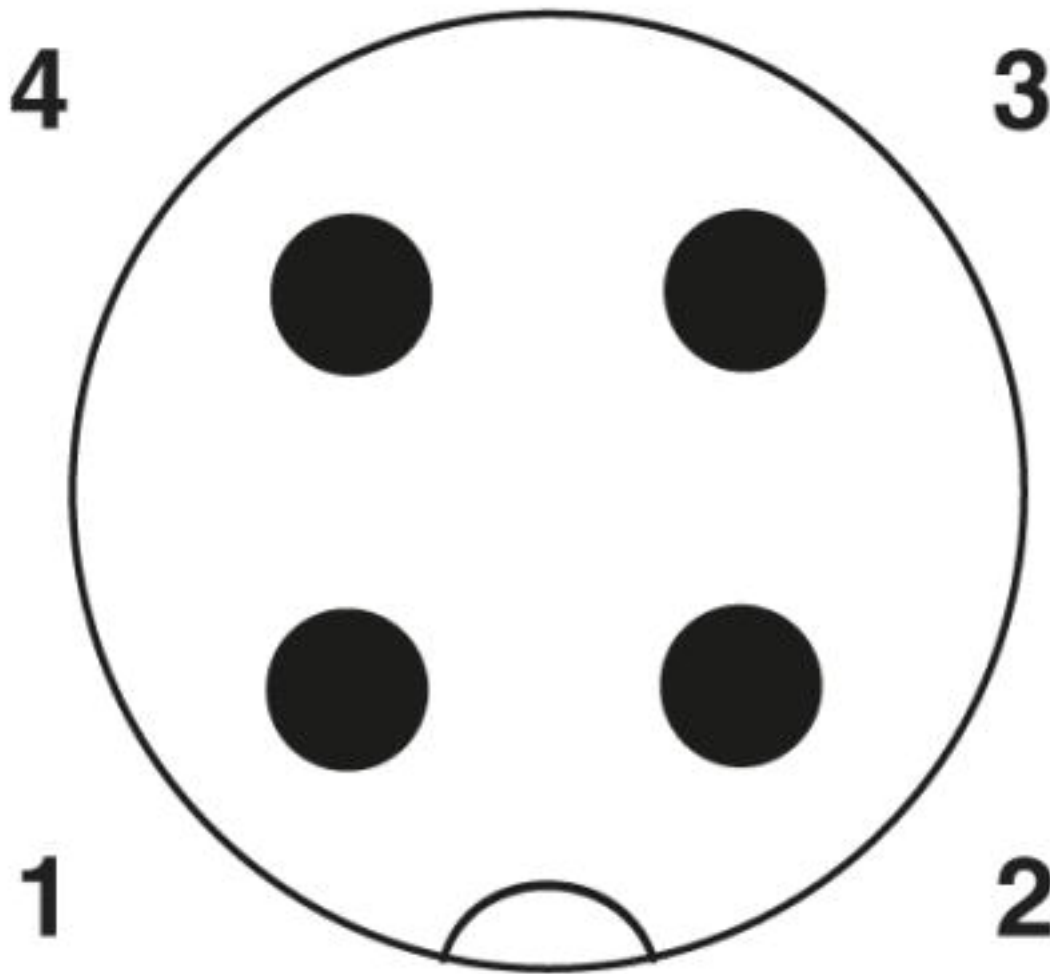
Circuit diagram



Contact assignment of the M12/M8 Y distributor

# Y distributor - SAC-3P-M12Y/2XM 8FS - 1683471

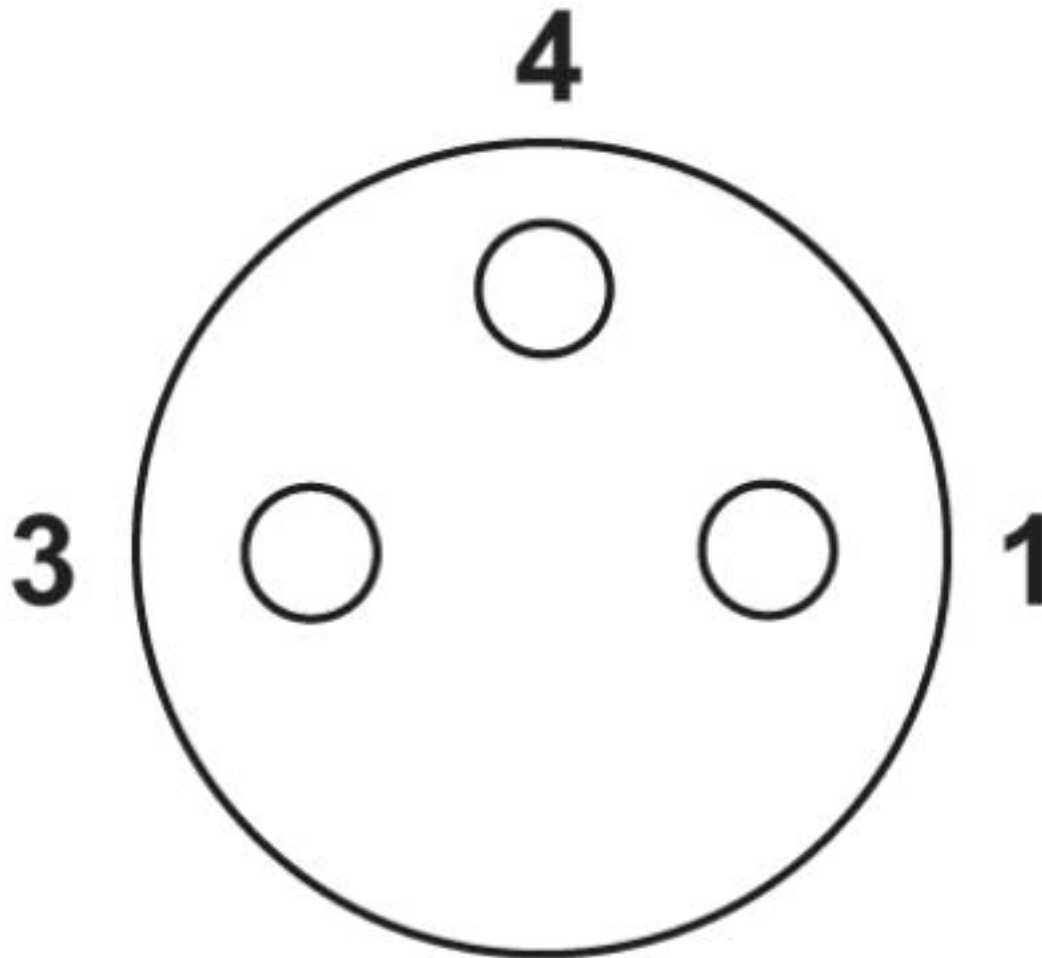
Schematic diagram



Pin assignment M12 plug, 4-pos., A-coded, view plug side

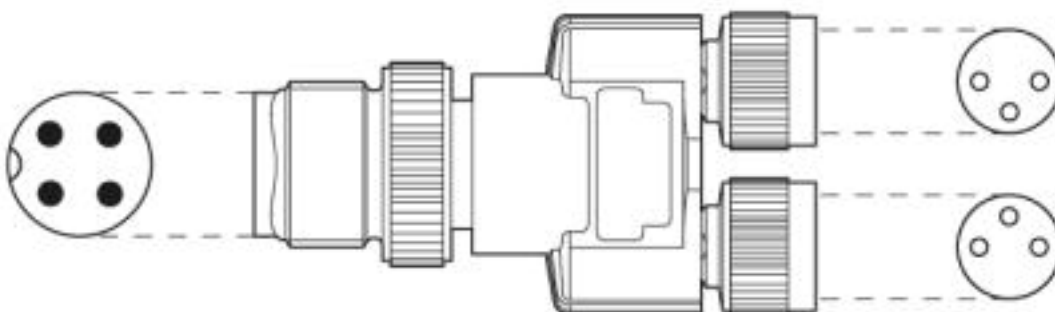
# Y distributor - SAC-3P-M12Y/2XM 8FS - 1683471

Schematic diagram



Pin assignment M8 socket, 3-pos., view female side

Schematic diagram



Layout of connector pin assignments