

Contact insert - HC-B 16-I-CT-F - 1648283

Please be informed that the data shown in this PDF Document is generated from our Online Catalog. Please find the complete data in the user's documentation. Our General Terms of Use for Downloads are valid (<http://download.phoenixcontact.com>)



HEAVYCON female insert, B16 series, 16-pos., for crimp contacts. PE connection using tension sleeve technology.

Product Features

- For fast coding with plastic profile
- PE connection using tension sleeve technology

Key commercial data

package_quantity	10
GTIN	4046356092418

Technical data

General

Note	For HEAVYCON ADVANCE and HEAVYCON housing of B16 type, crimp contacts CK 2,5-ED (crimp contacts not included in the scope of supply).
Connection method	Crimp connection
Pollution degree	3
Surge voltage category	III
Constructional and testing regulations	DIN EN 61984
Constructional and testing regulations	DIN EN 60664
Constructional and testing regulations	IEC 60352
Number of positions	16+PE
Insertion/withdrawal cycles	≥ 500
Design	B16
Connection in acc. with standard	IEC / EN
Conductor cross section	0.5 mm ² ... 4 mm ²
Connection cross section AWG	20 ... 12
Stripping length of the individual wire	7.5 mm
Assembly instructions	Coding also using the CP-HC (1686478) coding profiles. HC-B6../HC-B10..for two coding profiles. HC-B16../HC-B24..for four coding profiles.
Connection	For housing design B16. Connectors may only be inserted when there is no load/the power is switched off. Use a screwdriver to remove the crimp contacts. The opening for the screwdriver is next to the opening where the conductor is inserted.

Contact insert - HC-B 16-I-CT-F - 1648283

Technical data

Ambient conditions

Ambient temperature (operation)	-40 °C ... 125 °C (including heating up of contacts)
Degree of protection	IP20

Material data

Inflammability class according to UL 94	V0
Contact material	Copper alloy
Contact surface material	Ag (alternatively Au)
Contact carrier material	PA

Electrical characteristics

Rated voltage (III/3)	500 V
Rated surge voltage	6 kV
Rated current	16 A

classifications

eCl@ss

eCl@ss 4.0	272607xx
eCl@ss 4.1	27260701
eCl@ss 5.0	27143424
eCl@ss 5.1	27143424
eCl@ss 6.0	27261204
eCl@ss 7.0	27440205
eCl@ss 8.0	27440205

ETIM

ETIM 2.0	EC000438
ETIM 3.0	EC000438
ETIM 4.0	EC000438
ETIM 5.0	EC000438

UNSPSC

UNSPSC 6.01	30211923
UNSPSC 7.0901	39121522
UNSPSC 11	39121522
UNSPSC 12.01	39121522
UNSPSC 13.2	39121522

approvals

CSA / UL Recognized / cUL Recognized / cULus Recognized /

Approval details

Contact insert - HC-B 16-I-CT-F - 1648283

approvals

CSA	
Nominal voltage UN	600 V
Nominal current IN	20 A
mm ² /AWG/kcmil	20-12

UL Recognized	
Nominal voltage UN	600 V
Nominal current IN	13 A
mm ² /AWG/kcmil	22-14

cUL Recognized	
Nominal voltage UN	600 V
Nominal current IN	13 A
mm ² /AWG/kcmil	22-14

cULus Recognized	
-------------------------	--

accessories

Mounting material

HC-B-PES - 1604997



Contact insert - HC-B 16-I-CT-F - 1648283

accessories

HC-B-3PE - 1644326



HC-B-ZG - 1685327



HC-B-ZS - 1685330



Coding element

CP-HC - 1686478



HC-CBU - 1676860



Contact insert - HC-B 16-I-CT-F - 1648283

accessories

HC-CB - 1772722



HC-CST - 1676857



CK2,5-ED-BB - 1584693



Plug assembly frame

HC-SMR-B16 - 1687972



Plug mounting plate

HC-SMP 125-B16-AMQ - 1660973



Adapter plate

Contact insert - HC-B 16-I-CT-F - 1648283

accessories

HC-B 24-ADP-B 16-GY - 1660449



Docking frame

HC-B 16-ANDOCK - 1586138



Assembly tool

CK2,5-EWZ - 1662722



Crimping tool

CRIMPFOX-1,6/2,5-ED-4,0 - 1687419



Crimp contact

CK2,5-ED-0,50BU AG - 1663640



Contact insert - HC-B 16-I-CT-F - 1648283

accessories

CK2,5-ED-0,75BU AG - 1663653



CK2,5-ED-1,00BU AG - 1663666



CK2,5-ED-1,50BU AG - 1663679



CK2,5-ED-2,50BU AG - 1663682



CK2,5-ED-3,00BU AG - 1663695



Contact insert - HC-B 16-I-CT-F - 1648283

accessories

CK2,5-ED-4,00BU AG - 1663705



CK2,5-ED-0,50BU AU - 1674859



CK2,5-ED-1,00BU AU - 1674833



CK2,5-ED-1,50BU AU - 1674820



CK2,5-ED-2,50BU AU - 1674862



CK2,5-ED-4,00BU AU - 1674846



Contact insert - HC-B 16-I-CT-F - 1648283

accessories

accessories

CK2,5-ED-0,37BU AG - 1585634

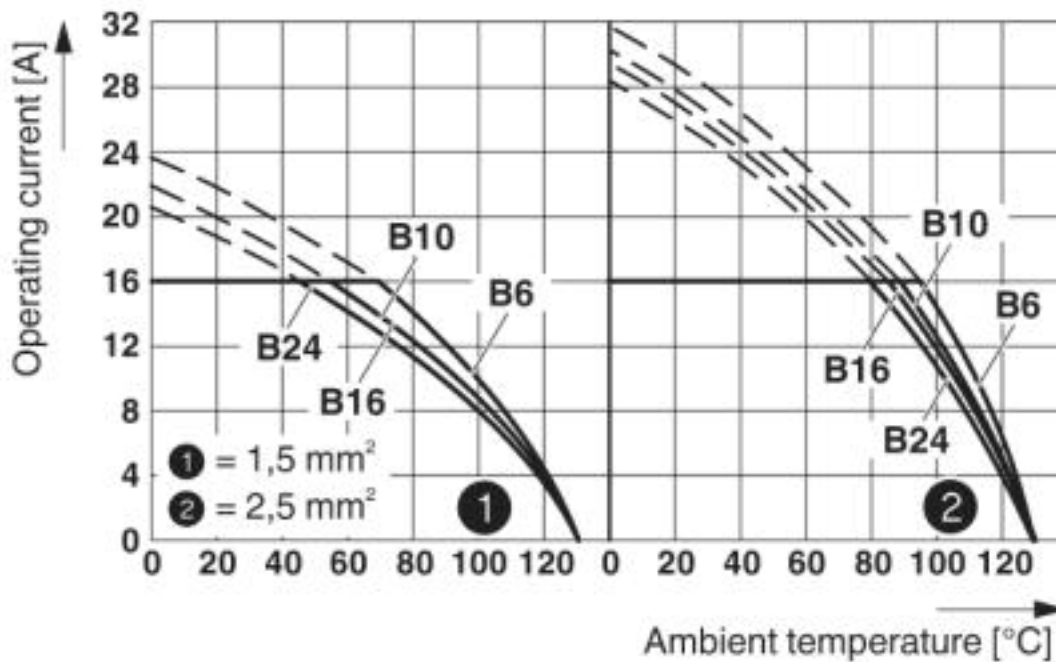


CK2,5-ED-0,37BU AU - 1585647



Drawings

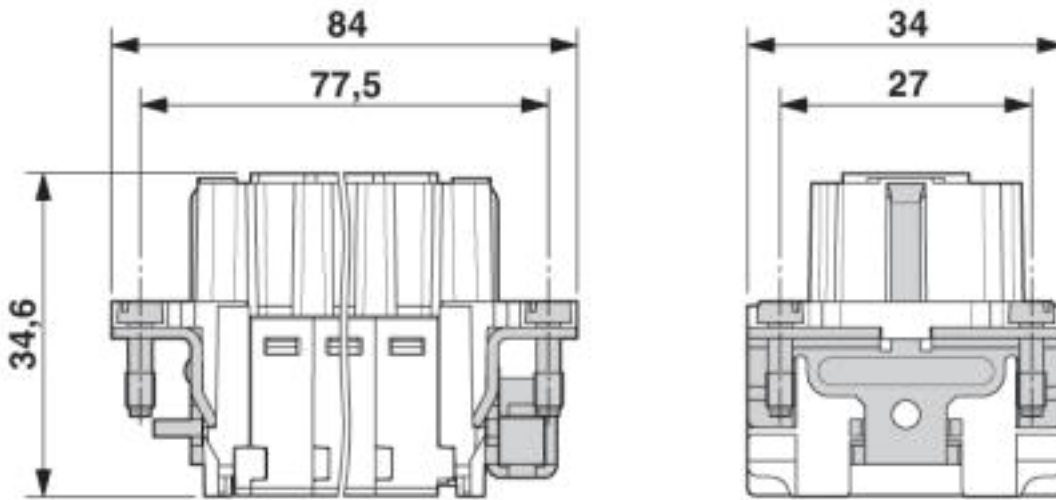
Diagram



Derating diagram

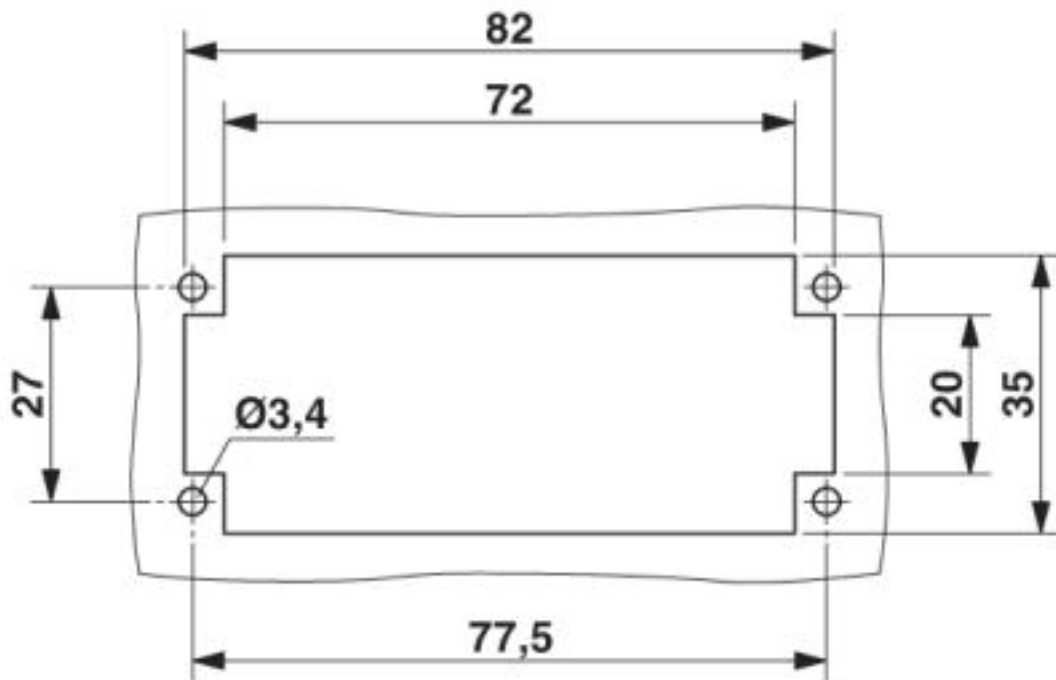
Contact insert - HC-B 16-I-CT-F - 1648283

Dimensioned drawing



Female insert

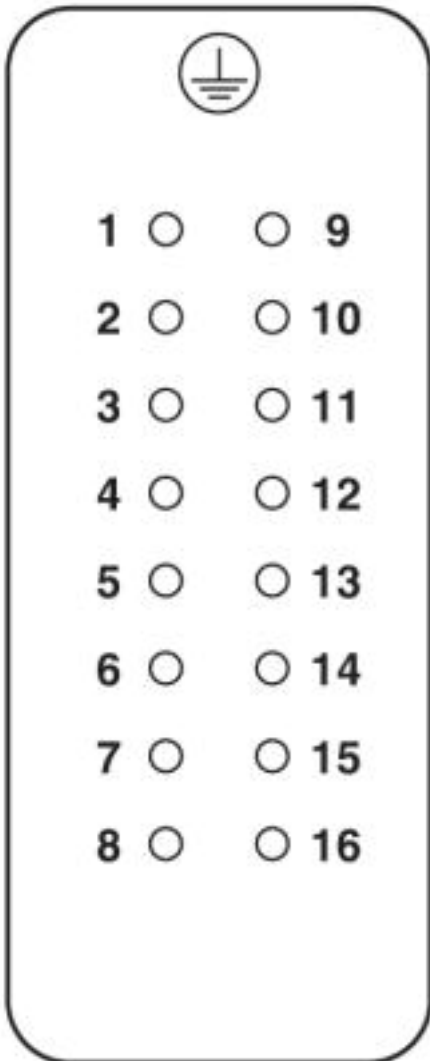
Dimensioned drawing



Panel cutout

Contact insert - HC-B 16-I-CT-F - 1648283

Schematic diagram



Connector pin assignment, connection side

© Phoenix Contact 2013 - all rights reserved
<http://www.phoenixcontact.com>