

Contact insert - HC-DD108-I-CT-M - 1584114

Please be informed that the data shown in this PDF Document is generated from our Online Catalog. Please find the complete data in the user's documentation. Our General Terms of Use for Downloads are valid (<http://download.phoenixcontact.com>)



HEAVYCON male insert, DD108 series, 108-pos., crimp connection. PE connection using tension sleeve technology.

Key commercial data

| | |
|------------------|---------------|
| package_quantity | 10 |
| GTIN | 4046356133425 |

Technical data

General

| | |
|---|--|
| Note | For HEAVYCON ADVANCE and HEAVYCON housing of B24 type, crimp contacts CK 1,6-ED (crimp contacts not included in the scope of supply). Plug-in connections may only be operated only when there is no load/voltage. |
| Connection method | Crimp connection |
| Pollution degree | 3 |
| Surge voltage category | III |
| Constructional and testing regulations | DIN VDE 0627/86 |
| Constructional and testing regulations | DIN VDE 0110/02.79 |
| Constructional and testing regulations | DIN VDE 0110-1/04.97 |
| Constructional and testing regulations | IEC 60664-1, DIN IEC 60512 |
| Constructional and testing regulations | IEC 60352 |
| Number of positions | 108+PE |
| Insertion/withdrawal cycles | ≥ 500 |
| Design | B24 |
| Connection in acc. with standard | IEC / EN |
| Conductor cross section | 0.14 mm ² ... 2.5 mm ² |
| Connection cross section AWG | 26 ... 14 |
| Stripping length of the individual wire | 8 mm (6 mm (2.5 mm ²)) |
| Stripping length of the individual wire | 6 mm (2.5 mm ²) |
| Assembly instructions | -Housing heights with h ≥ 72 mm are recommended in the case of a large number of wires.-Use of HC-CST (1676857) coding pins and HC-CBU (1676860) coding sockets has been prescribed. |
| Connection | Connectors may be plugged in only when there is no load/voltage. |

Ambient conditions

| | |
|---------------------------------|--|
| Ambient temperature (operation) | -40 °C ... 125 °C (including heating up of contacts) |
|---------------------------------|--|

Contact insert - HC-DD108-I-CT-M - 1584114

Technical data

Material data

| | |
|--|-----------------------|
| Inflammability class according to UL 94 | V0 |
| Contact material | Copper alloy |
| Contact surface material | Ag (alternatively Au) |
| Contact carrier material | PA |

Electrical characteristics

| | |
|------------------------------|-------|
| Rated voltage (III/3) | 250 V |
| Rated surge voltage | 4 kV |
| Rated current | 10 A |

classifications

eCl@ss

| | |
|-------------------|----------|
| eCl@ss 4.0 | 272607xx |
| eCl@ss 4.1 | 27260701 |
| eCl@ss 5.0 | 27143424 |
| eCl@ss 5.1 | 27143424 |
| eCl@ss 6.0 | 27143424 |
| eCl@ss 7.0 | 27440209 |
| eCl@ss 8.0 | 27440209 |

ETIM

| | |
|-----------------|----------|
| ETIM 3.0 | EC000438 |
| ETIM 4.0 | EC000437 |
| ETIM 5.0 | EC000437 |

UNSPSC

| | |
|----------------------|----------|
| UNSPSC 6.01 | 30211923 |
| UNSPSC 7.0901 | 39121522 |
| UNSPSC 11 | 39121522 |
| UNSPSC 12.01 | 39121522 |
| UNSPSC 13.2 | 39121522 |

approvals

CSA / UL Recognized / cUL Recognized / cULus Recognized /

Approval details

| |
|---|
|  |
|---|

Contact insert - HC-DD108-I-CT-M - 1584114

approvals

| | |
|----------------------------|-------|
| Nominal voltage UN | 250 V |
| Nominal current IN | 7 A |
| mm ² /AWG/kcmil | 26-14 |

UL Recognized

| | |
|----------------------------|-------|
| Nominal voltage UN | 250 V |
| Nominal current IN | 10 A |
| mm ² /AWG/kcmil | 14 |

cUL Recognized

| | |
|----------------------------|-------|
| Nominal voltage UN | 250 V |
| Nominal current IN | 7 A |
| mm ² /AWG/kcmil | 14 |

cULus Recognized

accessories

Mounting material

HC-B-PES - 1604997



HC-B-3PE - 1644326



Contact insert - HC-DD108-I-CT-M - 1584114

accessories

HC-B-ZG - 1685327



HC-B-ZS - 1685330



Coding element

CP-HC - 1686478



HC-CBU - 1676860



HC-CB - 1772722



Contact insert - HC-DD108-I-CT-M - 1584114

accessories

HC-CST - 1676857



Plug assembly frame

HC-SMR-B24 - 1687985



Plug mounting plate

HC-SMP 150-B24-AMQ - 1660944



Docking frame

HC-B 24-ANDOCK - 1586141



Assembly tool

VC-EW 1,6 - 1884869



Contact insert - HC-DD108-I-CT-M - 1584114

accessories

Crimping tool

CRIMPFOX-1,6/2,5-ED-4,0 - 1687419



Crimp contact

CK1,6-ED-0,37ST AG - 1663336



CK1,6-ED-0,50ST AG - 1663349



CK1,6-ED-0,75ST AG - 1663352



CK1,6-ED-1,00ST AG - 1663365



Contact insert - HC-DD108-I-CT-M - 1584114

accessories

CK1,6-ED-1,50ST AG - 1663378



CK1,6-ED-2,50ST AG - 1663381



CK1,6-ED-0,37ST AU - 1674901



CK1,6-ED-0,50ST AU - 1672453



CK1,6-ED-0,75ST AU - 1674914



CK1,6-ED-1,00ST AU - 1674888



Contact insert - HC-DD108-I-CT-M - 1584114

accessories

CK1,6-ED-1,50ST AU - 1674875

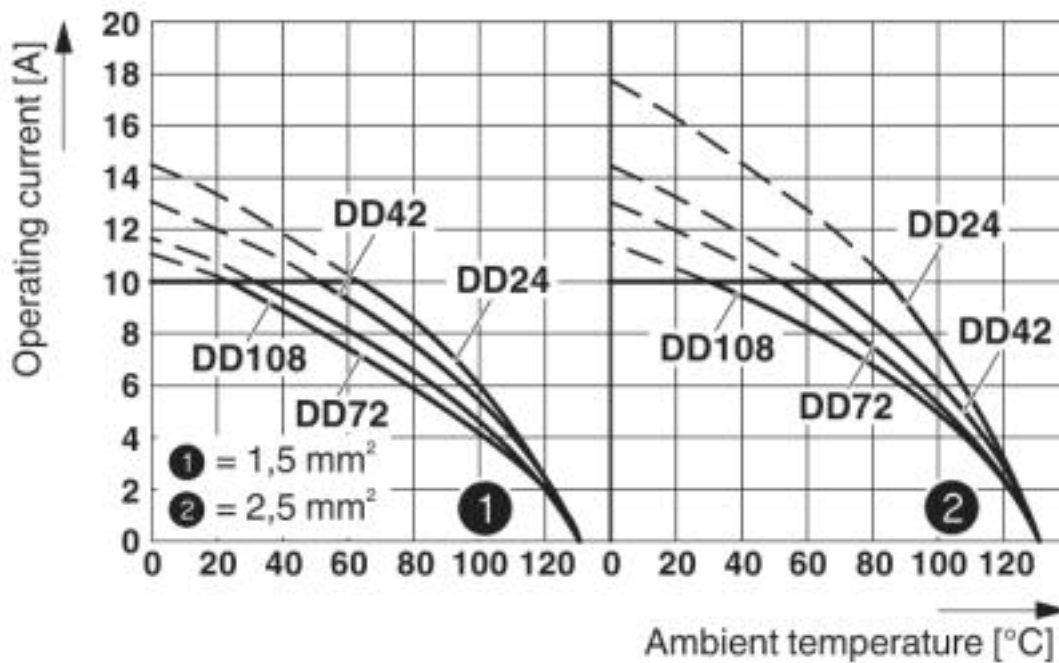


CK1,6-ED-2,50ST AU - 1674927



Drawings

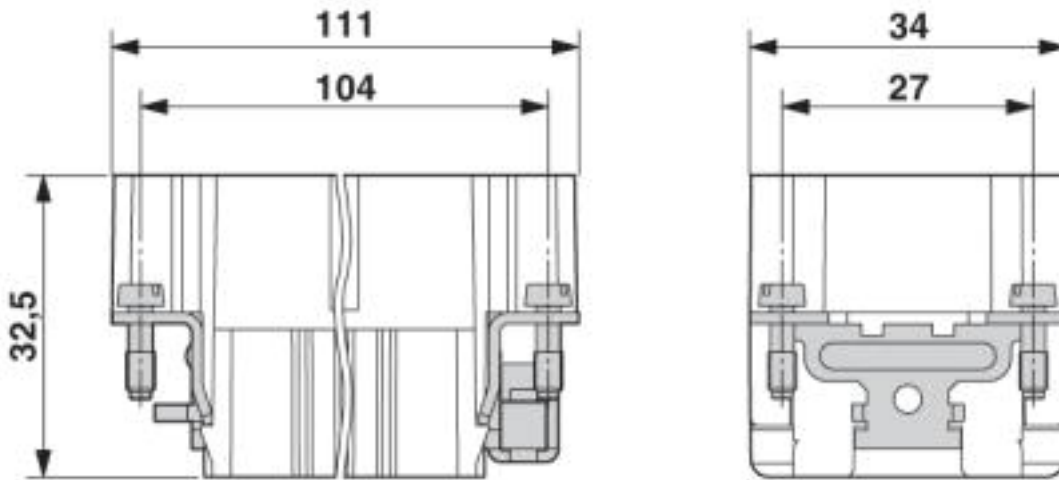
Diagram



Derating diagram

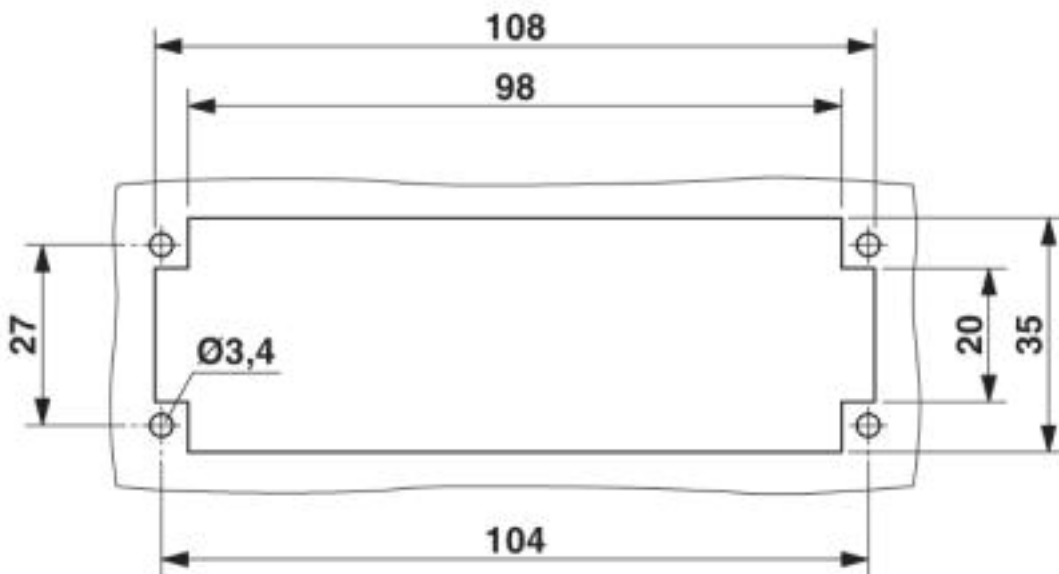
Contact insert - HC-DD108-I-CT-M - 1584114

Dimensioned drawing



Male insert

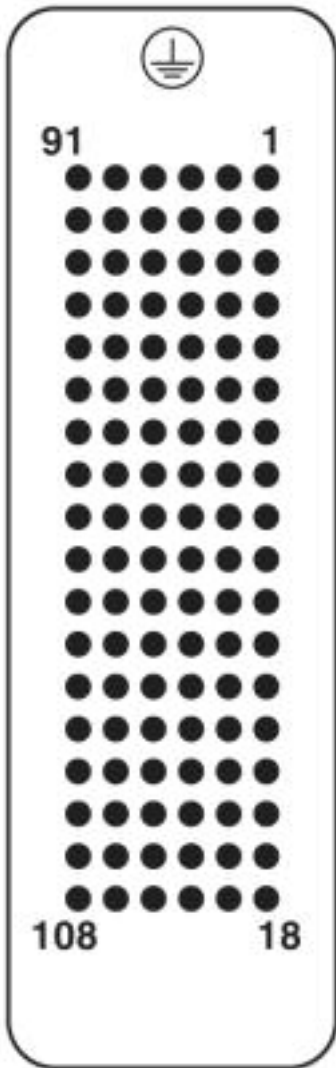
Dimensioned drawing



Panel cutout

Contact insert - HC-DD108-I-CT-M - 1584114

Schematic diagram



Connector pin assignment, connection side

© Phoenix Contact 2013 - all rights reserved
<http://www.phoenixcontact.com>