

# Terminal adapter - HC-B 24-A-UT-PER-M - 1648108

Please be informed that the data shown in this PDF Document is generated from our Online Catalog. Please find the complete data in the user's documentation. Our General Terms of Use for Downloads are valid (<http://download.phoenixcontact.com>)



HEAVYCON terminal adapter male insert, B24 series, 24-pos., left protective conductor connection for the right side of the control cabinet, screw connection.

## Key commercial data

<b>package_quantity</b>	5
<b>GTIN</b>	4017918969769

## Technical data

### Dimensions

<b>Drill hole distance, horizontal</b>	104 mm
<b>Height</b>	71.6 mm

### Ambient conditions

<b>Ambient temperature (operation)</b>	-40 °C ... 125 °C
--	-------------------

### Electrical characteristics

<b>Note</b>	For HEAVYCON ADVANCE panel mounting flange and HEAVYCON panel mounting base of type B24. Plug-in connections may only be operated only when there is no load/voltage.
<b>Number of positions</b>	24
<b>Connection in acc. with standard</b>	IEC / EN
<b>Rated voltage (III/3)</b>	500 V
<b>Rated surge voltage</b>	6 kV
<b>Rated current</b>	16 A

### Mechanical characteristics

<b>Design</b>	B24
<b>Screw thread</b>	M3
<b>Connection method</b>	Screw connection
<b>Tightening torque</b>	0.5 Nm ... 0.8 Nm
<b>Stripping length of the individual wire</b>	12 mm
<b>Conductor cross section</b>	0.5 mm <sup>2</sup> ... 2.5 mm <sup>2</sup>
<b>Connection cross section AWG</b>	20 ... 14

### General

<b>Contact material</b>	Copper alloy
-------------------------	--------------

# Terminal adapter - HC-B 24-A-UT-PER-M - 1648108

## Technical data

### General

<b>Contact surface material</b>	Ag
<b>Contact carrier material</b>	PA
<b>Pollution degree</b>	3
<b>Surge voltage category</b>	III
<b>Inflammability class according to UL 94</b>	V0
<b>Connection in acc. with standard</b>	IEC / EN
<b>Assembly instructions</b>	Coding also using the CP-HC (1686478) coding profiles. HC-B6../HC-B10..for two coding profiles. HC-B16../HC-B24..for four coding profiles.
<b>Installation instructions</b>	Connectors may only be actuated when there is no load/voltage.

## classifications

### eCl@ss

<b>eCl@ss 4.0</b>	27140816
<b>eCl@ss 4.1</b>	27140816
<b>eCl@ss 5.0</b>	27143424
<b>eCl@ss 5.1</b>	27143424
<b>eCl@ss 6.0</b>	27143424
<b>eCl@ss 7.0</b>	27440205
<b>eCl@ss 8.0</b>	27440205

### ETIM

<b>ETIM 3.0</b>	EC000438
<b>ETIM 4.0</b>	EC000438
<b>ETIM 5.0</b>	EC000438

### UNSPSC

<b>UNSPSC 6.01</b>	30211923
<b>UNSPSC 7.0901</b>	39121522
<b>UNSPSC 11</b>	39121522
<b>UNSPSC 12.01</b>	39121522
<b>UNSPSC 13.2</b>	39121522

## approvals

CSA / UL Recognized / cUL Recognized / cULus Recognized /

### Approval details

--

# Terminal adapter - HC-B 24-A-UT-PER-M - 1648108

## approvals

Nominal voltage UN	600 V
Nominal current IN	13 A
mm <sup>2</sup> /AWG/kcmil	22-14

<b>UL Recognized</b>	
Nominal voltage UN	600 V
Nominal current IN	13 A
mm <sup>2</sup> /AWG/kcmil	22-14

<b>cUL Recognized</b>	
Nominal voltage UN	600 V
Nominal current IN	13 A
mm <sup>2</sup> /AWG/kcmil	22-14

<b>cULus Recognized</b>	
-------------------------	--

## accessories

### Mounting material

HC-KA-FE - 1775240



HC-VSH - 1660083



## Terminal adapter - HC-B 24-A-UT-PER-M - 1648108

accessories

HC-B-PES - 1604997



HC-B-3PE - 1644326



**Coding element**

CP-HC - 1686478



HC-CST - 1676857



HC-CBU - 1676860



## Terminal adapter - HC-B 24-A-UT-PER-M - 1648108

### accessories

HC-CST-MOD - 1636127



HC-CBU-MOD - 1636130



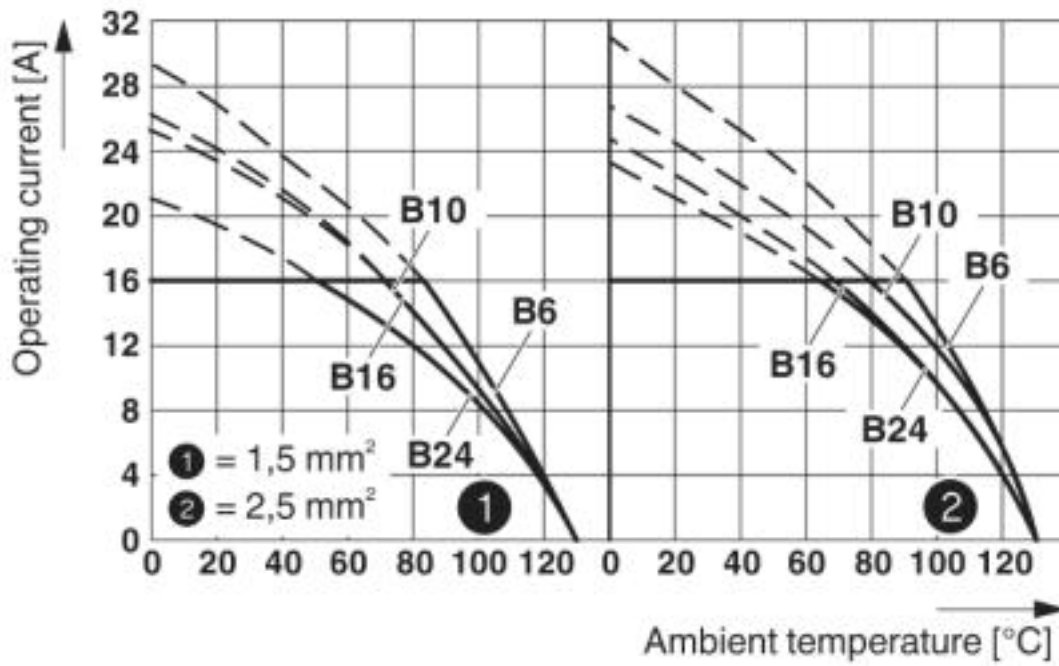
HC-CB - 1772722



### Drawings

# Terminal adapter - HC-B 24-A-UT-PER-M - 1648108

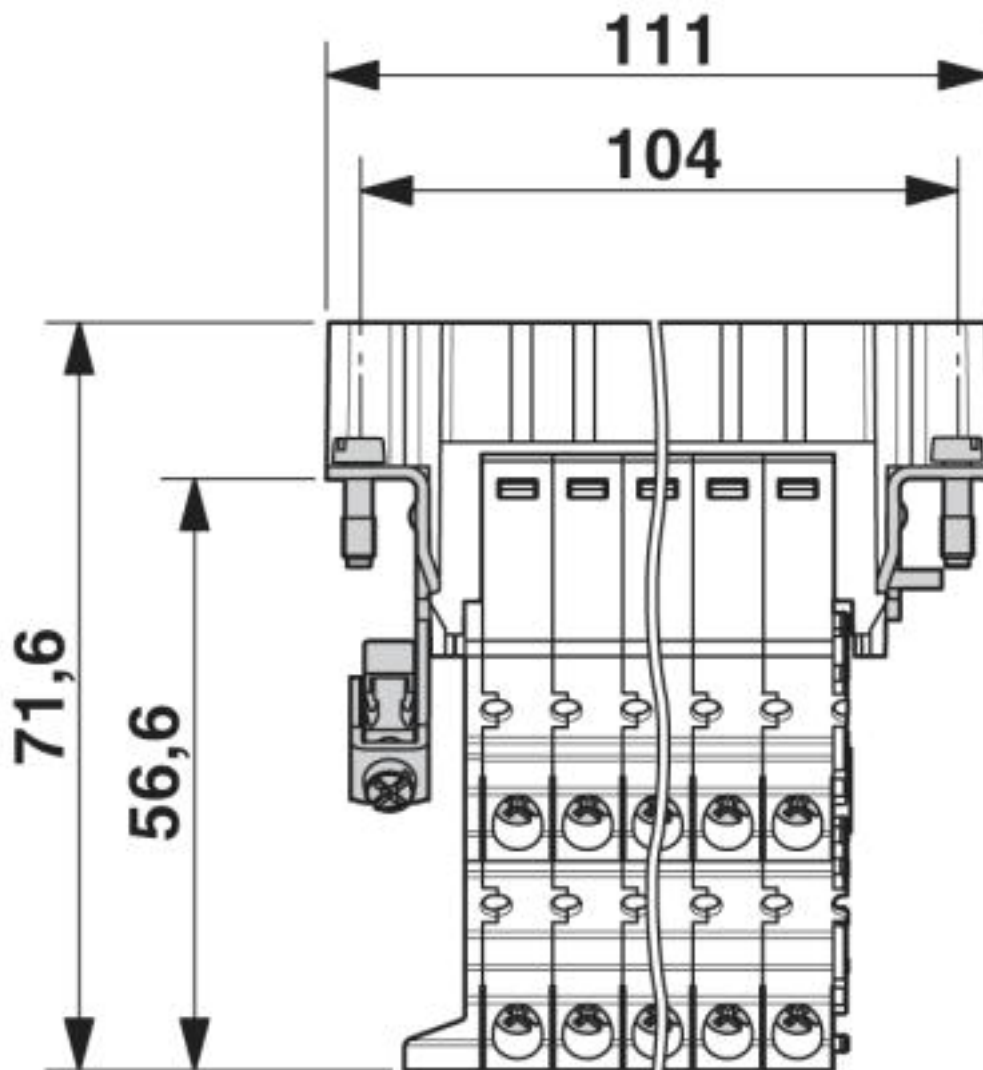
Diagram



Derating diagram

# Terminal adapter - HC-B 24-A-UT-PER-M - 1648108

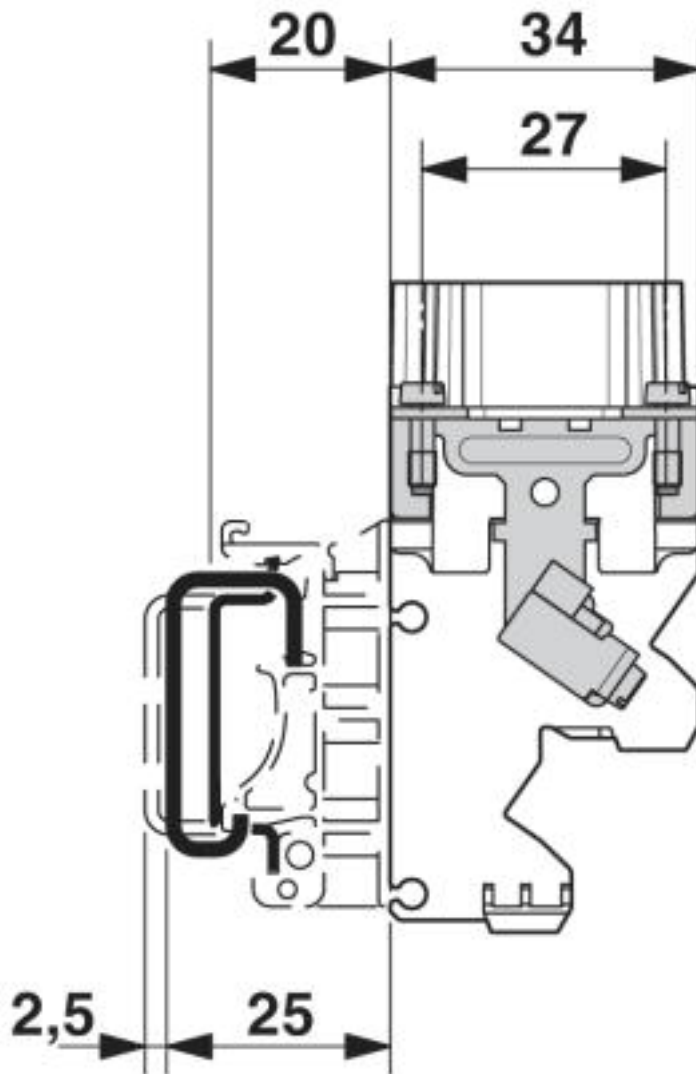
Dimensioned drawing



Connection side

# Terminal adapter - HC-B 24-A-UT-PER-M - 1648108

Dimensioned drawing



Side view

© Phoenix Contact 2013 - all rights reserved  
<http://www.phoenixcontact.com>