

Connector - SACC-MS-5CON-PG11-DUO-M SCO - 1543016

Please be informed that the data shown in this PDF Document is generated from our Online Catalog. Please find the complete data in the user's documentation. Our General Terms of Use for Downloads are valid (<http://download.phoenixcontact.com>)



Sensor/actuator plug, male, straight, 5-pos., M12 SPEEDCON, A-coded, screw connection, metal knurl, cable screw connection Pg11-DUO

Product Features

- Safe use in the field, thanks to a high degree of protection
- Flexible: connectors for on-site assembly
- Save time, thanks to installation with SPEEDCON rapid interlock system
- Screw connection: proven connection technology for a large selection of different conductors
- Save space: connect two sensors to one connector with a multiple grommet



Key commercial data

package_quantity	1
GTIN	4046356097628

Technical data

Dimensions

External diameter	2x 2.1 mm ... 3 mm (when using the seal for small outer cable diameters)
External diameter	2x 4 mm ... 5.2 mm (when using the seal for large outer cable diameters)

Ambient conditions

Ambient temperature (operation)	-40 °C ... 85 °C
Degree of protection	IP67

General

Rated current at 40°C	4 A
Rated voltage	60 V
Number of positions	5
Contact resistance	≤ 8 mΩ
Insulation resistance	≥ 100 MΩ
Coding	A - standard
Standards/regulations	M12 connector IEC 61076-2-101
Status display	No

Connector - SACC-MS-5CON-PG11-DUO-M SCO - 1543016

Technical data

General

Surge voltage category	II
Pollution degree	3
Connection method	Screw connection
Conductor cross section	0.25 mm ² ... 0.75 mm ²
AWG conductor cross section	24 ... 18
Insertion/withdrawal cycles	≥ 100
Torque	0.4 Nm (M12 knurl)
Torque	0.3 Nm ... 0.4 Nm (Pressure screw for external cable diameter of 2.1 mm ... 3 mm)
Torque	0.8 Nm ... 1 Nm (Pressure screw for outer cable diameter 4 mm ... 8 mm)
Torque	0.2 Nm (Screw terminal blocks)
Tightening torque	Screw plug insert with sleeve housing as far it will go
Assembly instructions	The wires can be connected both with ferrules and without ferrules
Assembly instructions	This connector includes one seal for small and one seal for large outer cable diameters.

Material

Inflammability class according to UL 94	V0
Contact material	CuZn
Contact surface material	CuSnZn
Contact carrier material	PA 66
Material of grip body	PA
Material, knurls	Zinc die-cast, nickel-plated
Sealing material	NBR

classifications

eCl@ss

eCl@ss 4.0	27250313
eCl@ss 4.1	27250313
eCl@ss 5.0	27143423
eCl@ss 5.1	27143423
eCl@ss 6.0	27143423
eCl@ss 7.0	27449001
eCl@ss 8.0	27449001

ETIM

ETIM 3.0	EC002062
ETIM 4.0	EC002062
ETIM 5.0	EC002062

UNSPSC

UNSPSC 6.01	31251501
--------------------	----------

Connector - SACC-MS-5CON-PG11-DUO-M SCO - 1543016

classifications

UNSPSC

UNSPSC 7.0901	31251501
UNSPSC 11	31251501
UNSPSC 12.01	31251501
UNSPSC 13.2	31251501

approvals

GOST /

Approval details



accessories

Torque tool

TSD 04 SAC - 1208429



TSD-M 1,2NM - 1212224



Screwdriver tools

TSD-M SAC-BIT ADAPTER - 1212600



Connector - SACC-MS-5CON-PG11-DUO-M SCO - 1543016

accessories

SACC BIT M12-D20 - 1208445



Protective cap

PROT-M12 FS-PA-CHAIN - 1430873



Cable by the meter

SAC-3P-100,0-PUR/0,25 - 1501689



SAC-3P-100,0-PUR/0,34 - 1501650



SAC-4P-100,0-PUR/0,25 - 1501692



Connector - SACC-MS-5CON-PG11-DUO-M SCO - 1543016

accessories

SAC-4P-100,0-PUR/0,34 - 1501663

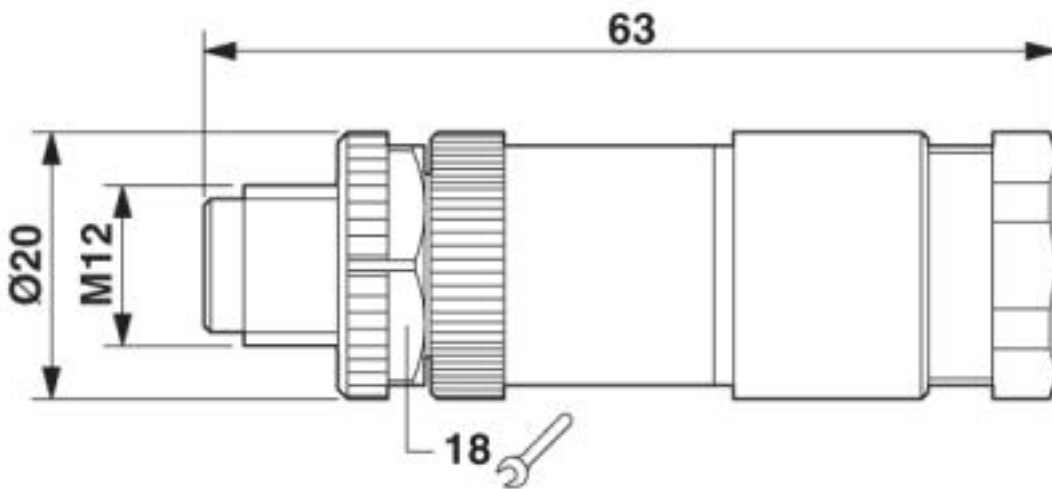


SAC-5P-100,0-PUR/0,34 - 1501676



Drawings

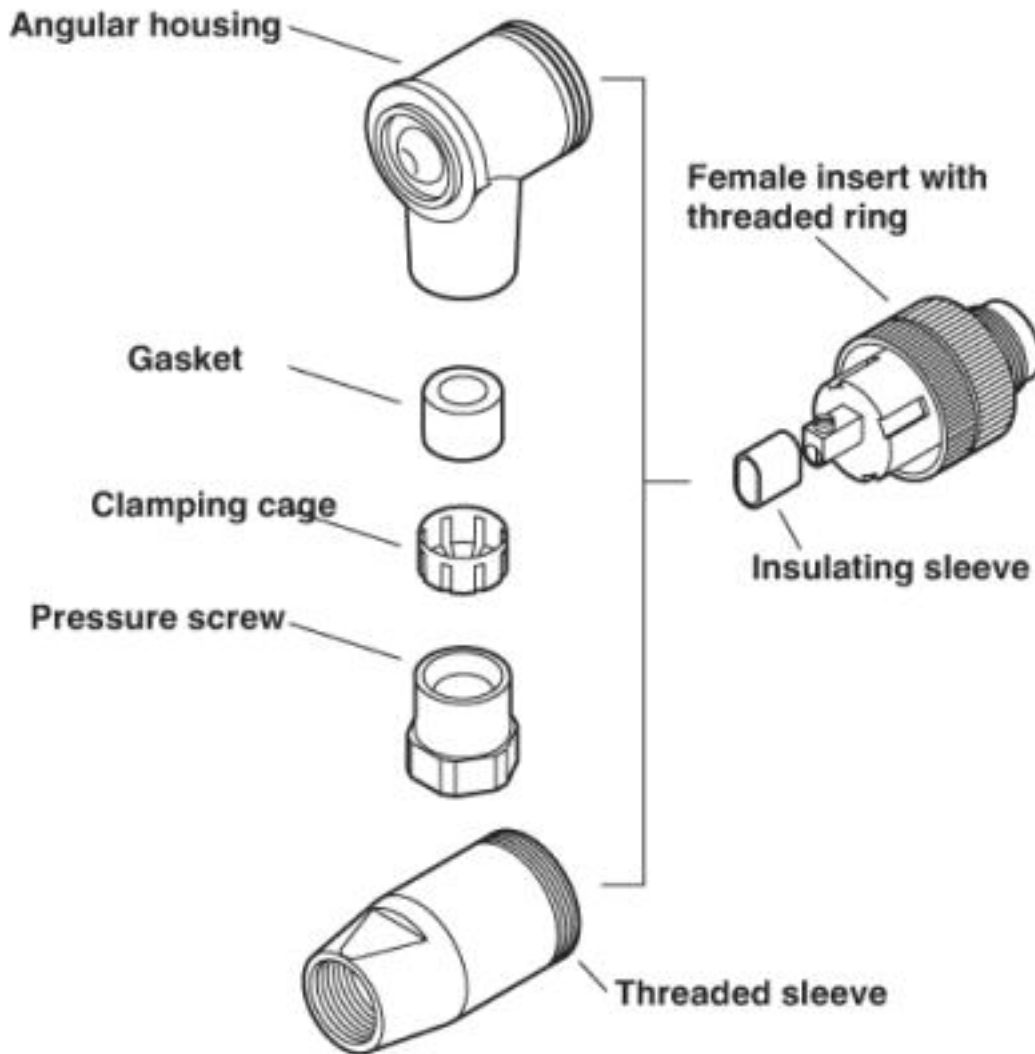
Dimensioned drawing



M12 x 1 plug, straight

Connector - SACC-MS-5CON-PG11-DUO-M SCO - 1543016

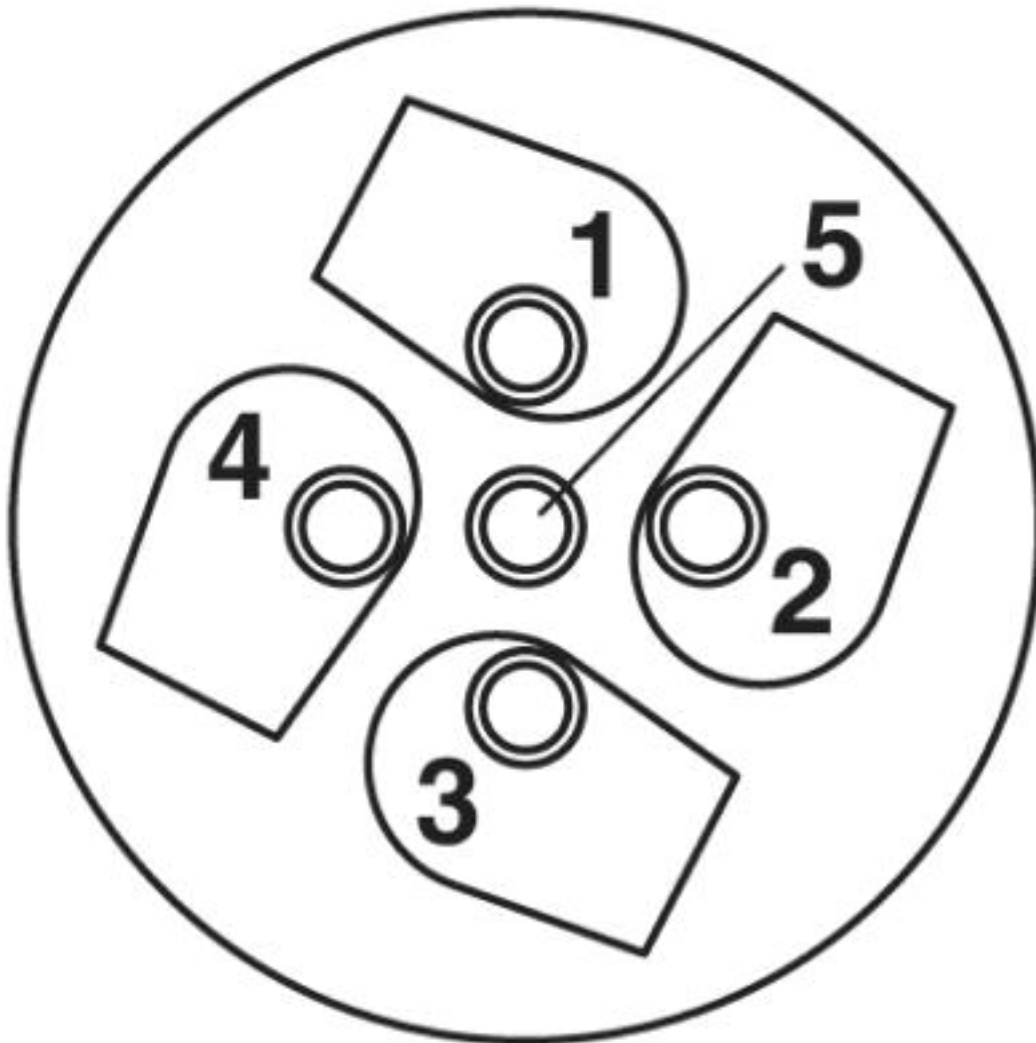
Schematic diagram



Male/Female M12

Connector - SACC-MS-5CON-PG11-DUO-M SCO - 1543016

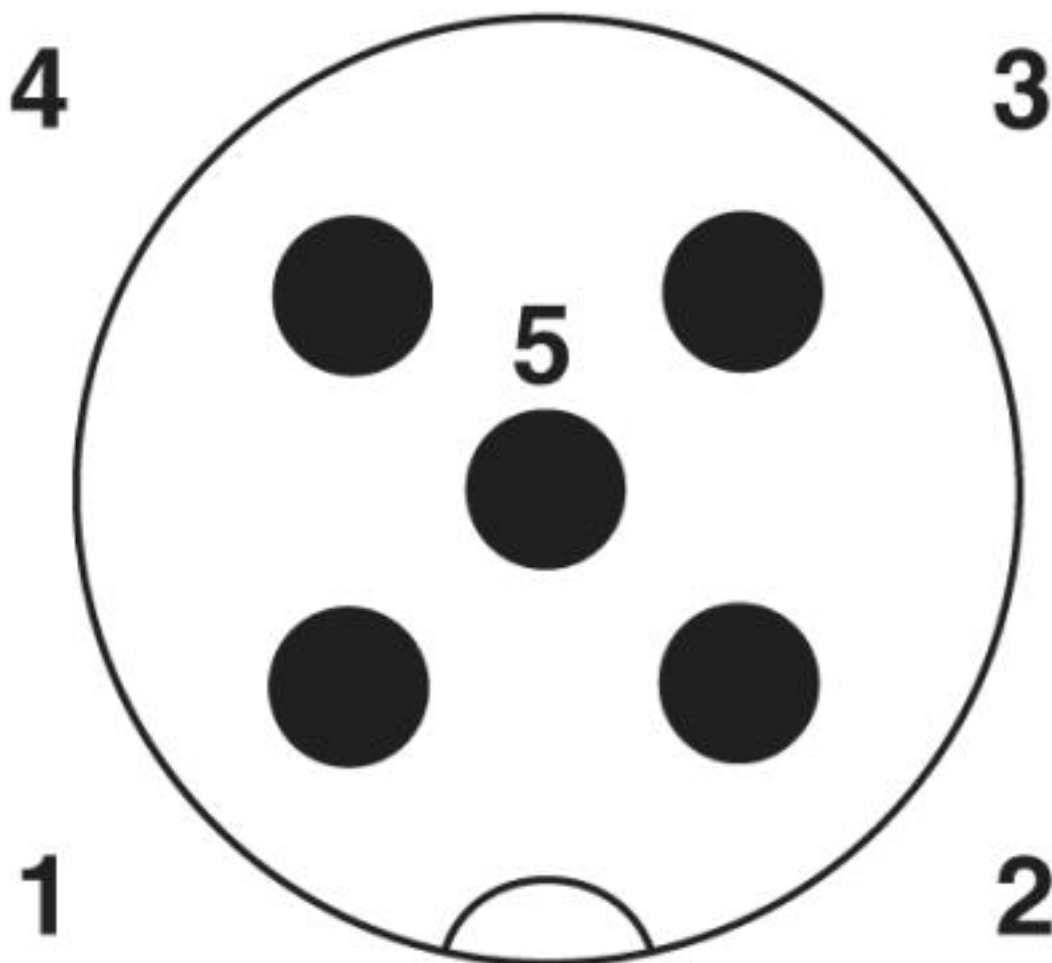
Schematic diagram



Cable connection side M12 (screw connection)

Connector - SACC-MS-5CON-PG11-DUO-M SCO - 1543016

Schematic diagram



Pin assignment M12 male connector, 5-pos., A-coded, male side

© Phoenix Contact 2013 - all rights reserved
<http://www.phoenixcontact.com>