

Contact insert - VC-AML 8 - 1852833

Please be informed that the data shown in this PDF Document is generated from our Online Catalog. Please find the complete data in the user's documentation. Our General Terms of Use for Downloads are valid (<http://download.phoenixcontact.com>)



Contact insert module, for panel mounting frames, with 90° PCB connection, 8-pos., 160 V / 10 A

Product Features

- Compact design
- Proven COMBICON technology
- Direct PCB connection
- Can be keyed to prevent incorrect connection

Key commercial data

package_quantity	50
GTIN	4017918127275

Technical data

General

Note	Connectors may only be connected/disconnected when under no load.
Connection method	Solder connection
Connection method	Solder connection
Pollution degree	3
Surge voltage category	III
Number of positions	8
Insertion/withdrawal cycles	≥ 100
Pin dimensions	0,8 x 0,8 mm
Connection in acc. with standard	IEC / EN

Ambient conditions

Ambient temperature (operation)	-40 °C ... 100 °C
--	-------------------

Material data

Inflammability class according to UL 94	V0
Contact material	CuZn
Contact surface material	Tin-plated
Contact carrier material	PA

Electrical characteristics

Rated voltage (III/3)	160 V
------------------------------	-------

Contact insert - VC-AML 8 - 1852833

Technical data

Electrical characteristics

Rated surge voltage	2.5 kV
Rated surge voltage	2.5 kV
Rated current	10 A

classifications

eCl@ss

eCl@ss 4.0	27140816
eCl@ss 4.1	27140816
eCl@ss 5.0	27371205
eCl@ss 5.1	27371205
eCl@ss 6.0	27371205
eCl@ss 7.0	27371205
eCl@ss 8.0	27371205

ETIM

ETIM 2.0	EC000437
ETIM 3.0	EC000437
ETIM 4.0	EC000437
ETIM 5.0	EC000437


UNSPSC

UNSPSC 6.01	31261501
UNSPSC 7.0901	31261501
UNSPSC 11	31261501
UNSPSC 12.01	31261501
UNSPSC 13.2	31261501

approvals

UL Recognized / cUL Recognized / GOST / LR / GOST / cULus Recognized /

Approval details

UL Recognized 	
Nominal voltage UN	250 V
Nominal current IN	8 A
mm ² /AWG/kcmil	

Contact insert - VC-AML 8 - 1852833

approvals

cUL Recognized	
Nominal voltage UN	250 V
Nominal current IN	8 A
mm ² /AWG/kcmil	

GOST

LR

--

cULus Recognized

accessories

Coding element

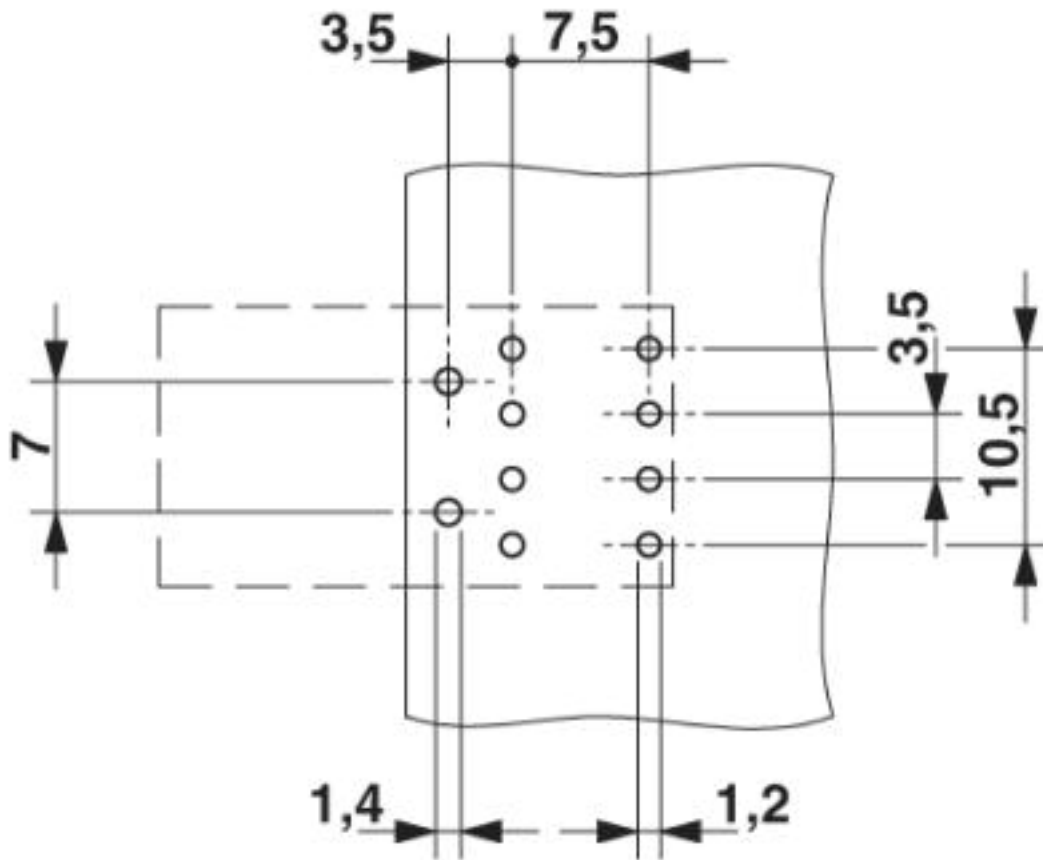
CP-MSTB - 1734634



Drawings

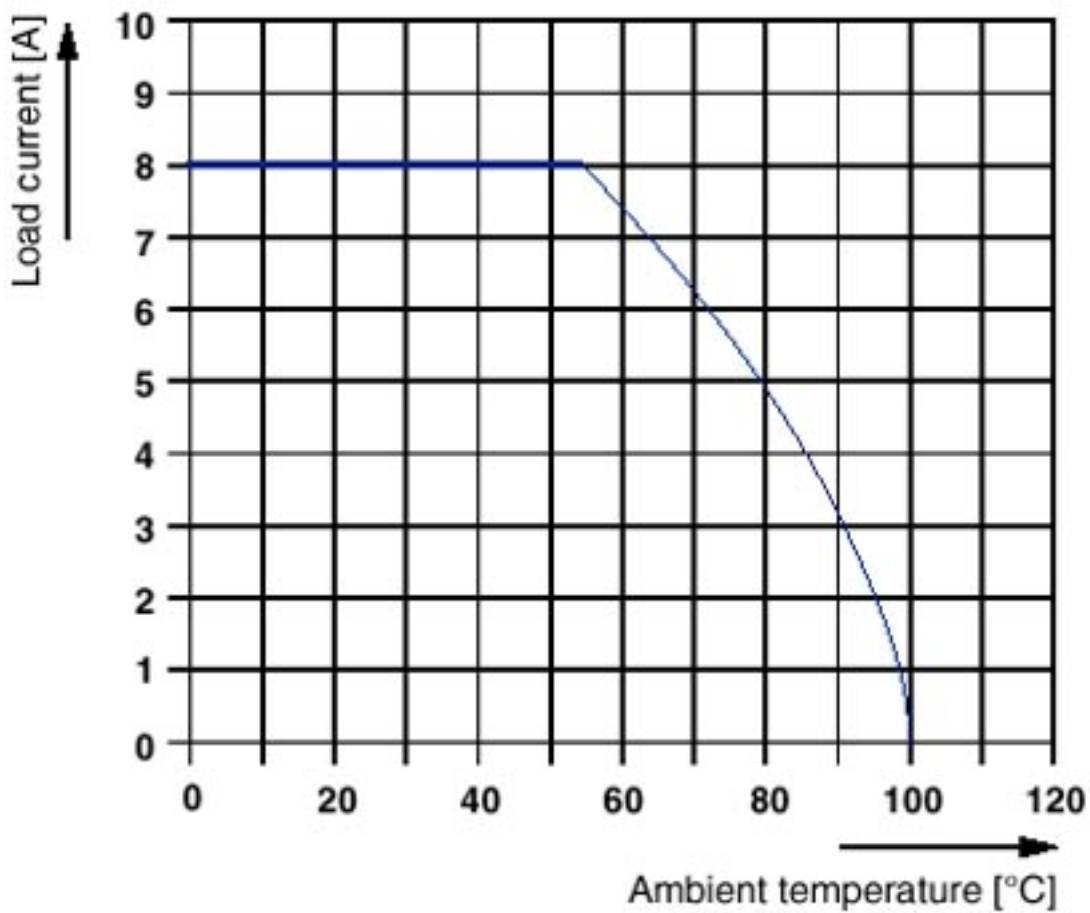
Contact insert - VC-AML 8 - 1852833

Drilling diagram



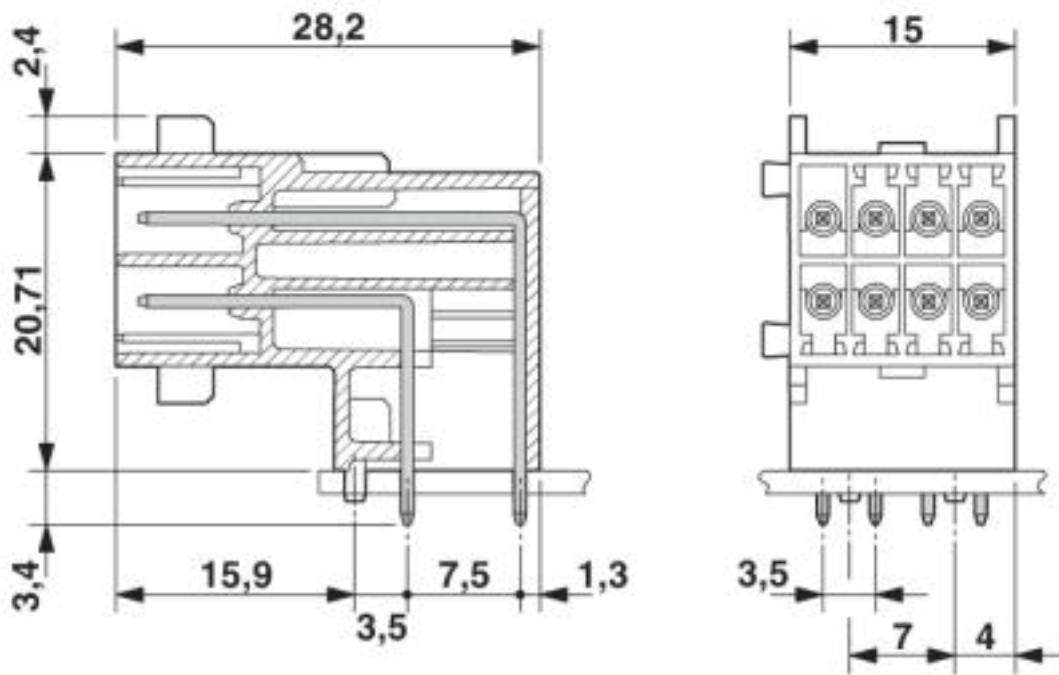
Contact insert - VC-AML 8 - 1852833

Diagram



Contact insert - VC-AML 8 - 1852833

Dimensioned drawing



© Phoenix Contact 2013 - all rights reserved
<http://www.phoenixcontact.com>