

Contact insert - HC-K 8/24-ESTC - 1636318

Please be informed that the data shown in this PDF Document is generated from our Online Catalog. Please find the complete data in the user's documentation. Our General Terms of Use for Downloads are valid (<http://download.phoenixcontact.com>)



HEAVYCON male insert, K8/24 series, for 8 power and 24 control contacts, crimp connection

Key commercial data

| | |
|------------------|---------------|
| package_quantity | 1 |
| GTIN | 4046356011457 |

Technical data

General

| | |
|---|---|
| Note | For housing HC-B10, power contacts: CK 2,5-ED, control contacts: CK 1,6-ED (crimp contacts not included in scope of delivery) |
| Connection method | Crimp connection (power contacts) |
| Connection method | Crimp connection (Signal contacts) |
| Pollution degree | 3 |
| Surge voltage category | III |
| Number of positions | 8+24+PE |
| No. of power contacts | 8 |
| No. of control contacts | 24 |
| Insertion/withdrawal cycles | ≥ 500 |
| Design | B10 |
| Conductor cross section | 0.5 mm ² ... 4 mm ² (power contacts) |
| Conductor cross section | 0.14 mm ² ... 2.5 mm ² (control contacts) |
| Connection cross section AWG | 20 ... 12 (power contacts) |
| Connection cross section AWG | 26 ... 14 (control contacts) |
| Stripping length of the individual wire | 7.5 mm (power contacts) |
| Stripping length of the individual wire | 8 mm (Control contacts, for 0.14 mm ² ... 1.5 mm ² cross section) |
| Stripping length of the individual wire | 6 mm (Control contacts, with a cross section of 2.5 mm ²) |
| Assembly instructions | - Dismantling of CK2,5-ED power contacts... using a size 0 Phillips screwdriver (DIN 5260). |
| Connection | Connectors may be plugged in only when there is no load/voltage. |

Ambient conditions

| | |
|---------------------------------|--|
| Ambient temperature (operation) | -40 °C ... 125 °C (including heating up of contacts) |
|---------------------------------|--|

Material data

Contact insert - HC-K 8/24-ESTC - 1636318

Technical data

Material data

| | |
|---|-----------------------|
| Inflammability class according to UL 94 | V0 |
| Contact material | Cu alloy |
| Material of contact surface, power contact | Ag (alternat. Au) |
| Material of contact surface, control contact | Ag (alternatively Au) |
| Contact carrier material | PA |

Electrical characteristics

| | |
|---|-----------------------------------|
| Rated voltage for power contacts | 230/400 V |
| Rated voltage (III/3) | Power 230 V (Conductor-PE) |
| Rated voltage (III/3) | Signal 160 V |
| Rated voltage (III/3) | Power 400 V (Conductor-Conductor) |
| Rated surge voltage | 4 kV (power contacts) |
| Rated surge voltage | 2.5 kV (control contacts) |
| Rated current | 16 A (power contacts) |
| Rated current | 10 A (control contacts) |

classifications

eCl@ss

| | |
|-------------------|----------|
| eCl@ss 4.0 | 27140816 |
| eCl@ss 4.1 | 27140816 |
| eCl@ss 5.0 | 27143424 |
| eCl@ss 5.1 | 27143424 |
| eCl@ss 6.0 | 27143424 |
| eCl@ss 7.0 | 27440209 |
| eCl@ss 8.0 | 27440209 |

ETIM

| | |
|-----------------|----------|
| ETIM 2.0 | EC000438 |
| ETIM 3.0 | EC000438 |
| ETIM 4.0 | EC000438 |
| ETIM 5.0 | EC000438 |

UNSPSC

| | |
|----------------------|----------|
| UNSPSC 6.01 | 30211923 |
| UNSPSC 7.0901 | 39121522 |
| UNSPSC 11 | 39121522 |
| UNSPSC 12.01 | 39121522 |
| UNSPSC 13.2 | 39121522 |

approvals

Contact insert - HC-K 8/24-ESTC - 1636318

approvals

Approval details

| | |
|----------------------------|-------|
| CSA | |
| Nominal voltage UN | 600 V |
| Nominal current IN | 16 A |
| mm ² /AWG/kcmil | 20-12 |

| | |
|----------------------------|-------|
| UL Recognized | |
| Nominal voltage UN | 600 V |
| Nominal current IN | |
| mm ² /AWG/kcmil | |

| | |
|-------------|--|
| GOST | |
|-------------|--|

accessories

Fiber optics contact

CK1,6-ED-ST-POF - 1884995



Crimp contact

CK1,6-ED-0,37ST AG - 1663336



Contact insert - HC-K 8/24-ESTC - 1636318

accessories

CK1,6-ED-0,50ST AG - 1663349



CK1,6-ED-0,75ST AG - 1663352



CK1,6-ED-1,00ST AG - 1663365



CK1,6-ED-1,50ST AG - 1663378



CK1,6-ED-2,50ST AG - 1663381



CK1,6-ED-0,37ST AU - 1674901



Contact insert - HC-K 8/24-ESTC - 1636318

accessories

CK1,6-ED-0,50ST AU - 1672453



CK1,6-ED-0,75ST AU - 1674914



CK1,6-ED-1,00ST AU - 1674888



CK1,6-ED-1,50ST AU - 1674875



CK1,6-ED-2,50ST AU - 1674927



Contact insert - HC-K 8/24-ESTC - 1636318

accessories

CK2,5-ED-0,50ST AG - 1663572



CK2,5-ED-0,75ST AG - 1663585



CK2,5-ED-1,00ST AG - 1663598



CK2,5-ED-1,50ST AG - 1663608



CK2,5-ED-2,50ST AG - 1663611



CK2,5-ED-3,00ST AG - 1663624



Contact insert - HC-K 8/24-ESTC - 1636318

accessories

CK2,5-ED-4,00ST AG - 1663637



CK2,5-ED-0,50ST AU - 1674804



CK2,5-ED-1,00ST AU - 1674781



CK2,5-ED-1,50ST AU - 1674778



CK2,5-ED-2,50ST AU - 1674817



Contact insert - HC-K 8/24-ESTC - 1636318

accessories

CK2,5-ED-4,00ST AU - 1674794



accessories

CK2,5-ED-0,37ST AG - 1585650



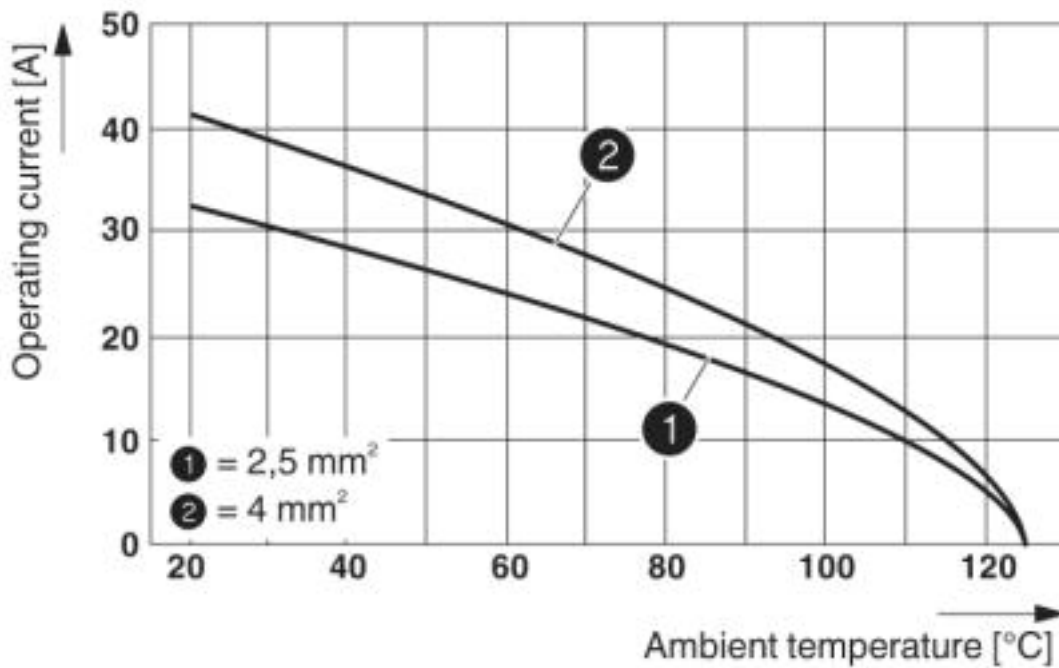
CK2,5-ED-0,37ST AU - 1585663



Drawings

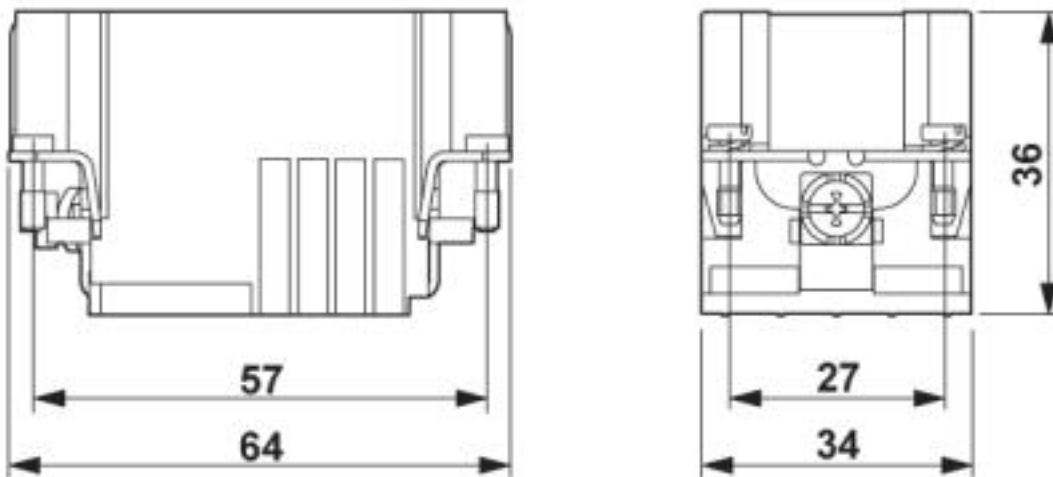
Contact insert - HC-K 8/24-ESTC - 1636318

Diagram



Derating diagram

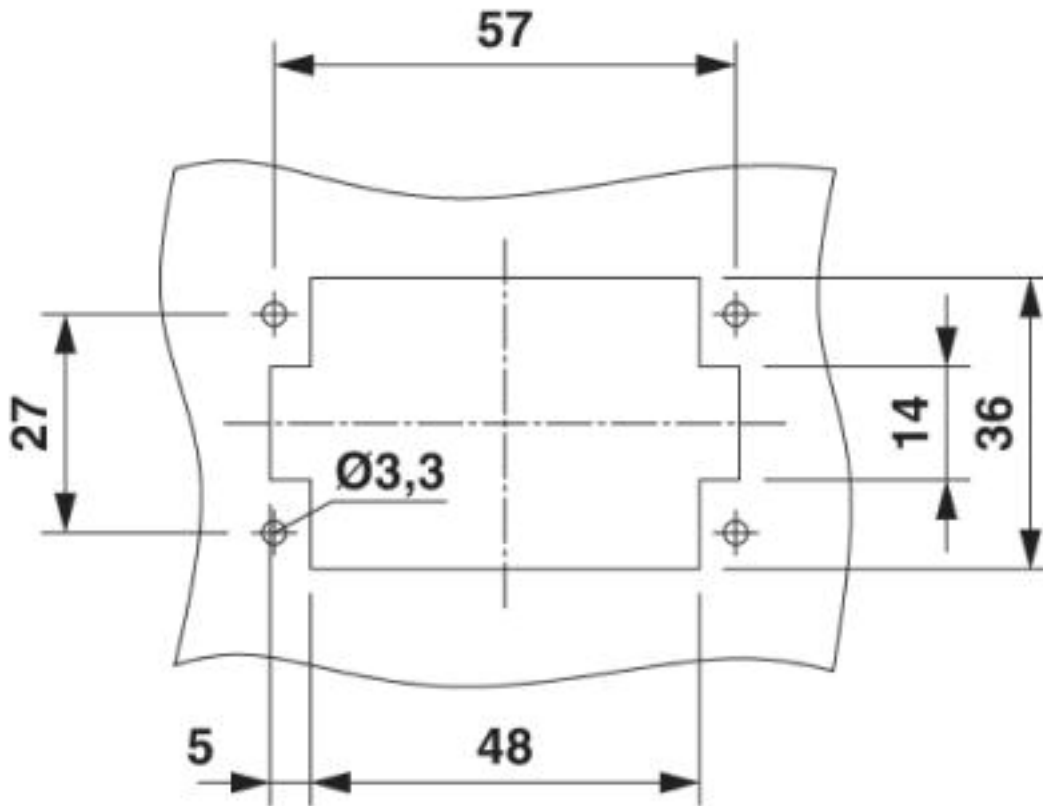
Dimensioned drawing



Dimensional drawing

Contact insert - HC-K 8/24-ESTC - 1636318

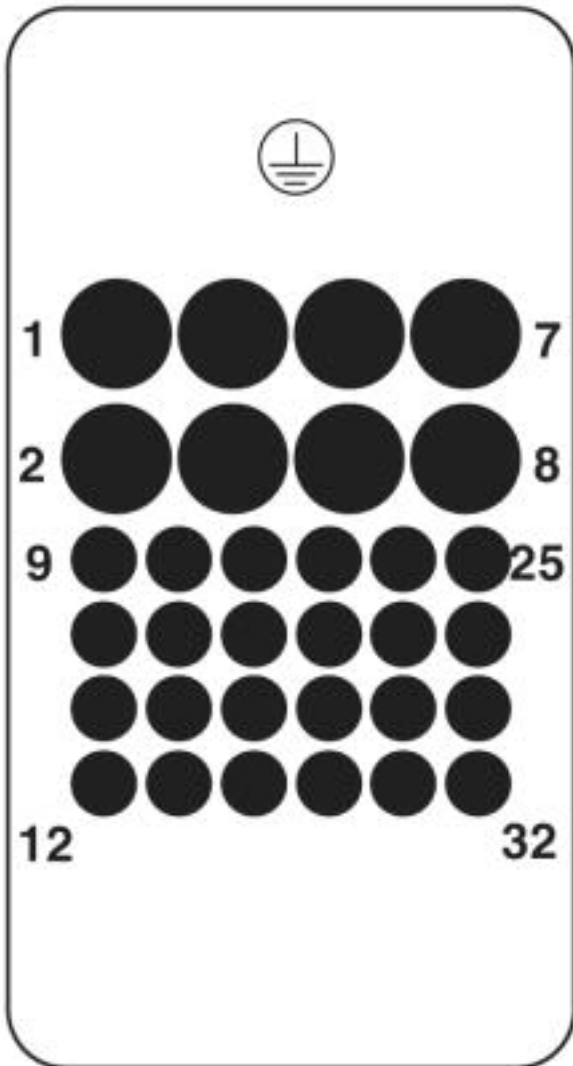
Dimensioned drawing



Panel cutout

Contact insert - HC-K 8/24-ESTC - 1636318

Schematic diagram



Connector pin assignment, connection side

© Phoenix Contact 2013 - all rights reserved
<http://www.phoenixcontact.com>