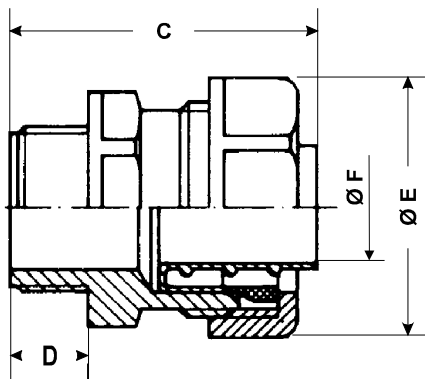




<b>DATA SHEET</b>	5550 1300
<b>SILVYN® USK-M</b>	valid from : 09.01.2008

The SILVYN® USK-M is an all plastic screwed conduit connector with hexagonal wrench surface, metric thread in acc.to EN 60423. For conduit SILVYN® FPS, FD-PU, SP, SP-PU



**Dimensiontable:**

Part no.	Description	Total length C [mm]	Smallest inner Ø F [mm]	Largest outer Ø E [mm]	Length of thread D [mm]	Wrench size 1 [mm]	Wrench size 2 [mm]
5550 1300	USK -M 10	40	6	20	10	16	18
5550 1310	USK -M 12	43	8	25	12	21	23
5550 1320	USK -M 16	43	11	30	12	24	27
5550 1330	USK -M 20	44	15	35	13	29	32
5550 1340	USK -M 25	50	20	44	13	36	40
5550 1350	USK -M 32	51	27	54	15	45	49
5550 1360	USK -M 40	51	35	63	15	54	58
5550 1370	USK -M 50	58	44,5	77	16	66	70

**Material:** connector body: plastic (PP)  
threaded ferrule: plastic (PP), locking ring: TPE

**Properties:** high dust and waterproof  
friction-type locking of conduit and screw connector  
vibration and tension-proof

**Temperature range:** -10 up to +110 °C

**Protection class:** IP65

**Standard colour:** grey

**Approvals:**



File Nr. E308201

elaborated by: TE-VZ: M.Steinberg	Dokument: DB55501300_1EN	Blatt 1 von 1
--------------------------------------	--------------------------	---------------