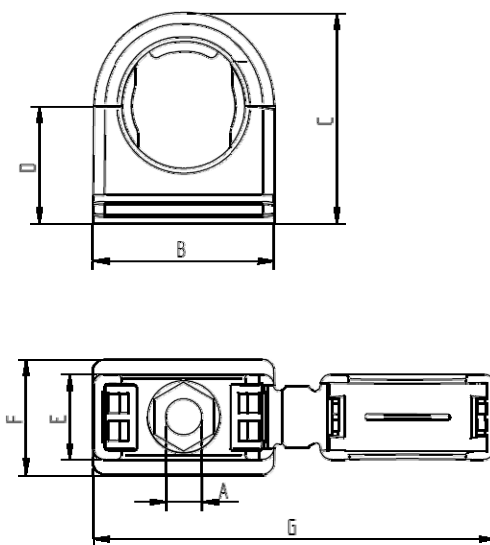




<b>DATA SHEET</b>	55506905
<b>SILVYN® FCL</b>	valid from : 01.03.2005

**Specification:**

The SILVYN® FCL is a polyamide conduit clip for corrugated flexible conduit with integrated lid. Internal ribs prevent conduit pulling through.



**Dimensions table:**

Part. No.	Type	A mm	B mm	C mm	D mm	E mm	F mm	G mm	suitable for SILVYN FPAS
5550 6905	10	5,0	22,7	26,4	15,2	12,0	20,0	51,5	10
5550 6915	13	5,0	22,7	26,4	15,2	12,0	20,0	51,5	13
5550 6925	16	5,2	26,4	29,8	16,5	12,0	20,0	58,9	16
5550 6935	21	6,2	31,8	36,5	20,4	14,8	20,0	70,4	16
5550 6945	28	6,2	40,8	44,5	24,0	14,8	20,0	88,1	18
5550 6955	34	6,2	48,0	51,5	27,2	14,8	20,0	102,6	21
5550 6965	42	6,2	57,2	6,02	31,2	14,8	20,0	120,6	28
5550 6975	54	6,2	69,7	72,7	37,2	14,8	20,0	145,2	34



<b>DATA SHEET</b>	55506905
<b>SILVYN® FCL</b>	valid from : 01.03.2005

**Technical feature:** temperature range: -40°C up to +135°C  
colour: black RAL 9005, grey RAL 7011  
material: PA 66  
fire class: UL 94 V2

**Characteristics:** halogen free  
flame retardant  
low toxicity  
oil and solvent resistant  
UV resistant in black

**Approval:**



For more information please see our current catalogue.  
Please do not hesitate to contact our laboratory if there any questions regarding  
resistance against aggressive agents and special oil.