



DATA SHEET	61804702
SILVYN® LCC-2	valid from : 31.08.2007

SILVYN® LCC-2 consists of enclosed, wound and highly flexible metal conduit of galvanized steel strip with a PVC- outer sheath. For use under heavy conditions particularly suitable, influences from water, oil and chemicals by extremely mechanical load and changing temperatures.



Material: galvanized steel
PVC – outer sheath

Characteristics: extremely flexible
Tensile strength
Cross compression resistant

Resistance: good resistance to acids, oils and chemicals
high mechanical protection

Temperature range: -15°C up to +70°C

Colour: black

Technical data:

Part no.	Conduit	Diameter mm		Min. Bending radius mm
		inner	outer	
6180 4702	SILVYN® LCC-2/10	6,8	10,0	25
6180 4712	SILVYN® LCC-2/12	10,2	14,0	30
6180 4722	SILVYN® LCC-2/16	13,0	17,0	40
6180 4732	SILVYN® LCC-2/20	16,9	21,5	45
6180 4742	SILVYN® LCC-2/25	21,1	26,0	55
6180 4752	SILVYN® LCC-2/32	28,1	34,0	70
6180 4762	SILVYN® LCC-2/40	37,6	44,5	80
6180 4772	SILVYN® LCC-2/50	48,4	55,0	90
6180 4792	SILVYN® LCC-2/63	57,5	64,5	115

DATA SHEET	61804702
SILVYN® LCC-2	valid from : 31.08.2007

Compatible glands / accessories:

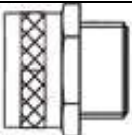
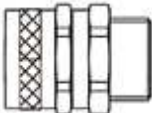
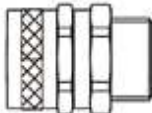
SILVYN® LGF-2-M; LGS-2-M; LGS-2; LCG-M; LCW-M; SAT

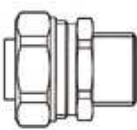
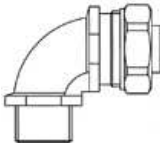
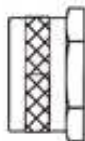
Protection class:

SILVYN® LCC-2 with LGF-2-M; LGS-2-M; LGS-2; SAT **IP54**

SILVYN® LCC-2 with LCG-M; LCW-M **IP65**

Allocation tables:

Conduit	 LGF-2-M	 LGS-2-M	 LGS-2
SILVYN® LCC-2/10	LGF-2-M 12x1,5	LGS-2-M 12x1,5	LGS-2 7
SILVYN® LCC-2/12	LGF-2-M 16x1,5/1	LGS-2-M 16x1,5/1	LGS-2 9
SILVYN® LCC-2/16	LGF-2-M 16x1,5/2	LGS-2-M 16x1,5/2	LGS-2 11
SILVYN® LCC-2/16	LGF-2-M 20x1,5 /1	LGS-2-M 20x1,5 /1	
SILVYN® LCC-2/20	LGF-2-M 20x1,5 /2	LGS-2-M 20x1,5 /2	LGS-2 13,5
SILVYN® LCC-2/20			LGS-2 16
SILVYN® LCC-2/25	LGF-2-M 25x1,5	LGS-2-M 25x1,5	LGS-2 21
SILVYN® LCC-2/32	LGF-2-M 32x1,5	LGS-2-M 32x1,5	LGS-2 29
SILVYN® LCC-2/40	LGF-2-M 40x1,5	LGS-2-M 40x1,5	LGS-2 36
SILVYN® LCC-2/50	LGF-2-M 50x1,5	LGS-2-M 50x1,5	
SILVYN® LCC-2/63	LGF-2-M 63x1,5	LGS-2-M 63x1,5	LGS-2 48

Conduit	 LCG-M	 LCW-M	 SAT
SILVYN® LCC-2/10	LCG-M 12x1,5		SAT 10
SILVYN® LCC-2/12	LCG-M 16x1,5/1		SAT 12
SILVYN® LCC-2/16	LCG-M 16x1,5/2		SAT 16
SILVYN® LCC-2/16	LCG-M 20x1,5/1	LCW-M 20x1,5/1	
SILVYN® LCC-2/20	LCG-M 20x1,5/2	LCW-M 20x1,5/2	SAT 20
SILVYN® LCC-2/25	LCG-M 25x1,5	LCW-M 25x1,5	SAT 25
SILVYN® LCC-2/32	LCG-M 32x1,5	LCW-M 32x1,5	SAT 32
SILVYN® LCC-2/40	LCG-M 40x1,5		SAT 40
SILVYN® LCC-2/50	LCG-M 50x1,5		SAT 50
SILVYN® LCC-2/63			SAT 63