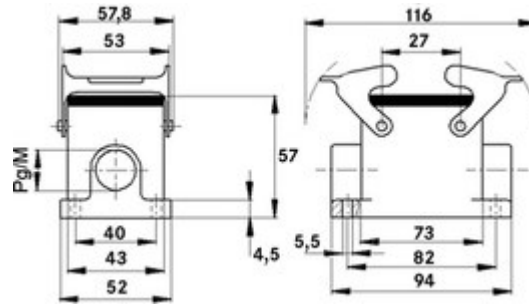


Housing design H-B. The industry standard.

Product Description

The smallest housing with single and double lever. The right housing is available for every application



Application range

- Plant engineering
- Light & sound technology
- Plastics industry

Benefits

- The smallest housing with single and double lever. The right housing is available for every application

Product features

- Surface-mount base, low version
- Dual levers
- 1 cable entry



Technical Data

Material

Housing: powder-coated aluminium alloy, grey

Lever: zinc-plated steel Sealing: NBR

Protection rating

IP 65 (latched)

Temperature range

-40 °C to +100 °C, short-term up to +125 °C

Article List

Part number	Article	M	PG	Pieces / PU
H-B housing: surface-mount base (1 cable entry, double lever)				
10034000	H-B 10 SGR 16		16	10
19034000	H-B 10 SGR M20	20		10
19034100	H-B 10 SGR M25	25		10

Footnote:

Photographs are not to scale and do not represent detailed images of the respective products.