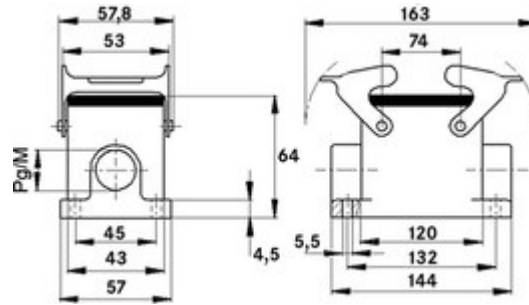


Housing design H-B. The industry standard.

Product Description

Ideal for many applications due to a wide range of housings and inserts



Application range

- Plant engineering
- Light & sound technology
- Plastics industry

Benefits

- Ideal for many applications due to a wide range of housings and inserts

Product features

- Surface-mount base, low version
- Dual levers
- 2 cable entries



Technical Data

Material

Housing: powder-coated aluminium alloy, grey

Lever: zinc-plated steel Sealing: NBR

Protection rating

IP 65 (latched)

Temperature range

-40 °C to +100 °C, short-term up to +125 °C

Article List

Part number	Article	M	PG	Pieces / PU
H-B housing: surface-mount base (2 cable entries, double lever)				
10105000	H-B 24 SGRL 21		21	5
19105000	H-B 24 SGRL M25	25		5

Footnote:

Photographs are not to scale and do not represent detailed images of the respective products.