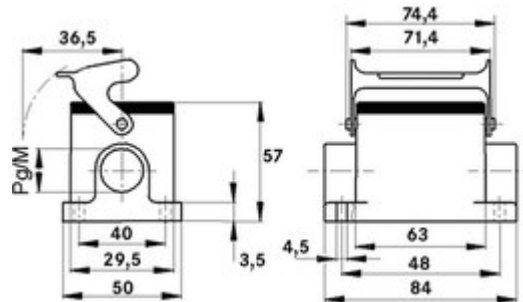


These connectors are attractive because of their compact housing.

Product Description

Small and space-saving for narrow available space



Application range

- Machine and equipment manufacturing
- Control engineering
- Electronic laboratory

Benefits

- Small and space-saving for narrow available space

Product features

- Surface-mount base
- Single lever
- 1 cable entry



Technical Data

Material

Housing: aluminium alloy, grey Lever: zinc-plated steel Sealing: NBR

Protection rating

IP 65 (latched)

Temperature range

-40 °C to +100 °C, short-term up to +125 °C

Article List

Part number	Article	M	PG	Pieces / PU
H-A housing: surface-mount base (1 cable entry, single lever)				
10448100	H-A 10 SGR-LB 16		16	5
10448000	H-A 10 SGR-LB 21		21	5
19448100	H-A 10 SGR-LB M20	20		5
19448000	H-A 10 SGR-LB M25	25		5

Footnote:

Photographs are not to scale and do not represent detailed images of the respective products.