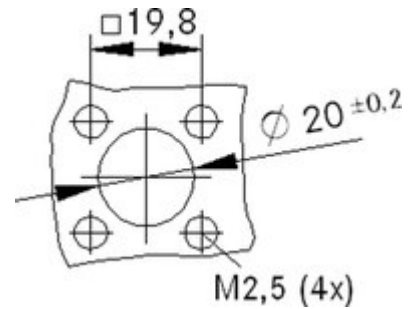
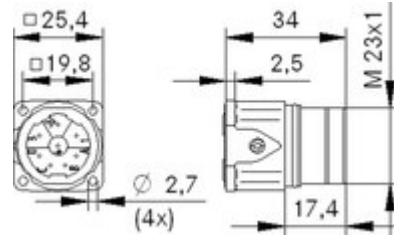


Circular connectors for servomotors and power supply

### Product Description

The power connectors with the contact configurations of 5+PE and 3+PE+4 are designed for use in servomotors and servo assemblies.



### Application range

- Plant engineering
- Servo drives and servo assemblies

### Benefits

- The power connectors with the contact configurations of 5+PE and 3+PE+4 are designed for use in servomotors and servo assemblies.

### Product features

- Panel-mount base, straight entry
- For male contacts crimp
- Housing with pre-assembled insulation



**Technical Data**

**Rated voltage (V)**

630 V (2 mm contacts)

250 V (1 mm contacts)

**Rated impulse voltage**

6 kV (2 mm contacts)

4 kV (1 mm contacts)

**Rated current (A)**

26 A (2 mm contacts)

7 A (1 mm contacts)

**Contact resistance**

< 4 mOhm

**Contacts**

Gold-plated brass

**Number of contacts**

3 + PE + 4

**Termination methods**

Crimp termination: 0.5 - 2.5 mm<sup>2</sup> (2 mm contacts)

Crimp termination: 0.14 - 1.0 mm<sup>2</sup> (1 mm contacts)

**Material**

Housing: nickel-plated zinc die-casting, nickel-plated brass

Insert: PA, Seal: FPM

**Protection rating**

IP68 (10h / 1m)

**Cycle of mechanical operation**

500

**Temperature range**

-25°C - +125°C

**VDE-tested**

Certified production control: VDE-REG. no. 25

**Degree of soiling**

3

**Article List**

Part number	Article	Contacts included	Fastening type	Pin configuration	Pieces / PU
Type LS1 A1, 8-pin, for male contacts					
76004000	LS1 A1	8	Ø 2.7 mm (4x)	3 + PE + 4	5
76004510	LS1 A1		Ø 2.7 mm (4x)	3 + PE + 4	20

**Footnote:**

Photographs are not to scale and do not represent detailed images of the respective products.