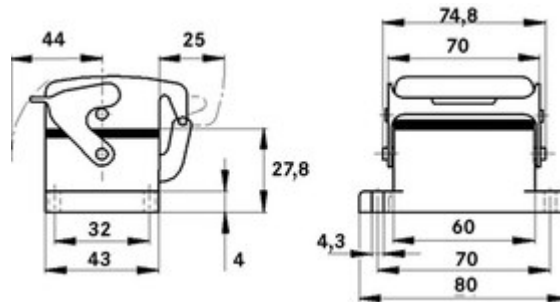


Housing design H-B. The industry standard.

Product Description

The smallest housing out of the H-B series. For inserts with high electrical properties



Application range

- Plant engineering
- Control engineering
- Plastics industry

Benefits

- The smallest housing out of the H-B series. For inserts with high electrical properties

Product features

- Panel-mount base
- Single lever
- Metal cover
- Included: flat gasket



Technical Data

Material

Housing: powder-coated aluminium alloy, grey

Lever: zinc-plated steel Sealing: NBR

Protection rating

IP 65 (latched)

Temperature range

-40 °C to +100 °C, short-term up to +125 °C

Article List

Part number	Article	Pieces / PU
H-B housing: panel-mount base (cover, single lever)		
10004000	H-B 6 AD-LB	10

Footnote:

Photographs are not to scale and do not represent detailed images of the respective products.