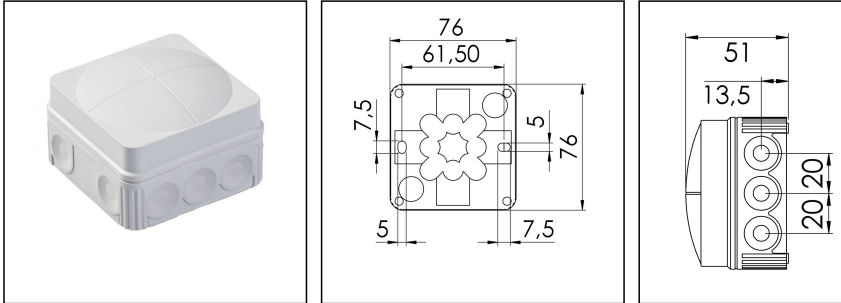



COMBI 108/empty/S

Junction box, polypropylene



Product illustrations are exemplary and may differ from the chosen product. Further variants and individual customization, we will gladly provide you on request.



Material	Polypropylene
Material sealing gasket	TPE
Temp. range min	-25 °C
Temp. range max	50 °C
Intermittent temp. range	75 °C
Temperatures during install.	-5 °C - 60°C
Protection class	IP 66
Glow wire test	750 °C
Voltage	400 V
Terminals/poles	2,5 mm ²
Fixing	2 internal openings
Cable diameter min	3 mm
Cable diameter max	14 mm
External dimensions LxWxH	76 x 76 x 51mm
Using for cable gland	
Advice	-.../S = RAL 9005
Product Color	RAL 9005
WISKA-Order no.	10061999
Type	COMBI 108/empty/S
Packing unit	10
ETIM-Classification	EC002600

Remarks:

Fixing: By mounting clip or two internal openings outside of the sealing area

Equipment: 10 elastic self-sealing puncture-membranes for cable entry on the side and 2 in the bottom

11.02.2015