

Surge protection device - C-SAT-BOX - 2880561

Please be informed that the data shown in this PDF Document is generated from our Online Catalog. Please find the complete data in the user's documentation. Our General Terms of Use for Downloads are valid (<http://download.phoenixcontact.com>)



Surge protection for antenna distributors in satellite systems. IN and OUT via F connectors, 5 channels for signals from SAT systems and terrestrial antennas, ground connection on the outside of the housing.

Product Features

- Wall mounting supported
- Protection for antenna inputs in satellite receiver technology
- Analog and digital SAT signals
- Terrestrial antenna signals
- Use before antenna distributor or multi-switch

Key commercial data

package_quantity	1
GTIN	4046356048941

Technical data

Dimensions

Height	32 mm
Width	145 mm
Depth	72 mm

Ambient conditions

Ambient temperature (operation)	-25 °C ... 55 °C
Ambient temperature (storage/transport)	-40 °C ... 80 °C
Degree of protection	IP40

General

Housing material	Zinc die-cast
Color	silver
Standards for air and creepage distances	IEC 60664-1
Standards for air and creepage distances	DIN VDE 0110-1
Surge voltage category	II
Pollution degree	2
Mounting type	Screw mounting
Design	Housing for surface mounting
Number of positions	5
Direction of action	Line-Shield/Earth Ground

Surge protection device - C-SAT-BOX - 2880561

Technical data

Protective circuit

IEC test classification	B2
IEC test classification	C1
IEC test classification	C2
IEC test classification	C3
IEC test classification	D1
Nominal voltage U_N	14 V ([NO ASSET AVAILABLE: TXB,7278396,P])
Nominal voltage U_N	18 V ([NO ASSET AVAILABLE: TXB,7278397,P])
Maximum continuous operating voltage U_c	20 V DC
Maximum continuous voltage U_c (wire-ground)	20 V DC
Maximum continuous voltage U_c (wire-shield)	20 V DC
Nominal current I_N	400 mA (25 °C)
Operating effective current I_c at U_c	$\leq 2 \mu A$
Residual current I_{PE}	$\leq 2 \mu A$
Nominal discharge current I_n (8/20) μs (Core-Earth)	2.5 kA
Nominal discharge current I_n (8/20) μs (Core-Shield)	2.5 kA
Total surge current (8/20) μs	10 kA
Max. discharge current I_{max} (8/20) μs maximum (Core-Earth)	2.5 kA
Max. discharge current I_{max} (8/20) μs maximum (Core-Shield)	2.5 kA
Nominal pulse current I_{an} (10/1000) μs (Core-Earth)	100 A
Nominal pulse current I_{an} (10/1000) μs (Core-Shield)	100 A
Nominal pulse current I_{an} (10/700) μs (Core-Earth)	100 A
Nominal pulse current I_{an} (10/700) μs (Core-Shield)	100 A
Output voltage limitation at 1 kV/ μs (Core-Earth) static	$\leq 80 V$
Output voltage limitation at 1 kV/ μs (Core-Shield) static	$\leq 80 V$
Voltage protection level U_p (Core-Earth)	$\leq 500 V$ (C2 (4 kV/2 kA))
Voltage protection level U_p (Core-Earth)	$\leq 120 V$ (C3 - 100 A)
Voltage protection level U_p (Core-Shield)	$\leq 500 V$ (C2 (4 kV/2 kA))
Voltage protection level U_p (Core-Shield)	$\leq 120 V$ (C3 - 100 A)
Response time t_A (Core-Earth)	$\leq 1 ns$
Response time t_A (Core-GND)	$\leq 1 ns$
Input attenuation a_E , asym.	$\leq 3 dB$ (5 MHz ... 2.4 GHz)
Input attenuation a_E , asym.	$\leq 1 dB$ (5 MHz ... 2.2 GHz)
Near-end crosstalk attenuation	$\geq 35 dB$ (5 MHz ... 2.4 GHz)
Cut-off frequency f_g (3 dB), asym. (shield) in 75 Ohm system	$> 2.5 GHz$
Frequency range	47 MHz ... 2.5 GHz
Capacity (Core-Core)	typ. 25 nF (f = 1 kHz)
Inductivity in series	typ. 5 μH ([NO ASSET AVAILABLE: TXB,7278431,P])
Resistance in series	3.3 Ω 10 %
Surge carrying capacity in acc. with IEC 61643-21 (Core-Earth)	B2 (4 kV / 100 A)
Surge carrying capacity in acc. with IEC 61643-21 (Core-Earth)	C1 (1 kV / 500 A)

Surge protection device - C-SAT-BOX - 2880561

Technical data

Protective circuit

Surge carrying capacity in acc. with IEC 61643-21 (Core-Earth)	C2 (4 kV / 2 kA)
Surge carrying capacity in acc. with IEC 61643-21 (Core-Earth)	D1 (500 A)

Connection data

Connection method	F connector
Connection type IN	F connector, female
Connection type OUT	F connector, female

Connection, equipotential bonding

Connection method	Screw connection
-------------------	------------------

classifications

eCl@ss

eCl@ss 4.0	27140201
eCl@ss 4.1	27130801
eCl@ss 5.0	27130801
eCl@ss 5.1	27130801
eCl@ss 6.0	27130807
eCl@ss 7.0	27130807
eCl@ss 8.0	27130807

ETIM

ETIM 2.0	EC000943
ETIM 3.0	EC000943
ETIM 4.0	EC000943
ETIM 5.0	EC000943

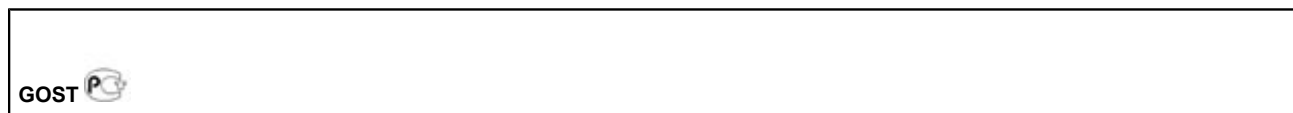
UNSPSC

UNSPSC 6.01	30212010
UNSPSC 7.0901	39121610
UNSPSC 11	39121610
UNSPSC 12.01	39121610
UNSPSC 13.2	39121620

approvals

GOST /

Approval details



Surge protection device - C-SAT-BOX - 2880561

accessories

Coaxial adapter

ADAPTER KOAX TYP F - 2880972



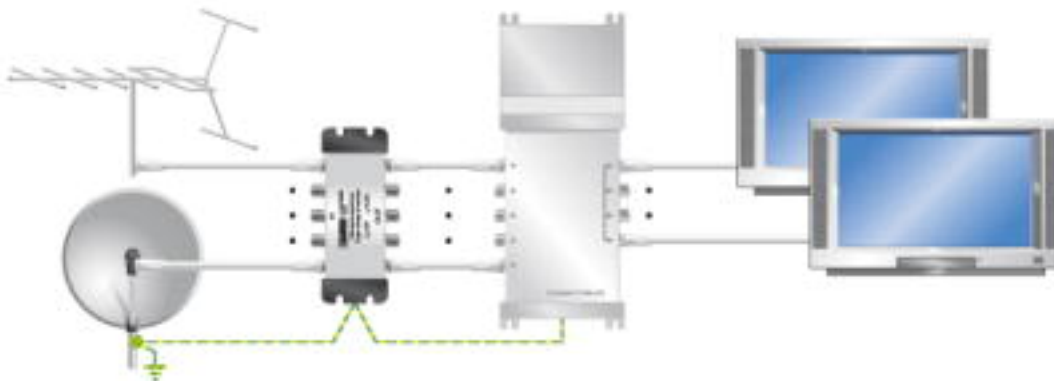
Coaxial cable

KBL-SAT/20 - 2880985



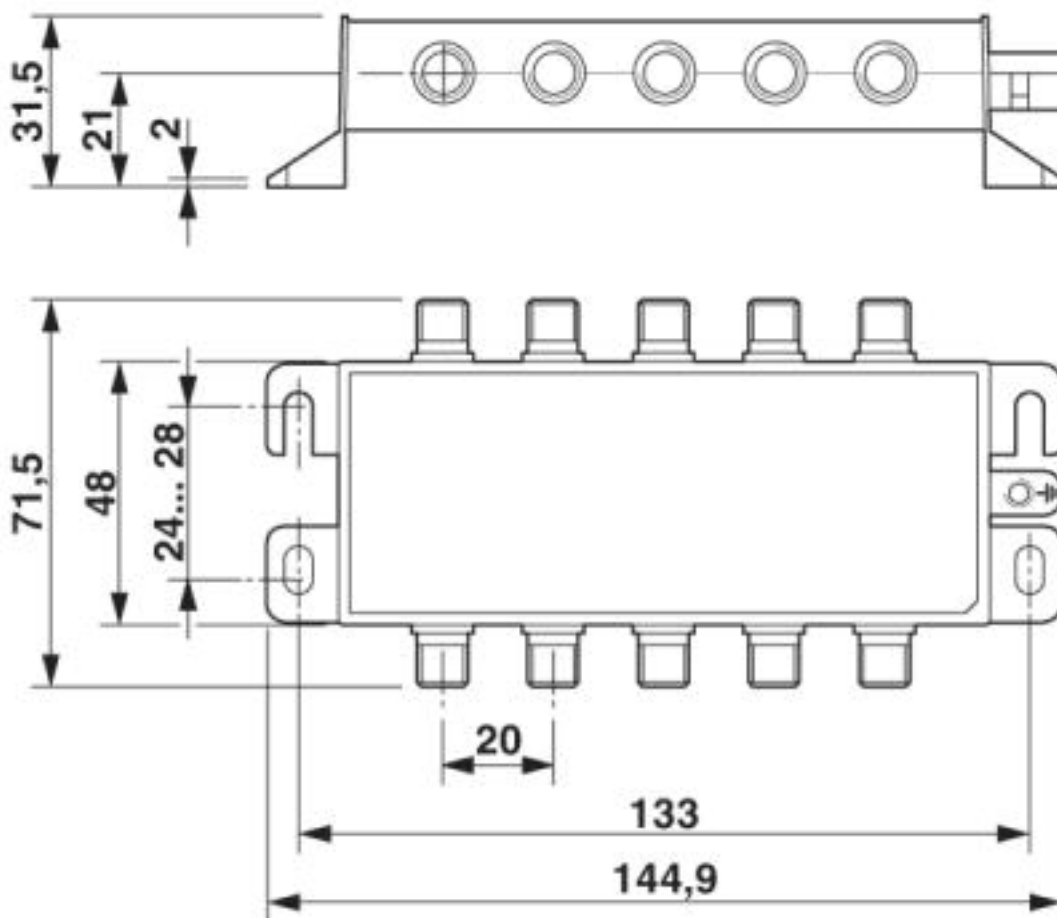
Drawings

Application drawing



Surge protection device - C-SAT-BOX - 2880561

Dimensioned drawing



Circuit diagram

