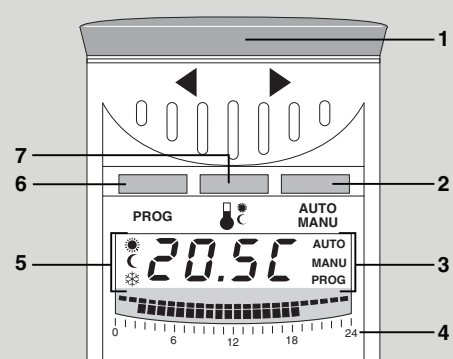


Operating elements and display



- 1 Adjustment dial
Set temperature and time
- 2 **AUTO/MANU** button
Change between automatic and manual mode
- 3 Auto, Manu or Prog mode
- 4 Heating or economy period in hours
- 5 Heating or economy temperature or frost protection
- 6 **PROG** button
Set time program
- 7 **Frost** button
Set the comfort and economy temperatures

Deleting switching points

Please note that 2 switching points each determine a heating period.

- ▶ In order to delete a switching point turn the adjustment dial until --.-- is displayed and press the **PROG** button.

Rondostat is always awake!

Window function

If you open a window so that the temperature drops quickly, the Rondostat closes the radiator valve in order to save energy. The message **OPEN** is displayed. When the temperature rises again – or 30 minutes have passed – Rondostat opens the valve again. You can also open the valve beforehand by pressing the **PROG** button or turning the adjustment dial.

Note: This functionality is only effective when the Rondostat is located directly within the flow of cool air from an open window.

Valve protection

If the valve has not been opened once completely within the period of a week, Rondostat automatically opens the valve briefly on Mondays in order to prevent seizing (display **CYCL**).

Frost protection

If the temperature drops below 4°C, the Rondostat opens the radiator valve until the temperature rises above 6°C again. In this way Rondostat prevents the radiator from freezing.

How Rondostat works

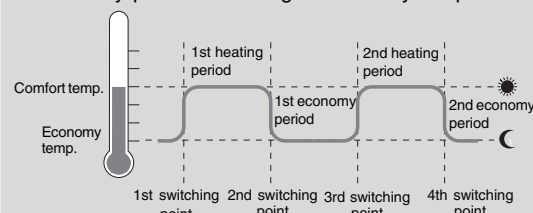
Temperatures and control periods

Rondostat differentiates between two temperatures:

- Comfort temperature **☼** (factory setting 21 °C)
- Economy temperature **☾** (factory setting 16 °C)

In automatic mode Rondostat changes between these two temperatures in accordance with an adjustable time program:

- Heating period: Heating to comfort temperature
- Economy period: Lowering to economy temperature



Time program

The heating and economy periods (the 2nd heating period is optional) are specified by freely programmable time programs. The factory default setting for the time program is:

- Heating period from 06:00 – 22:00
- Economy period from 22:00 – 06:00

Other setting options

Constant temperature without time program (vacation)

- ▶ Use the **AUTO/MANU** button to switch to Manual mode (display **MANU**).

- ▶ Set the temperature using the adjustment dial. This temperature is retained until you switch to Auto mode.

Heating break

If you have switched off the central heating system in summer and do not want to run down the Rondostat batteries.

- ▶ Use the **AUTO/MANU** button to switch to Manual operation.

- ▶ Turn the adjustment dial clockwise until the **OFF** message appears in the display. The valve now remains open and Rondostat is not active.

Child-proofing

You can disable the Rondostat in order to prevent misuse:

- ▶ Hold the **AUTO/MANU** and **Frost** buttons down for 3 seconds. The message **block** is displayed.

The same key combination is used to release the Rondostat again for operation.

To set the Rondostat

Adjustment dial

Use the adjustment dial to change the current room temperature to the next switching point in automatic mode.

Setting the comfort and economy temperatures

- ▶ Press the **Frost** button.
- ▶ Use the adjustment dial to set the comfort temperature.
- ▶ Press the **Frost** button.
- ▶ Use the adjustment dial to set the economy temperature.
- ▶ Use the **Frost** button to confirm the changes. Finished!

Operating hints

Operating the Rondostat comfortably

- ▶ In order to adjust the time program comfortably turn the retaining bracket upwards and remove the operating unit (display **EE**).

- ▶ Slide the operating unit back on afterwards. Turn the retaining bracket to the rear (display **EE** disappears).

Lost your way in the program?

- ▶ Press the **AUTO/MANU** button. Rondostat rejects the last entry and returns to Auto or Manu mode.

Valve lift settings

Rondostat operates with a factory setting with the optimum valve lift (default lift) that is required for room temperature control.

Full-stroke mode

If the entire valve stroke is to be used or if the valve does not close completely, change to the full-stroke mode.

- ▶ Press and hold the **Frost** button and slide the operating unit onto the valve baseplate and lock it (display **FULL**).

Default-stroke mode

- ▶ Press and hold the **PROG** button and slide the operating unit onto the valve baseplate and lock it (display **DEF**).

Closing the radiator valve

- ▶ Use the **AUTO/MANU** button to switch to Manu mode.
- ▶ Turn the adjustment dial anti-clockwise until the **OFF** message appears in the display. The radiator valve is closed. Frost protection is ensured.

Empty batteries

- ▶ If **block** is displayed permanently, the radiator valve is opened.

Time program: Heating and economy periods

Rondostat disposes of 2 independent time programs. Select the week or day programs.

Setting the week programs (all days identical):

- ▶ Press the **PROG** button. (display **PROG**).
- ▶ Use the adjustment dial to select **1-7** and press the **PROG** button.
- ▶ Use the adjustment dial to set the 1st switching point and confirm with the **PROG** button.
- ▶ Use the adjustment dial to set the 2nd switching point and confirm with the **PROG** button.
- ▶ If applicable, set switching points 3 and 4 for a 2nd heating period.
- ▶ Press the **PROG** button to complete the process.

Setting the day program (individual days of the week):

- The days of the week are numbered from 1–7 (Monday–Sunday).
- ▶ Press the **PROG** button (display **PROG**).
 - ▶ Use the adjustment dial to select the desired day of the week and press the **PROG** button.
 - ▶ Set the switching points as described under "Week program".
 - ▶ Select the next day of the week or terminate using the **AUTO/MANU** button.

Troubleshooting

| Problem/Display | Cause | Solution |
|------------------------------|---|---|
| Radiator will not cool down. | Valve does not close fully. | Check the installation. If appropriate, change to full-stroke mode. |
| block blinks | The battery power is too low. | Replace the batteries as soon as possible. |
| block | Batteries flat. | Change batteries. |
| EE | Control element is not pushed on correctly. | Push on control element correctly. |
| E3 | Motor cannot be moved. | Check installation, clean if necessary. |

Emergency operation when batteries are flat

- ▶ Release and remove the operating unit.
- ▶ Operate the radiator valve manually using the adjustment dial at the valve baseplate.

Restoring the factory settings

- ▶ Remove the batteries.
- ▶ Press and hold all 3 buttons and insert the batteries.

WEEE directive 2002/96/EC - Waste Electrical and Electronic Equipment directive

- ▶ Dispose of the packaging and product in a corresponding recycling centre. Do not dispose of the unit with domestic refuse. Do not burn the product.

homexpert™
by Honeywell

Rondostat
HR20UK
Electronic Radiator Controller

Ready to operate in three steps ...

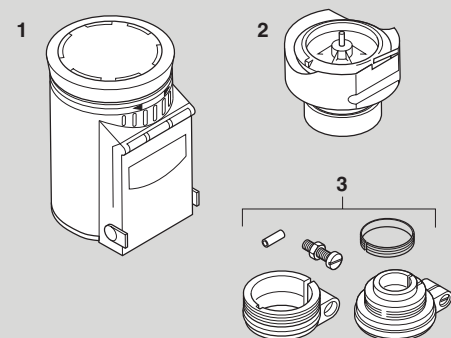
1. Inserting the batteries
2. Setting date and time
3. Mounting

Finished!

Checking after unpacking

The Rondostat packaging contains:

- Operating unit without batteries (1)
- Valve baseplate with adjustment dial (2)
- Bag with adapters and accessories (3)



3. Mounting

Rondostat can be mounted easily on all common radiator valves without causing any dirt or water staining. You no longer require the old thermostat head:

- ▶ Loosen the mounted thermostatic radiator valve.
- ▶ Pull the thermostat head from the valve.



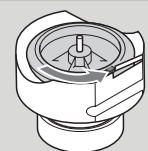
3.a Selecting the adapter

Adapters are required for some valve types:

- ▶ Before carrying out installation select a suitable adapter on the basis of the adapter table.
- If you require an adapter:
- ▶ Slide the adapter onto the valve and turn it until you feel it click into place.
- ▶ If the adaptor has a screw, tighten it to ensure a secure fit.

3.b Mounting the valve baseplate

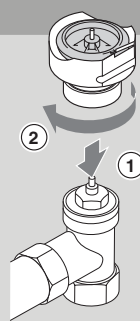
- ▶ Turn the adjustment dial of the valve baseplate anti-clockwise as far as the stop.



3.b (cont.)

- ▶ Place the valve baseplate on the valve or adapter, ensuring the flat surface points upwards.

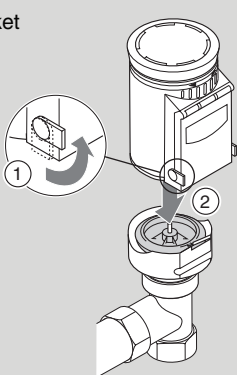
- ▶ Move the nut forwards and tighten it firmly by hand (do not use a tool).



3.c Attaching the operating unit

- ▶ Turn the retaining bracket at the operating unit upwards.

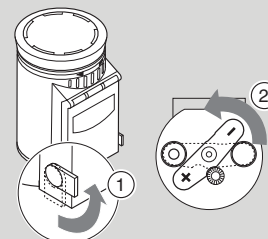
- ▶ Fit the operating unit onto the valve baseplate, pushing it on as far as the stop.



1. Inserting/changing batteries

- ▶ Turn the retaining bracket upwards until it stops and pull the operating unit from the valve baseplate.

- ▶ Turn the battery clamp at the rear of the operating unit anti-clockwise.



- ▶ Insert alkali-manganese mignon batteries (Type LR6 AA AM3). Ensure that the polarity is correct.
- ▶ Turn the battery clamp back, while pressing the two batteries in slightly.

The battery life of new batteries exceeds two years. The batteries need changing when **block** is displayed. All settings are retained when the batteries are replaced.

- ▶ Dispose of used batteries ecologically.

3.c (cont.)

- ▶ Turn the retaining bracket at the operating unit to the rear.

Your Rondostat is now ready for operation with the factory setting!



What is a thermostatic radiator valve (TRV)

...an explanation for householders

TRVs sense the air temperature around them and regulate the flow of water through the radiator which they are fitted to. They do not control the boiler.



They should be set at a level that gives you the room temperature you want. These settings may have to be different in each room, and you should set the TRVs to suit each room and then leave them to do their job.

Turning a TRV to a higher setting will not make the room heat up any faster. How quickly the room heats up depends on the boiler size and setting, and the radiator size. Turning the TRV to a lower setting will result in the room being controlled at a lower temperature, and saves energy.

TRVs need a free flow of air to sense the temperature, so they must not be covered by curtains or blocked by furniture.

TRVs cannot turn off the boiler when the house is warm. To do that, you will need a room thermostat as well. The radiator in the room with the room thermostat should not normally have a TRV, but, if it does, keep the TRV on the maximum setting and adjust the room thermostat as explained with the instructions.

Adapter table

Suitable for the following standard radiator thermostat valves

| Manufacturer | Adapter |
|---|--|
| Altecnic Drayton Heimeier Honeywell-Braukmann Junkers | Junkers Landis&Gyr 'Duodyr' MING Myson Pegler |
| Danfoss RA | Supplied |
| Danfoss RAV | Supplied |
| Danfoss RAVL | Supplied |

MK Electric a Honeywell Business,
Technical Sales and Services Department,
The Arnold Centre, Paycocke Road,
Basildon, Essex, SS14 3EA, England

If you require further information about our products,
call the helpline Monday to Friday 9am to 5pm on: 0845 604 2893

www.homexpertbyhoneywell.com EN2H-0356GE51R0510

