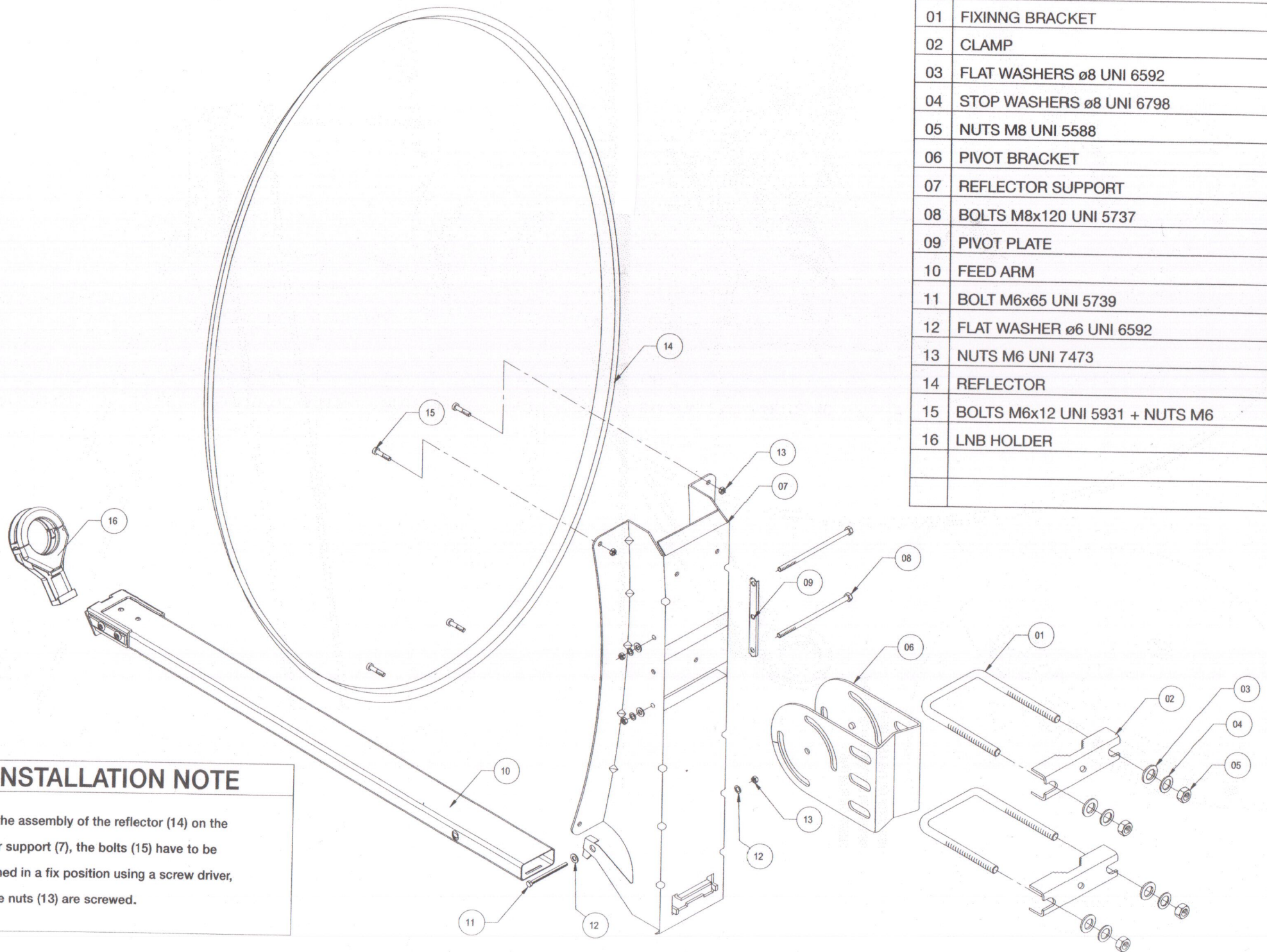
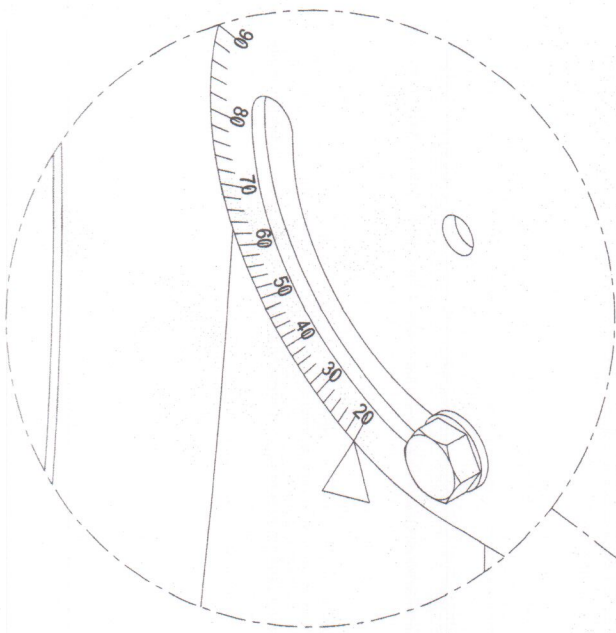


01	FIXINNG BRACKET	2
02	CLAMP	2
03	FLAT WASHERS ø8 UNI 6592	6
04	STOP WASHERS ø8 UNI 6798	6
05	NUTS M8 UNI 5588	6
06	PIVOT BRACKET	1
07	REFLECTOR SUPPORT	1
08	BOLTS M8x120 UNI 5737	2
09	PIVOT PLATE	1
10	FEED ARM	1
11	BOLT M6x65 UNI 5739	1
12	FLAT WASHER ø6 UNI 6592	2
13	NUTS M6 UNI 7473	5
14	REFLECTOR	1
15	BOLTS M6x12 UNI 5931 + NUTS M6	4
16	LNB HOLDER	1



INSTALLATION NOTE

During the assembly of the reflector (14) on the reflector support (7), the bolts (15) have to be maintained in a fix position using a screw driver, while the nuts (13) are screwed.



USE SCALE ON THE LEFT OF THE REFLECTOR SUPPORT (7) FOR COARSE ELEVATION POINTING

