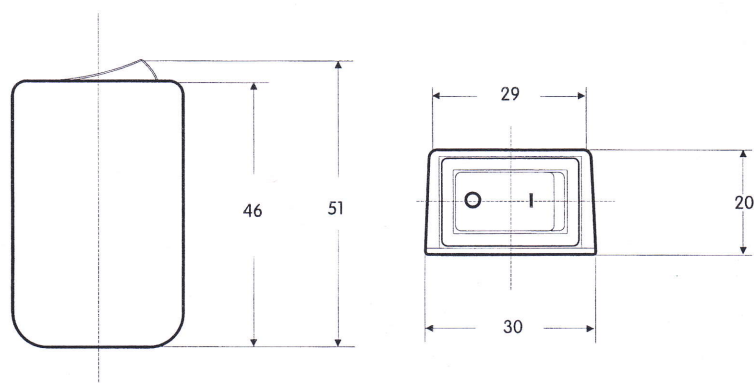
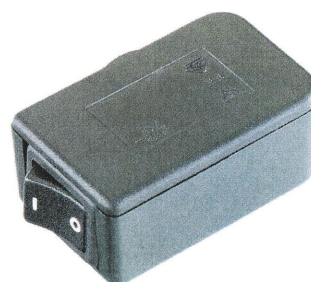

Data sheet

Article Description

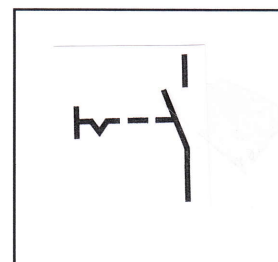
Line End Switch Type 8016

10 A, 250 V, 1-pole, on/off-switch, screwed housing and strain relief, screw terminals

Article picture



wiring diagram



<i>inter BÄR item no.</i>	<i>colour housing</i>	<i>rocker</i>
8016-001...	white	white
8016-002...	black	black

Technical modifications reserved!
Works at 230 V-mains must only be carried out by a specialist!