





## Servo-assisted 2/2-way diaphragm valve

- Servo-assisted diaphragm valve with an orifice up to DN50
- Fix-coupled diaphragm opens without differential pressure
- Vibration-proof, block screwed coil system
- Energy-saving power reduction for all DC variants



Product variants described in the data sheet may differ from the product presentation and description.

### Can be combined with

	<b>Type 2518</b> Cable Plug DIN EN 175301-803 - Form A	▶
	<b>Type 1087</b> Timer	▶

### Type description

Valve 0290 is a servo-assisted diaphragm valve of the S.EV series. The valve opens without differential pressure. The opening process is facilitated by the fix coupling of the diaphragm to the magnetic core. The integrated 'soft-kick' function ensures gentle opening. Depending on the actual applications, there are various diaphragm materials available. The range of bodies additionally includes stainless steel variants. The solenoid coils are encapsulated with a chemically resistant epoxy. 'Kick and drop' electronics are moulded into the coil of all DC variants to reduce electrical power consumption. In combination with a plug to DIN EN 175301-803 Form A, the valves satisfy protection class IP65 – and NEMA 4X when combined with a stainless steel body.

## Table of contents

<b>1. General technical data</b>	<b>3</b>
<b>2. Circuit functions</b>	<b>4</b>
<b>3. Materials</b>	<b>4</b>
3.1. Chemical Resistance Chart – Bürkert resistApp.....	4
3.2. Material specifications .....	4
<b>4. Dimensions</b>	<b>5</b>
4.1. Threaded version .....	5
4.2. Flange version according to DIN EN 1092 - 1 .....	5
<b>5. Performance specifications</b>	<b>6</b>
5.1. Power consumption .....	6
Standard version.....	6
Gas valve according to DIN EN 161 (variable code PO17).....	6
<b>6. Ordering information</b>	<b>6</b>
6.1. Bürkert eShop – Easy ordering and quick delivery.....	6
6.2. Bürkert product filter .....	6
6.3. Ordering chart.....	7
Brass body.....	7
Stainless steel body.....	7
Gas valve according to DIN EN 161 (variable code PO17).....	8
6.4. Ordering chart accessories.....	8
Cable plug Type 2518, form A acc. to DIN EN 175301 - 803 .....	8
Timer Type 1087, form A acc. to DIN EN 175301 - 803 .....	9

## 1. General technical data

Product characteristics	
Dimensions	Detailed information can be found in chapter "4. Dimensions" on page 5.
<b>Nominal size</b>	
Standard version	DN12... DN50
With approval according to DIN EN 161	DN12... DN25
<b>Materials</b>	
Body	Brass, stainless steel 1.4581
Coil	Epoxide
Inner valve parts	Brass, stainless steel
Seal	NBR, FKM, EPDM
Thermal insulation class coil	H
Performance data	
<b>Response times<sup>1)</sup></b>	
DN12...DN25	Opening: 100...250 ms Closing: 700...2000 ms
DN32...DN65	Opening: 100...250 ms Closing: 700...2000 ms
DN12...DN25 with approval according to DIN EN 161	Opening: 120...150 ms Closing: 130...250 ms
Pressure data [bar]	Overpressure to the atmospheric pressure
Electrical data	
Voltage	024/50, 024/DC, 024/UC, 110/50, 230/50
Voltage tolerance	± 10 %
Nominal operating mode	Continuous operation 100 % duty cycle (unless otherwise specified on the type plate)
Electrical connection	Cable plug according to DIN EN 175 301 - 803 Form A
Protection class	IP65 with cable plug
Medium data	
<b>Medium</b>	
NBR	Neutral media, compressed air, water, hydraulic oil, oils without additives
FKM	Per solutions, hot oils with additives
EPDM	Oil and grease-free media, e.g. hot water
NBR with approval according to DIN EN 161	Fuel gases of the 1st, 2nd and 3rd gas family
<b>Medium temperature<sup>2)</sup></b>	
NBR	- 10 °C... + 80 °C
FKM	0 °C... + 120 °C
EPDM	- 30 °C... + 120 °C
NBR with approval according to DIN EN 161	0 °C... + 80 °C
Environment and installation	
<b>Ambient temperature</b>	
Standard version	Max. +55 °C
With approval according to DIN EN 161	0 °C to +55 °C
Installation position	Any, preferably actuator face up
Approvals and certificates	
with approval according to DIN EN 161 (optional)	

1.) Measured with water at the valve outlet at 6 bar and + 20 °C. Öffnen: Druckaufbau 0...90 %, Schließen: Druckabbau 100...10 %

2.) Max. medium temperature for variants with high-performance electronics (encryption .../UC) is 90 °C.

## 2. Circuit functions

Circuit function	Description
	<b>Type: A, Solenoid valve</b> 2/2 way Servo-assisted Normally closed

## 3. Materials

### 3.1. Chemical Resistance Chart – Bürkert resistApp

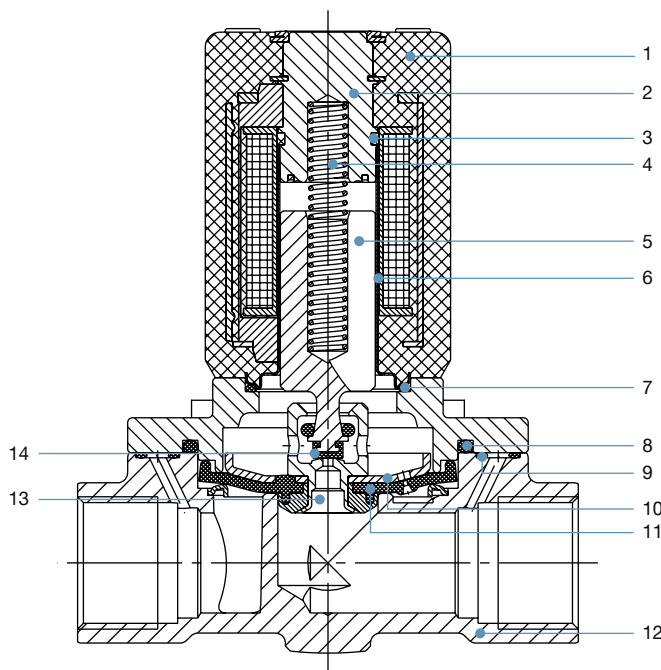


#### Bürkert resistApp – Chemical Resistance Chart

You want to ensure the reliability and durability of the materials in your individual application case? Verify your combination of media and materials on our website or in our resistApp.

[Start Chemical Resistance Check](#)

### 3.2. Material specifications



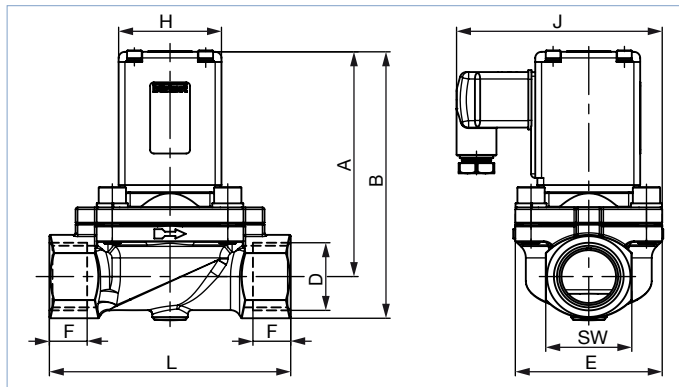
No.	Element	Material
1	Coil	Epoxyde
2	Stopper	1.4105 or 1.4113
3	Shading ring (AC variant only)	Brass variant: Copper Stainless steel variant: Silver
4	Spring	1.4310
5	Magnetic core	1.4105 or 1.4113
6	Core guide tube	1.4303
7	O-ring	NBR, FKM, EPDM
8	O-ring	NBR, FKM, EPDM
9	O-ring	NBR, FKM, EPDM
10	Diaphragm plate	Brass variant: CuZn37 Stainless steel variant: 1.4401
11	Diaphragm	NBR, FKM, EPDM
12	Body	Brass or stainless steel 1.4581
13	Pilot valve seat	Brass variant: MS Stainless steel variant: 1.4401
14	Seat seal	NBR, FKM, EPDM

## 4. Dimensions

### 4.1. Threaded version

**Note:**

- Dimensions in mm
- The dimensions D1 and F1 apply to G-threads
- The dimensions D2 and F2 apply to NPT-threads

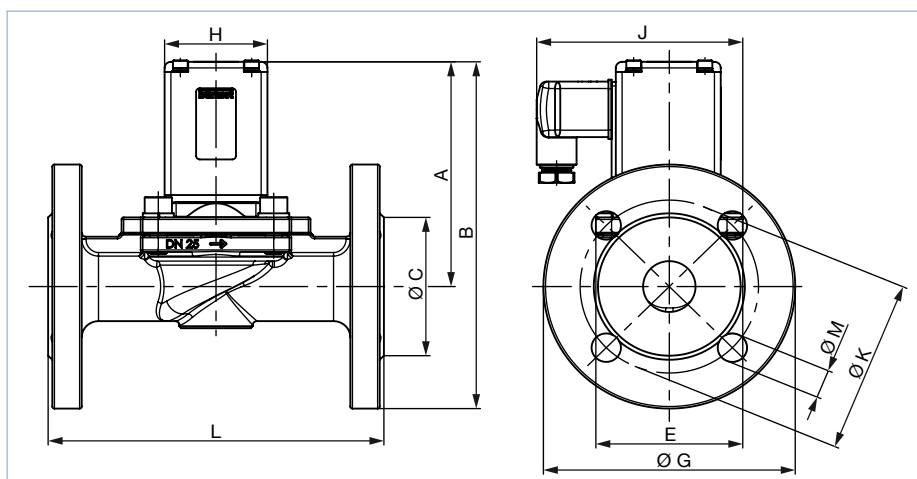


DN	A	B	G		NPT		E	L	SW	J	H
			D1	F1	D2	F2					
12	80	94	G ½	14	NPT ½	13,7	40	74,5	27	81	40
20	106	122	G ¾	16	NPT ¾	14	60	100	32	93	49
25	110,5	131	G 1	18	NPT 1	16,8	70	115	41	98	49
32	120	145	G 1¼	20	NPT 1¼	17,3	85	126	50	106	49
40	124	154	G 1½	22	NPT 1½	17,3	85	126	60	106	49
50	176	211	G 2	24	NPT 2	17,6	115	164	70	133	72
65	176	218,5	G 2½	27	NPT 2½	23,6	115	179	85	133	72

### 4.2. Flange version according to DIN EN 1092-1

**Note:**

- Flange versions on request
- Angaben in mm



DN	A	B	C	E	Ø G	L	M	K	J	H
25	110,5	170,5	68	70	120	160	14	85	98	49
32	120	190	78	85	140	180	18	100	106	49
40	126	201	88	85	150	200	18	110	106	49
50	176	258,5	102	115	165	230	18	125	133	72

## 5. Performance specifications

### 5.1. Power consumption

#### Standard version

Nominal size [mm]	K <sub>v</sub> value water P→A [m <sup>3</sup> /h]	Port connection A/B and P	Electrical power consumption				Weight [kg]
			Inrush		Operation		
			AC [VA]	UC [W]	AC [VA/W]	UC [W]	
12	1.8	G ½	100	80	25/10	6	1.0
20	6.5	G ¾	120	100	32/16	9	1.4
25	10.0	G 1	120	100	32/16	9	1.8
32	16.0	G 1¼	120	100	32/16	9	2.7
40	16.0	G 1½	120	100	32/16	9	3.1
50	38.0	G 2	–	30	–	30	6.5

#### Gas valve according to DIN EN 161 (variable code PO17)

Nominal size [mm]	K <sub>v</sub> value water P→A [m <sup>3</sup> /h]	Port connection A/B and P	Electrical power consumption				Weight [kg]
			Inrush		Operation		
			AC [VA]	UC [W]	AC [VA/W]	UC [W]	
12	1.8	G ½	100 to 120	80	25/10	6	1.0
20	6.5	G ¾		100	32/16	9	1.4
25	10.0	G 1		100	32/16	9	1.8

## 6. Ordering information

### 6.1. Bürkert eShop – Easy ordering and quick delivery



#### Bürkert eShop – Easy ordering and fast delivery

You want to find your desired Bürkert product or spare part quickly and order directly? Our online shop is available for you 24/7. Sign up and enjoy all the benefits.

[Order online now](#)

## 6.2. Bürkert product filter



### Bürkert product filter – Get quickly to the right product

You want to select products comfortably based on your technical requirements? Use the Bürkert product filter and find suitable articles for your application quickly and easily.

[Try out our product filter](#)

## 6.3. Ordering chart

### Brass body

#### Note:

All valves with cable plug.

Circuit function	Port connection	Orifice	K <sub>v</sub> value water [m <sup>3</sup> /h]	Pressure range [bar]	Weight [kg]	Article no. per voltage/frequency [V/Hz]			
						024/50	024/UC/DC <sup>1.)</sup>	230/50	110/50
<b>A, Solenoid valve</b> 2/2 way Servo-assisted Normally closed 	<b>NBR diaphragm</b>								
	G ½	12	1.8	0...16	0.7	043816	050294	044373	049500
	G ¾	20	6.5	0...16	1.4	058766	049518	045292	057127
	G 1	25	10.0	0...16	1.8	048171	053675	045293	053869
	G 1¼	32	16.0	0...12	2.6	085290	085291	052513	085292
	G 1½	40	16.0	0...12	3.0	085294	085295	085297	085296
	G 2	50	38.0	0...12	6.7	–	085299 <sup>3.)</sup>	085301 <sup>2.)</sup>	085300 <sup>2.)</sup>
	<b>FKM diaphragm</b>								
	G ½	12	1.8	0...16	0.7	048707	049229	042886	059240
	G ¾	20	6.5	0...16	1.4	053910	053674	049745	067973
	G 1	25	10.0	0...16	1.8	066270	066981	058627	067974
	G 1¼	32	16.0	0...12	2.6	120631	017457	087203	137478
	G 1½	40	16.0	0...12	3.0	228118	089619	087663	–
	G 2	50,0	38.0	0...12	6.7	–	120952 <sup>3.)</sup>	088551 <sup>2.)</sup>	–
	<b>EPDM diaphragm</b>								
	G ½	12	1.8	0...16	0.7	045931	049050	044816	049055
	G ¾	20	6.5	0...16	1.4	065033	058427	045290	069138
	G 1	25	10.0	0...16	1.8	054245	057155	045291	064887
	G 1¼	32	16.0	0...12	2.6	087204	072962	085259	076763
	G 1½	40	16.0	0...12	3.0	073290	079629	087732	–
	G 2	50	38.0	0...12	6.7	–	120104 <sup>3.)</sup>	077494 <sup>2.)</sup>	121308 <sup>2.)</sup>

1.) The coil for UC (universal current) has internal high-performance electronics. Please check that adequate performance is available (see "5. Performance specifications" on page 6).

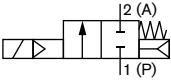
2.) The valve is supplied with a cable plug with integrated rectifier.

3.) DC only

## Stainless steel body

## Note:

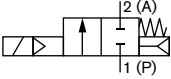
All valves with cable plug.

Circuit function	Port connection	Orifice	K <sub>v</sub> value water [m <sup>3</sup> /h]	Pressure range [bar]	Weight [kg]	Article no. per voltage/frequency [V/Hz]			
						024/50	024/UC/DC <sup>1)</sup>	230/50	110/50
<b>A, Solenoid valve</b> 2/2 way Servo-assisted Normally closed 	<b>NBR diaphragm</b>								
	G 1/2	12	1.8	0...16	0.7	043659 ☞	053595 ☞	043654 ☞	052358 ☞
	G 3/4	20	6.5	0...16	1.3	068338 ☞	018754 ☞	065121 ☞	–
	G 1	25	10.0	0...16	1.7	068510 ☞	061974 ☞	065414 ☞	067696 ☞
	<b>FKM diaphragm</b>								
	G 1/2	12	1.8	0...16	0.7	048708 ☞	049987 ☞	042888 ☞	058407 ☞
	G 3/4	20	6.5	0...16	1.3	065362 ☞	066381 ☞	064701 ☞	066594 ☞
	G 1	25	10.0	0...16	1.7	018121 ☞	065542 ☞	066125 ☞	069477 ☞
	<b>EPDM diaphragm</b>								
	G 1/2	12	1.8	0...16	0.7	045765 ☞	048606 ☞	043553 ☞	049053 ☞
	G 3/4	20	6.5	0...16	1.3	066460 ☞	059910 ☞	065025 ☞	025870 ☞
	G 1	25	10.0	0...16	1.7	059890 ☞	018348 ☞	059901 ☞	054044 ☞

## Gas valve according to DIN EN 161 (variable code PO17)

## Note:

All valves with cable plug.

Circuit function	Port connection	Orifice	K <sub>v</sub> value water [m <sup>3</sup> /h]	Pressure range [bar]	Weight [kg]	Article no. per voltage/frequency [V/Hz]			
						024/UC	230/50	230/UC	
<b>A, Solenoid valve</b> 2/2 way Servo-assisted Normally closed 	<b>NBR diaphragm</b>								
	G 1/2	12	1.8	0...5	0.7	280855 ☞	266512 ☞	281001 ☞	
	G 3/4	20	6.5		1.4	280877 ☞	266513 ☞	280878 ☞	
	G 1	25	10.0		1.8	280879 ☞	266515 ☞	280880 ☞	

## Other versions on request

 <b>Approval</b> UL, UR, CSA	 <b>Voltage</b> Further voltages on request
 <b>Process connection</b> Flange connection according to DIN EN 1092 - 1 (DN25 ... DN50)	


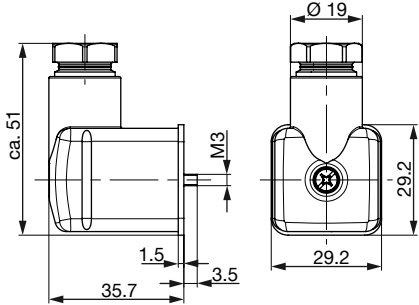






#### 6.4. Ordering chart accessories

##### Cable plug Type 2518, form A acc. to DIN EN 175301 - 803

**Note:**





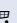


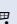
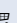
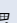
For other versions see data sheet **Type 2518** ▶.

Cable plug	Dimensions	Version	Voltage	Article no.
		Without circuitry (AC/DC)	0...250 V AC/DC	314802 
		With LED (AC/DC)	12...24 V AC/DC	314812 
		With LED and varistor (AC/DC)	12...24 V AC/DC	314820 
		With rectifier, LED and varistor	12...24 V AC/DC	314816 

##### Timer Type 1087, form A acc. to DIN EN 175301 - 803

**Note:**

For more information on the timer, see data sheet **Type 1087** ▶.

Timer	Approval	Product code	Voltage range	Article no.
	-	1087-A-BCH-UC-28	10...30 V AC/DC	348828 
	-	1087-A-BDK-UC-28	24...240 V AC/DC	348829 
	cURus	1087-A-BCH-UC-28*PU01	10...30 V AC/DC	348906 
	cURus	1087-A-BDK-UC-28*PU01	24...240 V AC/DC	348907 
	-	1087-A-BFW-UC-29	10...48 V AC/DC	348830 
	-	1087-A-BDX-UC-29	110...240 V AC/DC	348831 
	cURus	1087-A-BFW-UC-29*PU01	10...48 V AC/DC	348908 
	cURus	1087-A-BDX-UC-29*PU01	110...240 V AC/DC	348909 

# Bürkert – Close to You

For up-to-date addresses  
please visit us at  
[www.burkert.com](http://www.burkert.com)

DTS 1000024859 EN Version: T Status: RL (released | freigegeben | validé) printed: 01.10.2020

