





2/2 or 3/2 way TwinPower Rocker-Solenoid Valve with separating diaphragm

- 22 mm ultra compact design with orifices up to DN 3.0
- Isolating diaphragm for high chemical resistance
- Circuit function NC, NO and 3 way universal
- Back pressure tightness via rocker principle
- Minimal internal volume with excellent cleanability



Product variants described in the data sheet may differ from the product presentation and description.

Can be combined with

- | | |
|---|--|
|  | Type 2505 ▶
10 mm socket for Bürkert small solenoid valves |
|  | Type 2507 ▶
Cable plug - industry standard plug Form B |

Type description

Direct acting medium separated 2/2 and 3/2 way Rocker Solenoid Valve for control of aggressive fluids and gases in analytical medical applications, the food industry, and also the chemical industry for dosing, filling, mixing and distribution.

The medium is in contact with fluid housing and seal material solely through the isolating diaphragm. This valve with the new TwinPoweractuator, robust screw-in connection and 22 mm installation width, will fulfil the highest requirements. The established rocker solenoid technology is characterized through full back pressure tightness, good rinsing capability and low internal volume. Type 6628 is available in different technical versions and by virtue of several body options, it offers a perfect adaption in fluid applications.

Table of contents

1. General technical data	3
2. Product versions	4
3. Circuit functions	4
4. Materials	5
4.1. Chemical Resistance Chart – Bürkert resistApp.....	5
4.2. Material specifications	5
5. Dimensions	6
5.1. Flange version with connector plug Form B	6
5.2. Bürkert flange interface (22 x 35 mm).....	6
5.3. Threaded version with rectangular plug Type 2505.....	7
5.4. Hose connector with flying leads.....	8
5.5. Hose connector with rectangular plug Type 2505	9
6. Ordering information	9
6.1. Bürkert eShop – Easy ordering and quick delivery.....	9
6.2. Bürkert product filter	10
6.3. Ordering chart.....	10
6.4. Ordering chart accessories.....	12
Rectangular cable plug Type 2505	12
Cable plug Type 2507 acc. to Industrial standard Form B	12
Multiple manifolds for Bürkert flange interface 3 way	13

1. General technical data

Product properties	
Dimensions	Detailed information can be found in chapter "5. Dimensions" on page 6.
Materials	
Seal	FFKM, FKM or EPDM
Fluid body	PEEK, PPS or PVDF (PP on request)
Internal volume	Bürkert-Flange: from 280 µl Hose connector: from 500 µl Threaded body: from 500 µl
Orifice	DN 2.0 (Vac...5 bar) DN 3.0 (Vac...3 bar)
Manual override	on request
Circuit function	Detailed information can be found in chapter "3. Circuit functions" on page 4.
Electrical data	
Power supply	12 V DC, 24 V DC (other voltages on request)
Voltage tolerance ¹⁾	± 10 %
Power consumption	5 W (internal power reduction on request)
Performance data	
Duty cycle	Continuous operation 100 %
Response times ²⁾	Opening: approx. 25 ms (pressure rise 0...10 %) Closing: approx. 25 ms (pressure drop 100...90 %)
Medium data	
Medium	Resistant to neutral and aggressive liquids and gases (see chapter "4.1. Chemical Resistance Chart – Bürkert resistApp" on page 5)
Medium temperature	FKM: 0 °C...+55 °C FFKM: +10 °C...+55 °C EPDM: -10 °C...+55 °C
Viscosity	Max. approx. 21 mm ² /s
Product connections	
Port connection	Bürkert-Flange (22 x 35 mm) G 1/8" NPT 1/8" Hose connector 4 mm (5/32") Push-in connector (tube's external diameter 6 mm)
Electrical connection	PFA single flying leads, 0.5 mm ² , AWG 20, length 500 mm Tag connectors according to DIN 43650 Form B for cable plug Type 2507 ▶ Rectangular plug Type 2505 ▶
Environment and installation	
Installation	As required, preferably with actuator upright
Protection class	IP54 with cable or cable plug Type 2507 ▶ IP30 with rectangular plug Type 2505 ▶
Ambient temperature	FKM: 0 °C...+55 °C FFKM: +10 °C...+55 °C EPDM: -10 °C...+55 °C
Minimum bending radius for flying leads version	Single bending: 5 mm Multiple bending: 8 mm

1.) Max. allowed ripple

2.) Measurement at the valve outlet at 2 bar and 20 °C according to DIN ISO 12238:2001

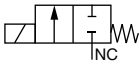
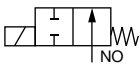
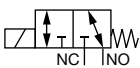
2. Product versions



3. Circuit functions

Note:

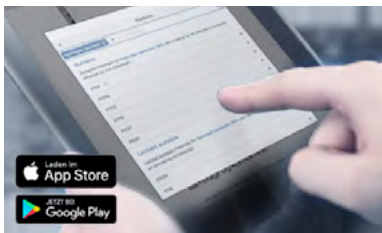
Other circuit functions on request.

Circuit functions	Description
	<p>Type: A, solenoid valve 2/2 way Direct-acting Normally closed</p>
	<p>Type: B, solenoid valve 2/2 way Direct-acting Normally open</p>
	<p>Type: T, solenoid valve 3/2 way Direct-acting Flow direction optional</p>

DTS 1000170656 EN Version: H Status: RL (released | freigegeben | validé) printed: 27.10.2020

4. Materials

4.1. Chemical Resistance Chart – Bürkert resistApp

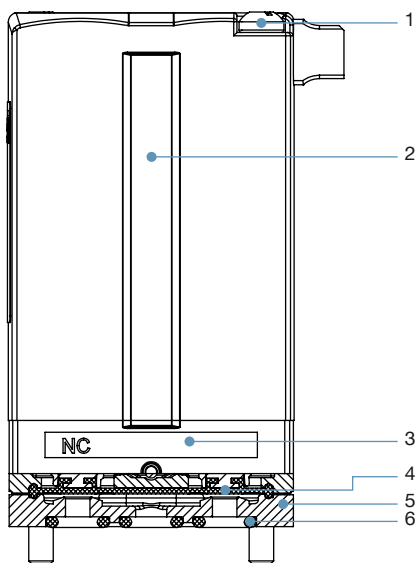


Bürkert resistApp – Chemical Resistance Chart

You want to ensure the reliability and durability of the materials in your individual application case? Verify your combination of media and materials on our website or in our resistApp.

[Start Chemical Resistance Check](#)

4.2. Material specifications



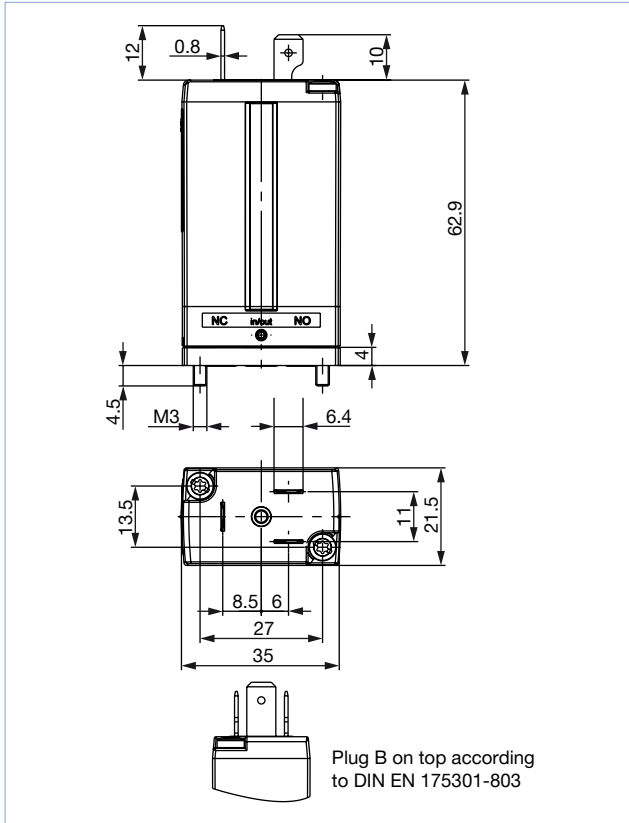
No.	Element	Material
1	Fixing screw M3 (from end to end)	Stainless steel
2	Coil	Epoxy
3	Valve body	PPS
4	Diaphragm (medium contact)	FFKM, FKM or EPDM
5	Fluid housing (medium contact)	PEEK, PPS or PVDF
6	Flange seal (medium contact)	FFKM, FKM or EPDM

5. Dimensions

5.1. Flange version with connector plug Form B

Note:

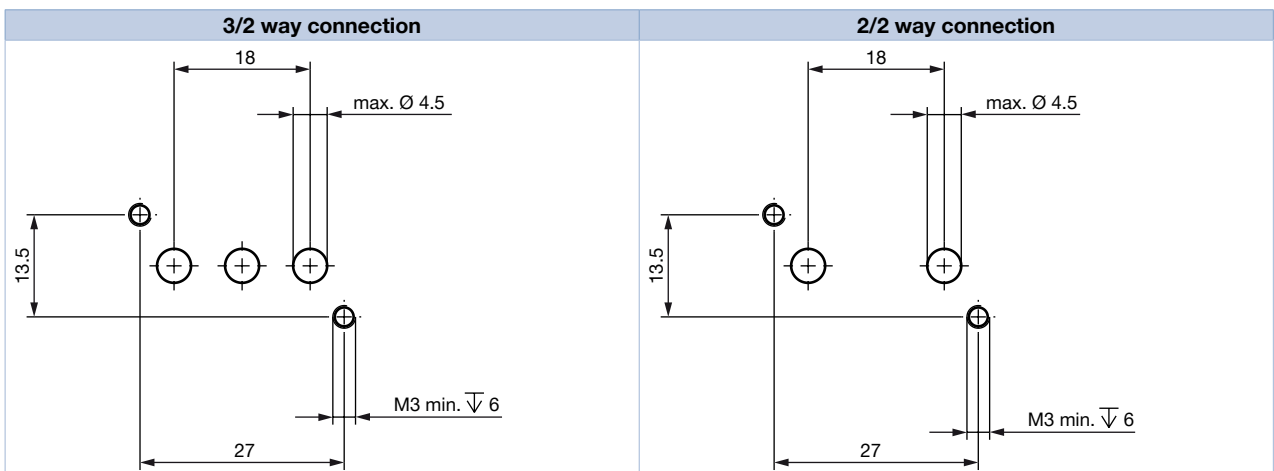
Dimensions in mm



5.2. Bürkert flange interface (22 x 35 mm)

Note:

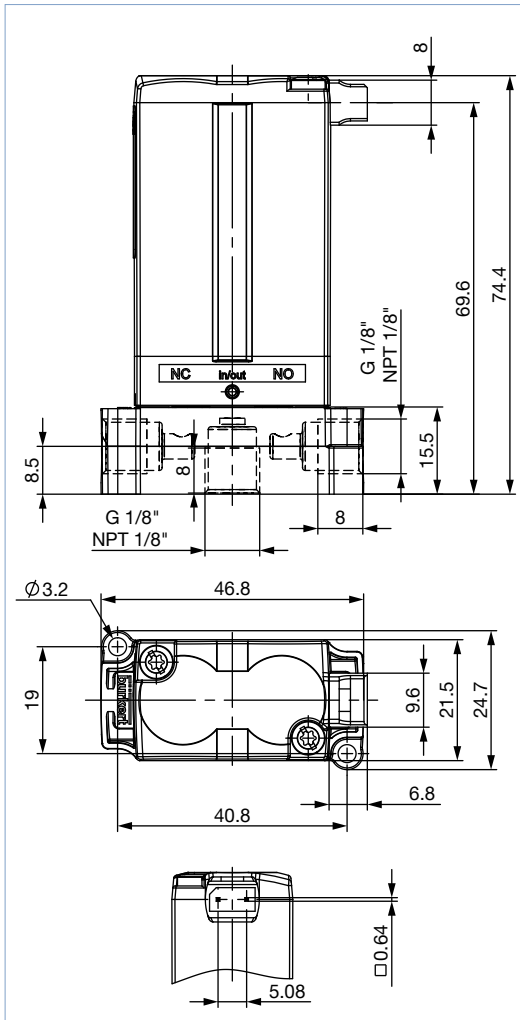
Dimensions in mm



5.3. Threaded version with rectangular plug Type 2505

Note:

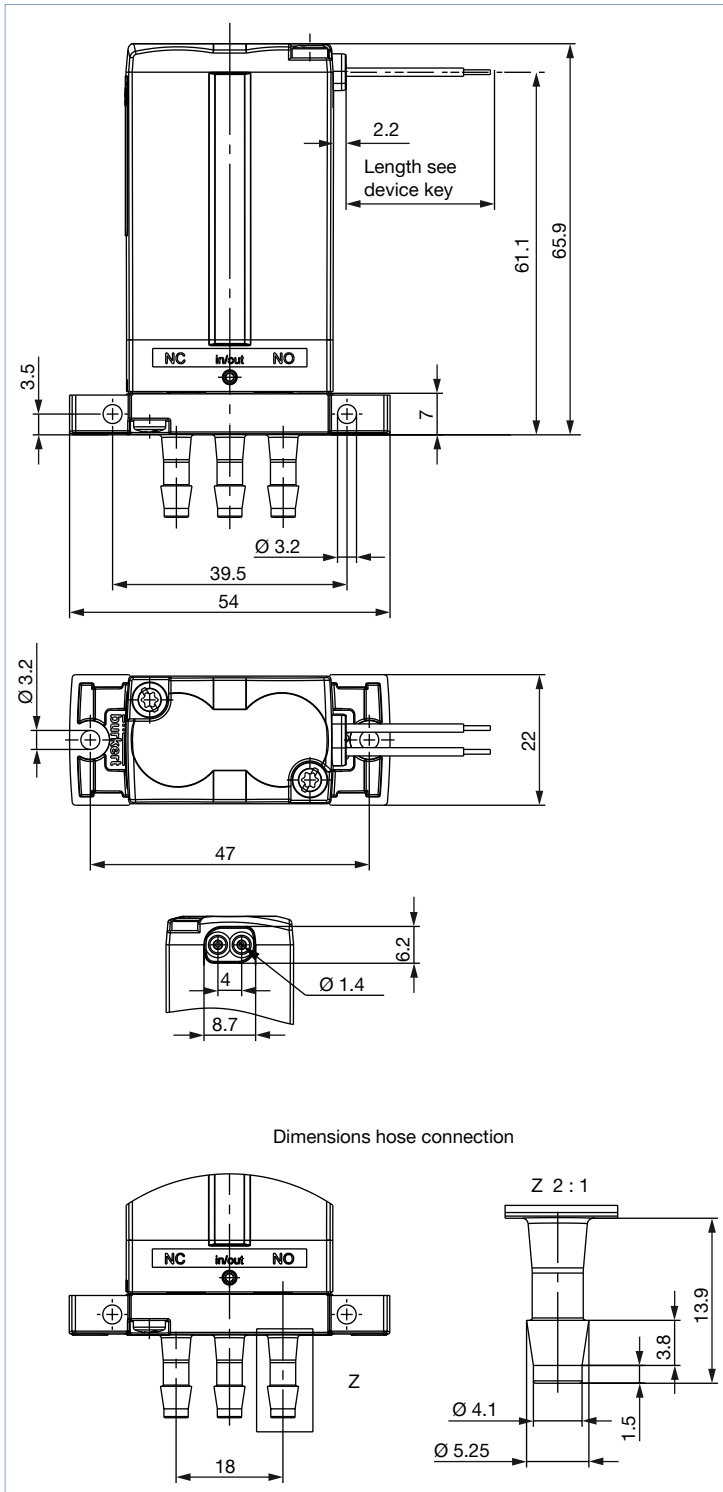
Dimensions in mm



5.4. Hose connector with flying leads

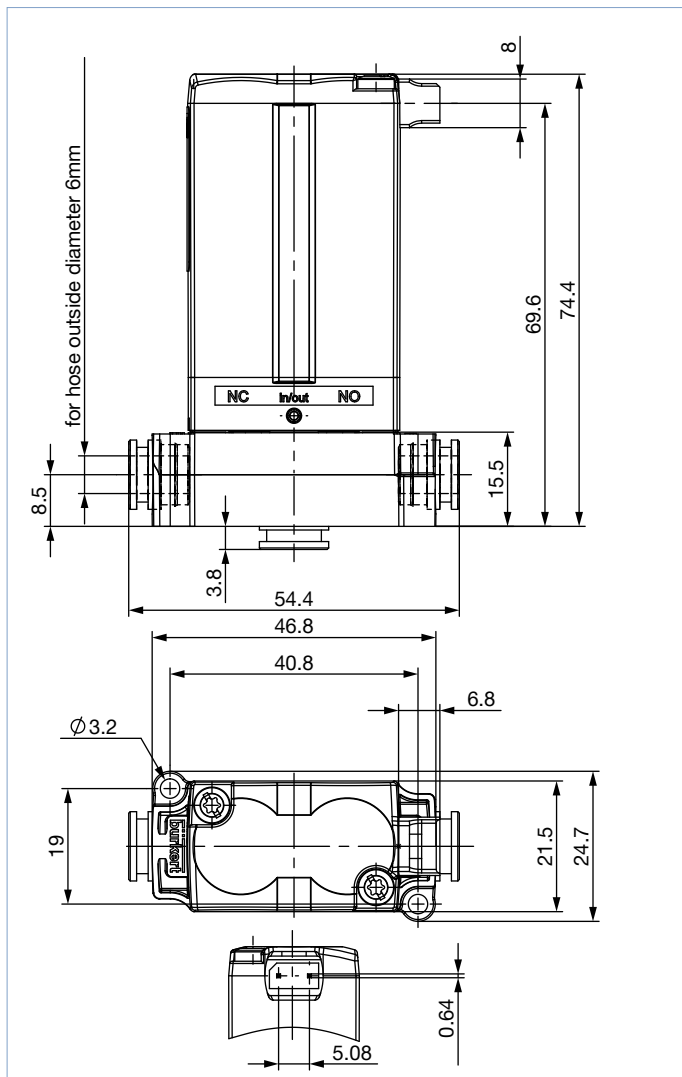
Note:

Dimensions in mm



5.5. Hose connector with rectangular plug Type 2505

Note:
Dimensions in mm



6. Ordering information

6.1. Bürkert eShop – Easy ordering and quick delivery




Bürkert eShop – Easy ordering and fast delivery

You want to find your desired Bürkert product or spare part quickly and order directly? Our online shop is available for you 24/7. Sign up and enjoy all the benefits.

[Order online now](#)

6.2. Bürkert product filter



Bürkert product filter – Get quickly to the right product

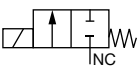
You want to select products comfortably based on your technical requirements? Use the Bürkert product filter and find suitable articles for your application quickly and easily.

[Try out our product filter](#)

6.3. Ordering chart

Note:

- Other versions on request.
- 2 x fixing screws M3 x 65 for flange versions are included in the delivery.
- Connectors for rectangular plug and tag connector Form B are not included in the delivery and must be ordered separately, see “6.4. Ordering chart accessories” on page 12

Circuit function	Orifice	Port connection	K _v value water ¹⁾	Q _{Nm} value air ²⁾	Pressure range	Max. pressure difference	Seal material	Fluid body material	Electrical connection	Voltage/ Frequency	Article no.
	[mm]									[m ³ /h]	
A, solenoid valve 2/2 way Direct-acting Normally closed 	2	Bürkert flange	0.10	110	Vac...5	5	EPDM	PPS	Flying leads, 0.5 m	24/DC	251614 ☞
									Rectangular plug		250857 ☞
							FFKM	PEEK	Flying leads, 0.5 m	24/DC	234350 ☞
									Rectangular plug		235315 ☞
							FKM	PPS	Flying leads, 0.5 m	24/DC	251620 ☞
									Rectangular plug		251618 ☞
	3	Bürkert flange	0.17	180	Vac...3	3	EPDM	PPS	Flying leads, 0.5 m	12/DC 24/DC	241727 ☞
									Rectangular plug		242030 ☞
							FFKM	PEEK	Flying leads, 0.5 m	12/DC 24/DC	246199 ☞
									Rectangular plug		251643 ☞
							PVDF	PPS	Flying leads, 0.5 m	12/DC 24/DC	235316 ☞
									Rectangular plug		230304 ☞
		FKM	PPS	Flying leads, 0.5 m	12/DC 24/DC	235317 ☞					
				Rectangular plug		270082 ☞					
		G 1/8"	EPDM	PEEK	PPS	PPS	PPS	Flying leads, 0.5 m	12/DC 24/DC	270081 ☞	
								Rectangular plug		270083 ☞	
			FFKM	PEEK	PPS	PPS	PPS	PPS	Flying leads, 0.5 m	12/DC 24/DC	246382 ☞
									Rectangular plug		251624 ☞
	FKM		PEEK	PPS	PPS	PPS	PPS	Flying leads, 0.5 m	12/DC 24/DC	248017 ☞	
								Rectangular plug		238616 ☞	
FKM	PEEK	PPS	PPS	PPS	PPS	Flying leads, 0.5 m	12/DC 24/DC	236170 ☞			
						Rectangular plug		251644 ☞			
Push-in connector Hose connector	EPDM	PEEK	PPS	PPS	PPS	Flying leads, 0.5 m	12/DC 24/DC	235319 ☞			
						Rectangular plug		242340 ☞			
	FFKM	PEEK	PPS	PPS	PPS	PPS	Flying leads, 0.5 m	12/DC 24/DC	238615 ☞		
							Rectangular plug		251650 ☞		
FKM	PEEK	PPS	PPS	PPS	PPS	Flying leads, 0.5 m	12/DC 24/DC	251613 ☞			
						Rectangular plug		235318 ☞			
FKM	PEEK	PPS	PPS	PPS	PPS	Flying leads, 0.5 m	12/DC 24/DC	251628 ☞			
						Rectangular plug		251628 ☞			

DTS 1000170656 EN Version: H Status: RL (released | freigegeben | valide) printed: 27.10.2020

Circuit function	Orifice	Port connection	K _v value	Q _{Nn} value	Pressure range	Max. pressure difference	Seal material	Fluid body material	Electrical connection	Voltage/ Frequency	Article no.
	[mm]		water ^{1.)} [m ³ /h]	air ^{2.)} [l/min]						[bar]	
B, solenoid valve 2/2 way Direct-acting Normally open 	3	Bürkert flange	0.17	180	Vac...3	3	FFKM	PEEK	Flying leads, 0.5 m	24/DC	251686 ☒
T, solenoid valve 3/2 way Direct-acting Flow direction optional Normally closed 	2	Bürkert flange	0.10	110	Vac...5	5	EPDM	PPS	Flying leads, 0.5 m	24/DC	241889 ☒
									Rectangular plug		250859 ☒
							FFKM	PEEK	Flying leads, 0.5 m	24/DC	234340 ☒
									Rectangular plug		235320 ☒
							FKM	PPS	Flying leads, 0.5 m	24/DC	251630 ☒
									Rectangular plug		251629 ☒
	3	Bürkert flange	0.17	180	Vac...2	2	EPDM	PPS	Flying leads, 0.5 m	12/DC	241726 ☒
									Rectangular plug	24/DC	245256 ☒
									Plug Form B		251616 ☒
											251645 ☒
							FFKM	PEEK	Flying leads, 0.5 m	12/DC	235321 ☒
									Rectangular plug	24/DC	230305 ☒
						235322 ☒					
						270079 ☒					
						24/DC	270078 ☒				
							270080 ☒				
						12/DC	251633 ☒				
						24/DC	251635 ☒				
					251634 ☒						
					251684 ☒						
	G 1/8"				EPDM	PEEK	Flying leads, 0.5 m		245205 ☒		
							Plug Form B		251647 ☒		
					FFKM		Flying leads, 0.5 m		235325 ☒		
					FKM				251638 ☒		
							Plug Form B		251649 ☒		
	Push-in connector						PPS	Flying leads, 0.5 m		251685 ☒	
	Hose connector						EPDM	PEEK		251617 ☒	
							FFKM			235323 ☒	
							FKM			251637 ☒	

1.) Flow rate value for water, measured at +20 °C, 1 bar to atmospheric pressure at the valve inlet and free outlet.

2.) Measured at +20 °C, 6 bar pressure at valve inlet and 1 bar pressure difference.

Further versions on request	
Electrical connection <ul style="list-style-type: none"> Cable plug connection acc. to Form B (Industrial standard) Flying leads 	Material Other body and seal materials on request







DTS 1000170656 EN Version: H Status: RL (released | freigegeben | validé) printed: 27.10.2020

6.4. Ordering chart accessories

Rectangular cable plug Type 2505

Note:




For further rectangular cable plug versions see separate data sheet [Type 2505](#) ▶.

Accessories	Description	Article no.
	Rectangular cable plug Type 2505 with 3 m cable	252572 
	Rectangular cable plug Type 2505 with 5 m cable	255194 
	Rectangular cable plug Type 2505 with 300 mm flying leads	644068 
	Rectangular cable plug Type 2505 with 600 mm flying leads	162144 

Cable plug Type 2507 acc. to Industrial standard Form B

Note:

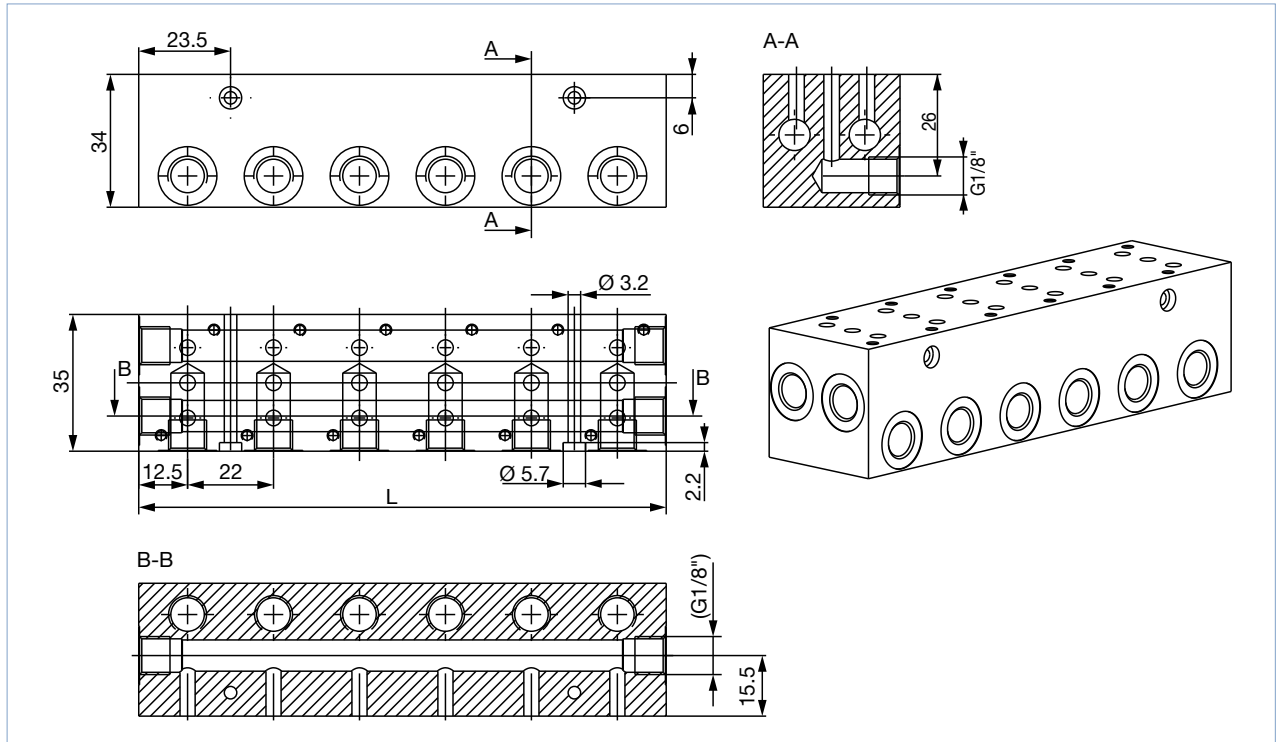
For further cable plug versions see separate data sheet [Type 2507](#) ▶.

	Description	Article no.
	Cable plug Type 2507 according to Industrial standard Form B, without circuitry, 0...250 V AC/DC	423845 
	Cable plug Type 2507 according to Industrial standard Form B, with LED, 24 V AC/DC	423849 

Multiple manifolds for Bürkert flange interface 3 way

Note:

- Dimensions in mm
- Port connection G 1/8"
- Beware of screw protrusion!
- Material anodized aluminium (black)
- Other versions on request



Manifold	L [mm]	Article no.
2-fold	47	669571
3-fold	69	672633
4-fold	91	669572
5-fold	113	672661
6-fold	135	669570
10-fold	223	672660

Bürkert – Close to You

For up-to-date addresses
please visit us at
www.burkert.com

DTS 1000170656 EN Version: H Status: RL (released | freigegeben | validé) printed: 27.10.2020

