

TR5V

SPECIFICATION

FILE NUMBER: T810S-T001A

DATE: 2004/6/25

■ CONTACT DATA

Contact Form	1C	
Contact Material	Silver Alloy	
Contact Ratings	2A 120VAC/2A 24VDC	
Max Switching Voltage	120VAC/60VDC	
Max Switching Current	2A	
Max Switching Power	240VA/48W	
Contact Resistance	100m Ω Max	at 6VDC 1A
Life Expectancy Electrical	100, 000	Operations(at30Operations/minute)
Mechanical	10, 000, 000	Operations

■ GENERAL DATA

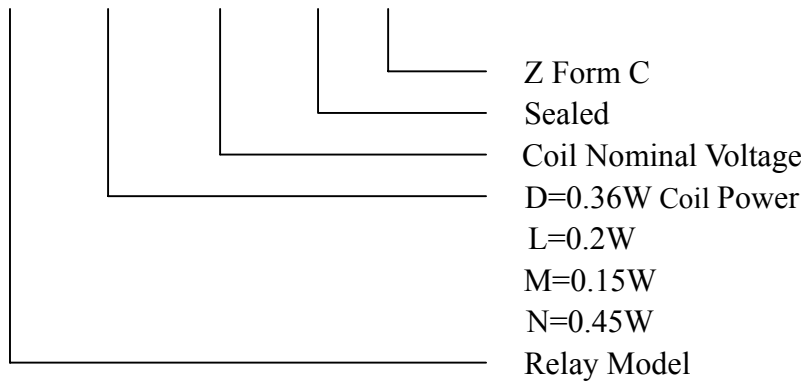
Insulation Resistance	1000M Ω Min at500VDC	
Dielectric Strength Between Open Contacts	400VAC(for one minute)	
Between Contacts and coil	1000VAC(for one minute)	
Operate Time	4ms Max	
Release Time	3ms Max	
Temperature Range	-30 $^{\circ}$ C \sim +70 $^{\circ}$ C	
Shock Resistance	Operating Extremes	10G
	Damage Limits	100G
Vibration Resistance	10-55Hz Double amplitude of 1.5mm	
Humidity	35%-85%RH	
Weight	Approx. 2.2g	
Safety Standard	UL:E173485	

■ COIL DATA

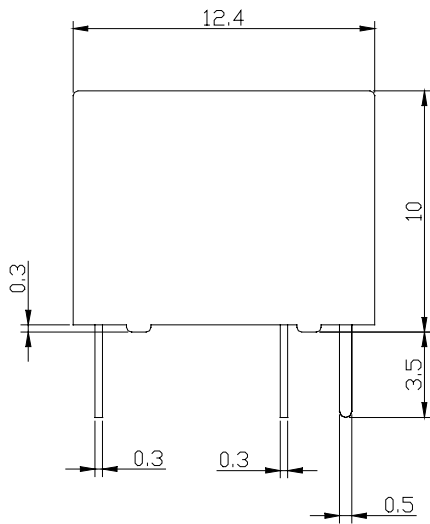
Nominal Voltage (VDC)	Coil Resistance at20 $^{\circ}$ C \pm 10% (Ω)		Max Operate Voltage (VDC)		Min Release Voltage (VDC)	Max Applicable Voltage (VDC)
	0.2w	0.36w	0.2w	0.36w		
3	45	25	2. 25	2. 1	0. 3	3. 9
5	125	69. 4	3. 75	3. 5	0. 5	6. 5
6	180	100	4. 5	4. 2	0. 6	7. 8
9	405	225	6. 75	6. 3	0. 9	11. 7
12	720	400	9	8. 4	1. 2	15. 6
24	2880	1600	18	16. 8	2. 4	31. 2

ORDERING CODE

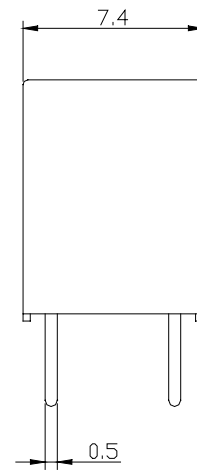
TR5V D—12VDC—S—Z



OVERALL AND MOUNTING DIMENSIONS



安装图



接线图

