

TR5V

SPECIFICATION

FILE NUMBER: T810S-T001A

DATE: 2004/6/25

■ CONTACT DATA

Contact Form	1C	
Contact Material	Silver Alloy	
Contact Ratings	2A 120VAC/2A 24VDC	
Max Switching Voltage	120VAC/60VDC	
Max Switching Current	2A	
Max Switching Power	240VA/48W	
Contact Resistance	100mΩ Max	at 6VDC 1A
Life Expectancy Electrical	100, 000	Operations(at30Operations/minute)
Mechanical	10, 000, 000	Operations

■ GENERAL DATA

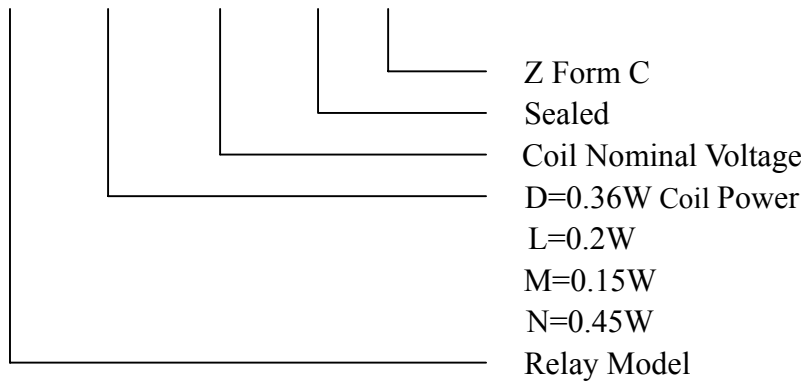
Insulation Resistance	1000MΩ Min at500VDC	
Dielectric Strength Between Open Contacts	400VAC(for one minute)	
Between Contacts and coil	1000VAC(for one minute)	
Operate Time	4ms Max	
Release Time	3ms Max	
Temperature Range	-30°C ~ +70°C	
Shock Resistance	Operating Extremes	10G
	Damage Limits	100G
Vibration Resistance	10-55Hz Double amplitude of 1.5mm	
Humidity	35%-85%RH	
Weight	Approx. 2.2g	
Safety Standard	UL:E173485	

■ COIL DATA

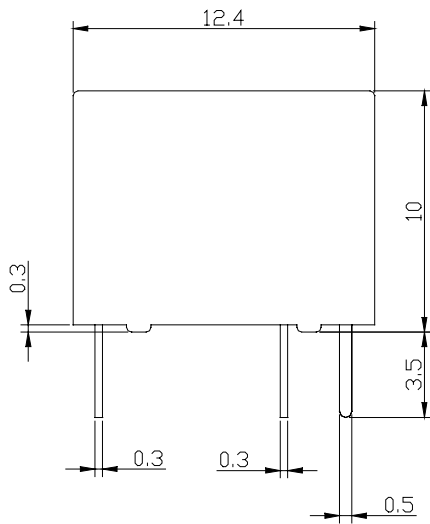
Nominal Voltage (VDC)	Coil Resistance at20°C±10% (Ω)		Max Operate Voltage (VDC)		Min Release Voltage (VDC)	Max Applicable Voltage (VDC)
	0.2w	0.36w	0.2w	0.36w		
3	45	25	2.25	2.1	0.3	3.9
5	125	69.4	3.75	3.5	0.5	6.5
6	180	100	4.5	4.2	0.6	7.8
9	405	225	6.75	6.3	0.9	11.7
12	720	400	9	8.4	1.2	15.6
24	2880	1600	18	16.8	2.4	31.2

ORDERING CODE

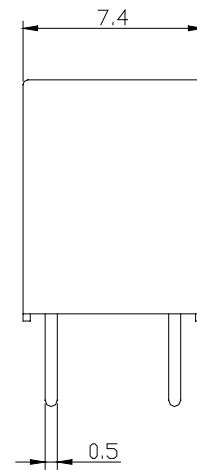
TR5V D—12VDC—S—Z



OVERALL AND MOUNTING DIMENSIONS



安装图



接线图

